

**ROSEMOUNT AEROSPACE INC.  
COMPONENT MAINTENANCE MANUAL  
SERIES 0514K**

TO: HOLDERS OF ELECTRONIC JUNCTION BOX (ROSEMOUNT AEROSPACE INC. PART NUMBER  
SERIES 0514K) COMPONENT MAINTENANCE MANUAL WITH ILLUSTRATED PARTS LIST

REVISION NO. 3 DATED JULY 1/2003  
HIGHLIGHTS

Pages that have been revised are outlined below together with the highlights of the revision. Please delete the affected pages and enter Revision No. 3 dated July 1, 2003.

| <b>PARAGRAPH</b>            | <b>DESCRIPTION OF CHANGE</b>   |
|-----------------------------|--|
| Record of Revisions         | Changed to reflect new revision date.  |
| Testing and Fault Isolation | Revised schematic wiring diagram titles.   |
| Cleaning                    | Revised Cleaning procedures.   |
| Illustrated Parts List      | Added Equipment Modifications table.<br>Added Numerical Index table.<br>Revised IPL Table 1. |



**COMPONENT MAINTENANCE MANUAL  
WITH  
ILLUSTRATED PARTS LIST**

**ELECTRONIC JUNCTION BOX**

**0514K1, 0514K2, 0514K3, 0514K4**















**ROSEMOUNT AEROSPACE INC.  
COMPONENT MAINTENANCE MANUAL  
SERIES 0514K**

**LIST OF EFFECTIVE PAGES**

| SUBJECT                       | PAGE     | DATE     |
|-------------------------------|----------|----------|
| Title Page                    | T-1      | Jul 1/03 |
| Record of Revisions           | RR-1     | Jul 1/03 |
| Record of Temporary Revisions | RTR-1    | Apr 1/02 |
| Service Bulletin List         | SBL-1    | Apr 1/02 |
| List of Effective Pages       | LEP-1    | Jul 1/03 |
|                               | LEP-2    | Jul 1/03 |
|                               | LEP-3    | Apr 1/02 |
|                               | LEP-4    | Jul 1/03 |
|                               | LEP-5    | Apr 1/02 |
|                               | LEP-6    | Blank    |
| Table of Contents             | T/C-1    | Apr 1/02 |
|                               | T/C-2    | Jul 1/03 |
|                               | T/C-3    | Jul 1/03 |
|                               | T/C-4    | Jul 1/03 |
| Introduction                  | INTRO-1  | Apr 1/02 |
| Description and Operation     | 1        | Jul 1/03 |
|                               | 2        | Apr 1/02 |
|                               | 3        | Apr 1/02 |
|                               | 4        | Blank    |
| Testing and Fault Isolation   | 101      | Apr 1/02 |
|                               | 102      | Apr 1/02 |
|                               | 103      | Apr 1/02 |
|                               | 104      | Apr 1/02 |
|                               | 105      | Apr 1/02 |
|                               | 106      | Jul 1/03 |
|                               | 107      | Apr 1/02 |
|                               | 108      | Apr 1/02 |
|                               | 109      | Apr 1/02 |
|                               | 110      | Apr 1/02 |
|                               | 111      | Apr 1/02 |
|                               | 112      | Apr 1/02 |
|                               | 113      | Jul 1/03 |
|                               | 114      | Apr 1/02 |
|                               | 115      | Jul 1/03 |
|                               | 116      | Apr 1/02 |
|                               | 117      | Apr 1/02 |
|                               | 118      | Jul 1/03 |
|                               | 119      | Apr 1/02 |
| 120                           | Apr 1/02 |          |
| 121                           | Apr 1/02 |          |
| 122                           | Apr 1/02 |          |

**ROSEMOUNT AEROSPACE INC.  
COMPONENT MAINTENANCE MANUAL  
SERIES 0514K**

**LIST OF EFFECTIVE PAGES (continued)**

| SUBJECT                                 | PAGE     | DATE     |
|---|----------|----------|
| Testing and Fault Isolation (continued) | 123      | Apr 1/02 |
|   | 124      | Jul 1/03 |
|   | 125      | Apr 1/02 |
|   | 126      | Apr 1/02 |
|   | 127      | Jul 1/03 |
|   | 128      | Jul 1/03 |
|   | 129      | Apr 1/02 |
|   | 130      | Jul 1/03 |
|   | 131      | Apr 1/02 |
|   | 132      | Apr 1/02 |
|   | 133      | Jul 1/03 |
|   | 134      | Jul 1/03 |
|   | 135      | Apr 1/02 |
|   | 136      | Apr 1/02 |
|   | 137      | Apr 1/02 |
|   | 138      | Apr 1/02 |
|   | 139      | Apr 1/02 |
|   | 140      | Apr 1/02 |
|   | 141      | Apr 1/02 |
|   | 142      | Apr 1/02 |
|   | 143      | Apr 1/02 |
|   | 144      | Apr 1/02 |
|   | 145      | Jul 1/03 |
|   | 146      | Apr 1/02 |
|   | 147      | Apr 1/02 |
|   | 148      | Jul 1/03 |
|   | 149      | Apr 1/02 |
|   | 150      | Apr 1/02 |
|   | 151      | Apr 1/02 |
|   | 152      | Apr 1/02 |
|   | 153      | Apr 1/02 |
|   | 154      | Apr 1/02 |
|   | 155      | Apr 1/02 |
|   | 156      | Apr 1/02 |
|   | 157      | Apr 1/02 |
|   | 158      | Jul 1/03 |
|   | 159      | Apr 1/02 |
|   | 160      | Apr 1/02 |
|   | 161      | Apr 1/02 |
|   | 162      | Apr 1/02 |
|   | 163      | Apr 1/02 |
|   | 164      | Jul 1/03 |
|   | 165      | Jul 1/03 |
|   | 166      | Apr 1/02 |
| 167                                     | Apr 1/02 |          |
| 168                                     | Apr 1/02 |          |
| 169                                     | Apr 1/02 |          |
| 170                                     | Apr 1/02 |          |
| 171                                     | Apr 1/02 |          |
| 172                                     | Apr 1/02 |          |

**ROSEMOUNT AEROSPACE INC.  
COMPONENT MAINTENANCE MANUAL  
SERIES 0514K**

**LIST OF EFFECTIVE PAGES (continued)**

| <b>SUBJECT</b>                          | <b>PAGE</b> | <b>DATE</b> |
|---|-------------|-------------|
| Testing and Fault Isolation (continued) | 173         | Apr 1/02    |
|   | 174         | Apr 1/02    |
|   | 175         | Apr 1/02    |
|   | 176         | Apr 1/02    |
|   | 177         | Apr 1/02    |
|   | 178         | Apr 1/02    |
|   | 179         | Apr 1/02    |
|   | 180         | Apr 1/02    |
|   | 181         | Apr 1/02    |
|   | 182         | Apr 1/02    |
|   | 183         | Apr 1/02    |
|   | 184         | Apr 1/02    |
|   | 185         | Apr 1/02    |
|   | 186         | Apr 1/02    |
|   | 187         | Apr 1/02    |
|   | 188         | Apr 1/02    |
|   | 189         | Apr 1/02    |
|   | 190         | Apr 1/02    |
|   | 191         | Apr 1/02    |
|   | 192         | Apr 1/02    |
|   | 193         | Apr 1/02    |
|   | 194         | Apr 1/02    |
|   | 195         | Apr 1/02    |
|   | 196         | Apr 1/02    |
|   | 196.1       | Apr 1/02    |
|   | 196.2       | Apr 1/02    |
|   | 196.3       | Apr 1/02    |
|   | 196.4       | Apr 1/02    |
|   | 196.5       | Apr 1/02    |
|   | 196.6       | Apr 1/02    |
|   | 196.7       | Apr 1/02    |
|   | 196.8       | Apr 1/02    |
|   | 196.9       | Apr 1/02    |
|   | 197         | Apr 1/02    |
|   | 197.1       | Apr 1/02    |
|   | 197.2       | Apr 1/02    |
|   | 197.3       | Apr 1/02    |
|   | 197.4       | Apr 1/02    |
|   | 197.5       | Apr 1/02    |
|   | 197.6       | Apr 1/02    |
|   | 197.7       | Apr 1/02    |
|   | 197.8       | Apr 1/02    |
|   | 197.9       | Apr 1/02    |
|   | 198         | Apr 1/02    |
|   | 198.1       | Apr 1/02    |
|   | 198.2       | Apr 1/02    |
|   | 198.3       | Apr 1/02    |

**ROSEMOUNT AEROSPACE INC.  
COMPONENT MAINTENANCE MANUAL  
SERIES 0514K**

**LIST OF EFFECTIVE PAGES (continued)**

| SUBJECT                                 | PAGE  | DATE     |
|---|-------|----------|
| Testing and Fault Isolation (continued) | 198.4 | Apr 1/02 |
|   | 198.5 | Apr 1/02 |
|   | 198.6 | Apr 1/02 |
|   | 198.7 | Apr 1/02 |
|   | 198.8 | Apr 1/02 |
|   | 198.9 | Apr 1/02 |
|   | 199   | Apr 1/02 |
|   | 199.1 | Apr 1/02 |
|   | 199.2 | Apr 1/02 |
| Disassembly                             | 301   | Apr 1/02 |
|   | 302   | Apr 1/02 |
| Cleaning                                | 401   | Jul 1/03 |
|   | 402   | Blank    |
| Check                                   | 501   | Apr 1/02 |
|   | 502   | Blank    |
| Assembly                                | 701   | Apr 1/02 |
|   | 702   | Apr 1/02 |
| Illustrated Parts List                  | 1001  | Apr 1/02 |
|   | 1002  | Apr 1/02 |
|   | 1003  | Jul 1/03 |
|   | 1004  | Jul 1/03 |
|   | 1005  | Jul 1/03 |
|   | 1006  | Jul 1/03 |
|   | 1007  | Jul 1/03 |
|   | 1008  | Jul 1/03 |
|   | 1009  | Jul 1/03 |
|   | 1010  | Jul 1/03 |
|   | 1011  | Jul 1/03 |
|   | 1012  | Jul 1/03 |
|   | 1013  | Jul 1/03 |
|   | 1014  | Jul 1/03 |
|   | 1015  | Jul 1/03 |
|   | 1016  | Jul 1/03 |
|   | 1017  | Apr 1/02 |
|   | 1018  | Apr 1/02 |
|   | 1019  | Jul 1/03 |
|   | 1020  | Apr 1/02 |
|   | 1021  | Apr 1/02 |
|   | 1022  | Apr 1/02 |
|   | 1023  | Jul 1/03 |
|   | 1024  | Apr 1/02 |
|   | 1025  | Apr 1/02 |
|   | 1026  | Apr 1/02 |
|   | 1027  | Apr 1/02 |
|   | 1028  | Apr 1/02 |
|   | 1029  | Apr 1/02 |

ROSEMOUNT AEROSPACE INC.  
COMPONENT MAINTENANCE MANUAL  
SERIES 0514K

LIST OF EFFECTIVE PAGES (continued)

| SUBJECT                            | PAGE     | DATE     |
|------------------------------------|----------|----------|
| Illustrated Parts List (continued) | 1030     | Apr 1/02 |
|                                    | 1031     | Apr 1/02 |
|                                    | 1032     | Apr 1/02 |
|                                    | 1033     | Apr 1/02 |
|                                    | 1034     | Apr 1/02 |
|                                    | 1035     | Apr 1/02 |
|                                    | 1036     | Apr 1/02 |
|                                    | 1037     | Apr 1/02 |
|                                    | 1038     | Apr 1/02 |
|                                    | 1039     | Apr 1/02 |
|                                    | 1040     | Apr 1/02 |
|                                    | 1041     | Apr 1/02 |
|                                    | 1042     | Apr 1/02 |
|                                    | 1043     | Apr 1/02 |
|                                    | 1044     | Apr 1/02 |
|                                    | 1045     | Apr 1/02 |
|                                    | 1046     | Apr 1/02 |
|                                    | 1047     | Apr 1/02 |
|                                    | 1048     | Apr 1/02 |
|                                    | 1049     | Apr 1/02 |
|                                    | 1050     | Apr 1/02 |
|                                    | 1051     | Apr 1/02 |
|                                    | 1052     | Apr 1/02 |
|                                    | 1053     | Apr 1/02 |
|                                    | 1054     | Apr 1/02 |
|                                    | 1055     | Apr 1/02 |
|                                    | 1056     | Apr 1/02 |
|                                    | 1057     | Apr 1/02 |
|                                    | 1058     | Apr 1/02 |
|                                    | 1059     | Apr 1/02 |
|                                    | 1060     | Apr 1/02 |
|                                    | 1061     | Apr 1/02 |
|                                    | 1062     | Apr 1/02 |
| 1063                               | Apr 1/02 |          |



ROSEMOUNT AEROSPACE INC.  
COMPONENT MAINTENANCE MANUAL  
SERIES 0514K

TABLE OF CONTENTS

| <u>PARAGRAPH TITLE</u>                      | <u>PAGE</u>    |
|---|----------------|
| Description and Operation .....             | 1              |
| Testing and Fault Isolation.....            | 101            |
| Automatic Test Requirements (ATLAS).....    | Not Applicable |
| Disassembly.....                            | 301            |
| Cleaning .....                              | 401            |
| Check .....                                 | 501            |
| Repair.....                                 | Not Applicable |
| Assembly.....                               | 701            |
| Fits and Clearances .....                   | Not Applicable |
| Special Tools, Fixtures and Equipment ..... | Not Applicable |
| Illustrated Parts List .....                | 1001           |

**ROSEMOUNT AEROSPACE INC.  
COMPONENT MAINTENANCE MANUAL  
SERIES 0514K**

**LIST OF FIGURES**

| <u>FIGURE</u> |   | <u>PAGE</u> |
|---------------|---|-------------|
| 1             | Electronic Junction Box   | 1           |
| 101           | Automatic In-Circuit Test Setup .....   | 103         |
| 102           | Junction Box 3, DB1 Circuit Card Assembly Schematic (Part Number 00514-0057-0002)<br>93 Pin Testpoint Connector ..... | 106         |
| 103           | Junction Box 3, DB2 Circuit Card Assembly Schematic (Part Number 00514-0060-0002)<br>93 Pin Testpoint Connector ..... | 109         |
| 104           | Junction Box 3, DB3 Circuit Card Assembly Schematic (Part Number 00514-0063-0002)<br>93 Pin Testpoint Connector ..... | 112         |
| 105           | Junction Box 3, DB4 Circuit Card Assembly Schematic (Part Number 00514-0066-0002)<br>93 Pin Testpoint Connector ..... | 115         |
| 106           | Junction Box 3, DB5 Circuit Card Assembly Schematic (Part Number 00514-0069-0002)<br>93 Pin Testpoint Connector ..... | 118         |
| 107           | Junction Box 4, DB1 Circuit Card Assembly Schematic (Part Number 00514-0088-0002)<br>93 Pin Testpoint Connector ..... | 121         |
| 108           | Junction Box 4, DB2 Circuit Card Assembly Schematic (Part Number 00514-0091-0002)<br>93 Pin Testpoint Connector ..... | 124         |
| 109           | Junction Box 4, DB3 Circuit Card Assembly Schematic (Part Number 00514-0094-0002)<br>93 Pin Testpoint Connector ..... | 127         |
| 110           | Junction Box 4, DB4 Circuit Card Assembly Schematic (Part Number 00514-0097-0002)<br>93 Pin Testpoint Connector ..... | 130         |
| 111           | Junction Box 4, DB5 Circuit Card Assembly Schematic (Part Number 00514-0100-0002)<br>93 Pin Testpoint Connector ..... | 133         |
| 112           | Junction Box 5, DB1 Circuit Card Assembly Schematic (Part Number 00514-0104-0003)<br>93 Pin Testpoint Connector ..... | 136         |
| 113           | Junction Box 5, DB2 Circuit Card Assembly Schematic (Part Number 00514-0107-0002)<br>93 Pin Testpoint Connector ..... | 139         |
| 114           | Junction Box 5, DB3 Circuit Card Assembly Schematic (Part Number 00514-0110-0002)<br>93 Pin Testpoint Connector ..... | 142         |
| 115           | Junction Box 5, DB4 Circuit Card Assembly Schematic (Part Number 00514-0113-0002)<br>93 Pin Testpoint Connector ..... | 145         |
| 116           | Junction Box 5, DB5 Circuit Card Assembly Schematic (Part Number 00514-0116-0002)<br>93 Pin Testpoint Connector ..... | 148         |
| 117           | Junction Box 6, DB1 Circuit Card Assembly Schematic (Part Number 00514-0120-0003)<br>93 Pin Testpoint Connector ..... | 151         |
| 118           | Junction Box 6, DB2 Circuit Card Assembly Schematic (Part Number 00514-0123-0002)<br>93 Pin Testpoint Connector ..... | 155         |
| 119           | Junction Box 6, DB3 Circuit Card Assembly Schematic (Part Number 00514-0126-0002)<br>93 Pin Testpoint Connector ..... | 158         |
| 120           | Junction Box 6, DB4 Circuit Card Assembly Schematic (Part Number 00514-0129-0002)<br>93 Pin Testpoint Connector ..... | 161         |
| 121           | Junction Box 6, DB5 Circuit Card Assembly Schematic (Part Number 00514-0132-0002)<br>93 Pin Testpoint Connector ..... | 164         |
| 122           | Junction Box 3, DB1 Circuit Card Assembly Schematic (Part Number 00514-0057-0001)<br>96 Pin Testpoint Connector ..... | 168         |
| 123           | Junction Box 3, DB2 Circuit Card Assembly Schematic (Part Number 00514-0060-0001)<br>96 Pin Testpoint Connector ..... | 171         |
| 124           | Junction Box 3, DB3 Circuit Card Assembly Schematic (Part Number 00514-0063-0001)<br>96 Pin Testpoint Connector ..... | 174         |
| 125           | Junction Box 3, DB4 Circuit Card Assembly Schematic (Part Number 00514-0066-0001)<br>96 Pin Testpoint Connector ..... | 177         |

**ROSEMOUNT AEROSPACE INC.  
COMPONENT MAINTENANCE MANUAL  
SERIES 0514K**

**LIST OF FIGURES (continued)**

| <u>FIGURE</u> |  | <u>PAGE</u> |
|---------------|--|-------------|
| 126           | Junction Box 3, DB5 Circuit Card Assembly Schematic (Part Number 00514-0069-0001)<br>96 Pin Testpoint Connector..... | 180         |
| 127           | Junction Box 4, DB1 Circuit Card Assembly Schematic (Part Number 00514-0088-0001)<br>96 Pin Testpoint Connector..... | 183         |
| 128           | Junction Box 4, DB2 Circuit Card Assembly Schematic (Part Number 00514-0091-0001)<br>96 Pin Testpoint Connector..... | 186         |
| 129           | Junction Box 4, DB3 Circuit Card Assembly Schematic (Part Number 00514-0094-0001)<br>96 Pin Testpoint Connector..... | 189         |
| 130           | Junction Box 4, DB4 Circuit Card Assembly Schematic (Part Number 00514-0097-0001)<br>96 Pin Testpoint Connector..... | 192         |
| 131           | Junction Box 4, DB5 Circuit Card Assembly Schematic (Part Number 00514-0100-0001)<br>96 Pin Testpoint Connector..... | 195         |
| 132           | Junction Box 5, DB1 Circuit Card Assembly Schematic (Part Number 00514-0104-0001)<br>96 Pin Testpoint Connector..... | 196.2       |
| 133           | Junction Box 5, DB2 Circuit Card Assembly Schematic (Part Number 00514-0107-0001)<br>96 Pin Testpoint Connector..... | 196.5       |
| 134           | Junction Box 5, DB3 Circuit Card Assembly Schematic (Part Number 00514-0110-0001)<br>96 Pin Testpoint Connector..... | 196.8       |
| 135           | Junction Box 5, DB4 Circuit Card Assembly Schematic (Part Number 00514-0113-0001)<br>96 Pin Testpoint Connector..... | 197.1       |
| 136           | Junction Box 5, DB5 Circuit Card Assembly Schematic (Part Number 00514-0116-0001)<br>96 Pin Testpoint Connector..... | 197.4       |
| 137           | Junction Box 6, DB1 Circuit Card Assembly Schematic (Part Number 00514-0120-0001)<br>96 Pin Testpoint Connector..... | 197.7       |
| 138           | Junction Box 6, DB2 Circuit Card Assembly Schematic (Part Number 00514-0123-0001)<br>96 Pin Testpoint Connector..... | 198.1       |
| 139           | Junction Box 6, DB3 Circuit Card Assembly Schematic (Part Number 00514-0126-0001)<br>96 Pin Testpoint Connector..... | 198.4       |
| 140           | Junction Box 6, DB4 Circuit Card Assembly Schematic (Part Number 00514-0129-0001)<br>96 Pin Testpoint Connector..... | 198.7       |
| 141           | Junction Box 6, DB5 Circuit Card Assembly Schematic (Part Number 00514-0132-0001)<br>96 Pin Testpoint Connector..... | 199         |
| 1 (IPL)       | Series 0514K Junction Box Assembly - Exploded View.....  | 1018        |
| 2 (IPL)       | Junction Box 3, DB1 Circuit Card Assembly (Part Number 00514-0055-0005).....   | 1024        |
| 3 (IPL)       | Junction Box 4, DB1 Circuit Card Assembly (Part Number 00514-0086-0005).....   | 1026        |
| 4 (IPL)       | Junction Box 5, DB1 Circuit Card Assembly (Part Number 00514-0102-0007).....   | 1028        |
| 5 (IPL)       | Junction Box 6, DB1 Circuit Card Assembly (Part Number 00514-0118-0004).....   | 1030        |
| 6 (IPL)       | Junction Box 3, DB2 Circuit Card Assembly (Part Number 00514-0058-0005).....   | 1032        |
| 7 (IPL)       | Junction Box 4, DB2 Circuit Card Assembly (Part Number 00514-0089-0005).....   | 1034        |
| 8 (IPL)       | Junction Box 5, DB2 Circuit Card Assembly (Part Number 00514-0105-0006).....   | 1036        |
| 9 (IPL)       | Junction Box 6, DB2 Circuit Card Assembly (Part Number 00514-0121-0004).....   | 1038        |
| 10 (IPL)      | Junction Box 3, DB3 Circuit Card Assembly (Part Number 00514-0061-0005).....   | 1040        |
| 11 (IPL)      | Junction Box 4, DB3 Circuit Card Assembly (Part Number 00514-0092-0005).....   | 1042        |
| 12 (IPL)      | Junction Box 5, DB3 Circuit Card Assembly (Part Number 00514-0108-0006).....   | 1044        |
| 13 (IPL)      | Junction Box 6, DB3 Circuit Card Assembly (Part Number 00514-0124-0004).....   | 1046        |
| 14 (IPL)      | Junction Box 3, DB4 Circuit Card Assembly (Part Number 00514-0064-0005).....   | 1048        |
| 15 (IPL)      | Junction Box 4, DB4 Circuit Card Assembly (Part Number 00514-0095-0005).....   | 1050        |
| 16 (IPL)      | Junction Box 5, DB4 Circuit Card Assembly (Part Number 00514-0111-0006).....   | 1052        |
| 17 (IPL)      | Junction Box 6, DB4 Circuit Card Assembly (Part Number 00514-0127-0004).....   | 1054        |

**ROSEMOUNT AEROSPACE INC.  
COMPONENT MAINTENANCE MANUAL  
SERIES 0514K**

**LIST OF FIGURES (continued)**

| <u>FIGURE</u> |   | <u>PAGE</u> |
|---------------|---|-------------|
| 18 (IPL)      | Junction Box 3, DB5 Circuit Card Assembly (Part Number 00514-0067-0005) ..... | 1056        |
| 19 (IPL)      | Junction Box 4, DB5 Circuit Card Assembly (Part Number 00514-0098-0005) ..... | 1058        |
| 20 (IPL)      | Junction Box 5, DB5 Circuit Card Assembly (Part Number 00514-0114-0006) ..... | 1060        |
| 21 (IPL)      | Junction Box 6, DB5 Circuit Card Assembly (Part Number 00514-0130-0004) ..... | 1062        |

**LIST OF TABLES**

| <u>TABLE</u> |                               | <u>PAGE</u> |
|--------------|-------------------------------|-------------|
| 1            | Leading Particulars .....     | 3           |
| 1 (IPL)      | Equipment Modifications ..... | 1003        |
| 2 (IPL)      | Numerical Index .....         | 1004        |

**ROSEMOUNT AEROSPACE INC.  
COMPONENT MAINTENANCE MANUAL  
SERIES 0514K**

**INTRODUCTION**

This manual provides maintenance instructions for the Series 0514K Electronic Junction Box manufactured by Rosemount Aerospace Inc., Burnsville, Minnesota. The instructions in this manual provide the information necessary to perform maintenance function ranging from simple checks and replacement to complete shop type repair.

The manual is divided into separate sections:

- |                                  |                                |
|----------------------------------|--------------------------------|
| 1. Title Page                    | 6. Table of Contents           |
| 2. Record of Revisions           | 7. Introduction                |
| 3. Record of Temporary Revisions | 8. Description and Operation   |
| 4. Service Bulletin List         | 9. Procedures and IPL Sections |
| 5. List of Effective Pages       |                                |

Refer to the Table of Contents for the page location of applicable sections. An asterisked flagnote (\*) in place of the page number indicates that no special instructions are provided since the function can be performed using standard industry practices.

The beginning of the REPAIR section includes a list of the separate repairs (if appropriate).

An explanation of the use of the Illustrated Parts List is provided in the introduction to that section.

All weights and measurements in the manual are in English units with metric equivalents in parenthesis, unless otherwise stated.

The manual will be revised as necessary to reflect current information.

List of Abbreviations and Acronyms

|       |                         |
|-------|-------------------------|
| ARINC | Aeronautical Radio Inc. |
| ICT   | In-Circuit Test         |
| MCU   | Modular Concept Unit    |
| UUT   | Unit Under Test         |

Verification

|                             |            |
|-----------------------------|------------|
| Testing and Fault Isolation | March 1996 |
| Disassembly                 | March 1996 |
| Assembly                    | March 1996 |



**ROSEMOUNT AEROSPACE INC.  
COMPONENT MAINTENANCE MANUAL  
SERIES 0514K**

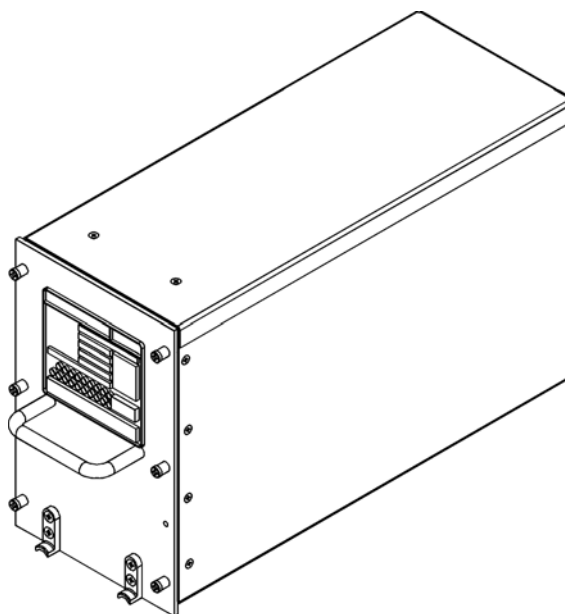
**DESCRIPTION AND OPERATION**

**1. General**

The Series 0514K Electronic Junction Box is mounted on the Bombardier Global Express and Global 5000 aircraft. There are a total of four junction boxes per aircraft, models 0514K1, 0514K2, 0514K3 and 0514K4, corresponding to Junction Box (JB) #3, JB #4, JB #5 and JB #6 respectively.

**2. Description**

- A. The Series 0514K junction box, Figure 1, is housed in a 4 MCU box with an ARINC 600 size 3 connector at the back. Each junction box contains five daughter boards, one chassis, one backplane connector, one flex circuit assembly, a front panel and one cover. Each of the four boxes contains five different daughter board assemblies, for a total of 20 individual boards. These boards are individually keyed to prevent incorrect insertion via a mating pin located on each of the 22 gauge daughter board/flex connectors. In addition, each box is individually keyed through the use of mating pins on the ARINC connector, such that only the correct box can be inserted into the correct location in the rack.
- B. Each of the daughter boards is front removable and contains a varied number of relays, spare relay sockets, resistors, diodes, one 96 point test connector or one 93 point test connector, a 20 gauge 37 pin daughter board connector and a 22 gauge 104 pin daughter board connector. All test point connectors on the daughter boards are accessible from the front of the junction box, after the front cover has been removed. All daughter boards use card guides and injector/ejectors for easy removal and insertion.
- C. The flex circuit interconnect assembly consists of one ARINC 600 shell, size 3 type connector, which is linked to the mother board connectors (the mating connectors for the daughter boards) via 3 rigid-flexible circuits. These circuits contain two stiffened regions (one for the mother board connectors and one for the ARINC 600 connector). The flex assembly is mounted directly to the chassis for rigidity.



**Figure 1. Electronic Junction Box**

**ROSEMOUNT AEROSPACE INC.  
COMPONENT MAINTENANCE MANUAL  
SERIES 0514K**

- D. The front panel mounts directly to the housing with captive fasteners. The front panel contains one handle for box removal and two hooks that interface with the tray fasteners. Each panel mates to the mounting brackets of the box such that only the correct panel can be installed on a specific box. Two silicon rubber strips are attached to the back of the panel to secure the boards in place once the panel has been assembled to the box.
- E. A nameplate, mounted to the front of the cover plate, shows the pertinent box part numbers, and the configuration mode of the box. A test point label is secured to the backside of the cover plate to provide information on the pin layout of the test point connectors, as well as the configuration status of the boards, shown by a date code.

**3. Operation**

- A. The input power to energize the relays is 28 VDC and is in accordance with RAE-L700-104.
- B. The input power carried in each line with 22 AWG pins and 20 AWG pins are as follows:  
The 22 AWG circuits are designed to carry current levels up to the trip threshold of a 3 Amp. per MS22073-3 circuit breaker. The 20 AWG circuits are designed to carry current levels up to the trip threshold of a 5 Amp. per MS22073-5 circuit breaker. These thresholds are a function of time and current.
- C. The highest frequency that the junction box will receive from an aircraft system is 3200 Hertz (for analog signal) and 100 KBPS (for ARINC 429 signal).
- D. Each junction box has an ARINC 600 receptacle size 3 connector at the back of the box. The connector consists of six inserts labeled A through F containing front release type contacts as follows:
  - A      150 x #22 AWG sockets
  - B      60 x #20 AWG pins
  - C      100 x #22 AWG sockets
  - D      150 x #22 AWG sockets
  - E      60 x #20 AWG pins
  - F      100 x #22 AWG sockets
- E. The #22 AWG contacts are rated at 3 Amps and the #20 AWG contacts are rated at 5 Amps. All of the ARINC 600 connector pins may be accessed via a 96 pin test connector located at the front of each daughter board.

**ROSEMOUNT AEROSPACE INC.  
COMPONENT MAINTENANCE MANUAL  
SERIES 0514K**

**Table 1. Leading Particulars**

---

|                               |   |
|-------------------------------|---|
| Operating Capabilities        |   |
| Altitude                      | -15,000 to 55,000 feet max.   |
| Temperature                   | -58°F to +158°F (-50°C to +70°C)  |
| Input/Output Signals          | 5 amps. on 20 AWG pins<br>3 amps. on 22 AWG pins<br>ARINC 429, 100KBPS signals on 22 AWG pins   |
| Insulation Resistance         | Resistance between individually isolated<br>115/120 VAC terminals and between all<br>terminals and case shall exceed 20 megohms<br>with 500 VDC applied.<br><br>Resistance between individually isolated 28<br>VDC terminals and between all terminals and<br>case shall exceed 100 megohms with 45 VDC<br>applied. |
| Electrical Bonding Resistance | Resistance will not exceed 2.5 megohms  |
| Weight                        | 12 lbs. maximum   |
| Electrical Connectors         | ARINC 600, size 3 connector, 620 pins   |
| Mating Connectors             | ARINC 600, size 3 connector assy.<br>(P/N 00514-0038-0001/2/3/4)<br>includes grounding bar  |

---



**ROSEMOUNT AEROSPACE INC.  
COMPONENT MAINTENANCE MANUAL  
SERIES 0514K**

**TESTING AND FAULT ISOLATION**

**1. Test Equipment**

The following test equipment is required to perform the test procedures.

| <b>NUMBER</b> | <b>NOMENCLATURE</b>                    | <b>VENDOR (PART NUMBER)</b>     |
|---------------|--|---------------------------------|
| 1             | Automatic In-Circuit Board Test System | Hewlett Packard (HP3073 ST)     |
| 2             | ICT Test Fixture                       | Rosemount Aerospace (BTR-15001) |

**2. Preparation for Test**

The following test conditions should be observed during testing.

- A. Temperature                    +25°C ± 10°C
- B. Relative Humidity            Room Ambient to 90% RH
- C. Barometric Pressure        Local Ambient (28 to 32 in-Hg)

**3. Automated Performance Tests**

NOTE: A standard commercial in-circuit board test system (item 1 of test equipment) will be used for automated testing. This system has been customized to run the junction box tests through the use of a specialized ICT test fixture (item 2 of test equipment) and the use of customized software, developed with the manufacturer's integrated software package.

- A. Connect test setup shown in Figure 101.
- B. The following step-by-step procedure will be used to initiate the standard test sequence.

**TO TEST BOX**

- (1) Select job of junction box to test.
- (2) Install correct fixture.
- (3) Press "Fixture Lock".
- (4) Press "Run Testplan".
- (5) Enter the proper number that corresponds with the junction box that you wish to test.
- (6) Press "Return".
- (7) Connect the junction box to the proper connectors provided on the ICT fixture.
- (8) Press "Start".
- (9) Follow monitor instructions: I.D. #'s; Enter # - Press "Return".
- (10) Remove the junction box when testing is finished.

**ROSEMOUNT AEROSPACE INC.  
COMPONENT MAINTENANCE MANUAL  
SERIES 0514K**

**AFTER JOB IS COMPLETE**

- (1) Press "Exit".
- (2) Press "Main".
- (3) Press "Fixture Unlock".
- (4) Remove fixture.

NOTE: The standard test sequence is an automated process developed by the in-circuit test system manufacturer. It includes a series of three subtests.

C. Short Circuit Test

This test is designed to detect unwanted shorts and opens between connector pins. The test algorithm includes an isolation phase and a detection phase. In the isolation phase, each pin will be individually isolated by shorting all other pins together. In the detection phase, a 100mV signal, sent through a 100 ohm resistor, will be applied to the circuit and a resultant resistance reading will be measured. If a resistance of less than 8 ohms is found, indicating a short, the actual pin-to-pin location of the short will be detected through the process of elimination.

D. Analog Unpowered Test

This involves the testing of all resistors and diodes to determine if the components are functioning correctly. The diodes will be put into the feedback loop of a measurement operational amplifier (op-amp), a 10 mA DC current will be applied to the loop, and the output voltage of the op-amp will be measured. The presence of a resistor will be checked by applying a 5V signal to the circuit and calculating the resulting output resistance of the resistor.

E. Analog Powered Test

A +28V signal will be applied to the relay coil to energize the relay. To ensure that the relay contact functions, the state of the relay contact will be changed from closed contact to open contact mode. A closed relay contact will be detected by applying a +28V or +5V signal to one side of the contact and measuring a +28V or +5V signal on the other side. An open relay contact will be detected by applying a +28V or +5V signal to one side of the contact and measuring for 0V on the other side. The internal meter has a built-in load that will prevent the meter from floating.

F. Automated Performance Test Acceptance Criteria

The junction boxes must meet the functional requirements of the automated performance test. These requirements include: testing for unwanted shorts or opens between connector pins, checking all resistors and diodes for correct orientation and functionality, and testing all installed relays for the correct contact switching operation. This information will be verified through computer-generated performance test data, indicating a pass/fail status. Failure to pass any of these requirements will result in the generation of a failure test sheet, which will identify the failure.

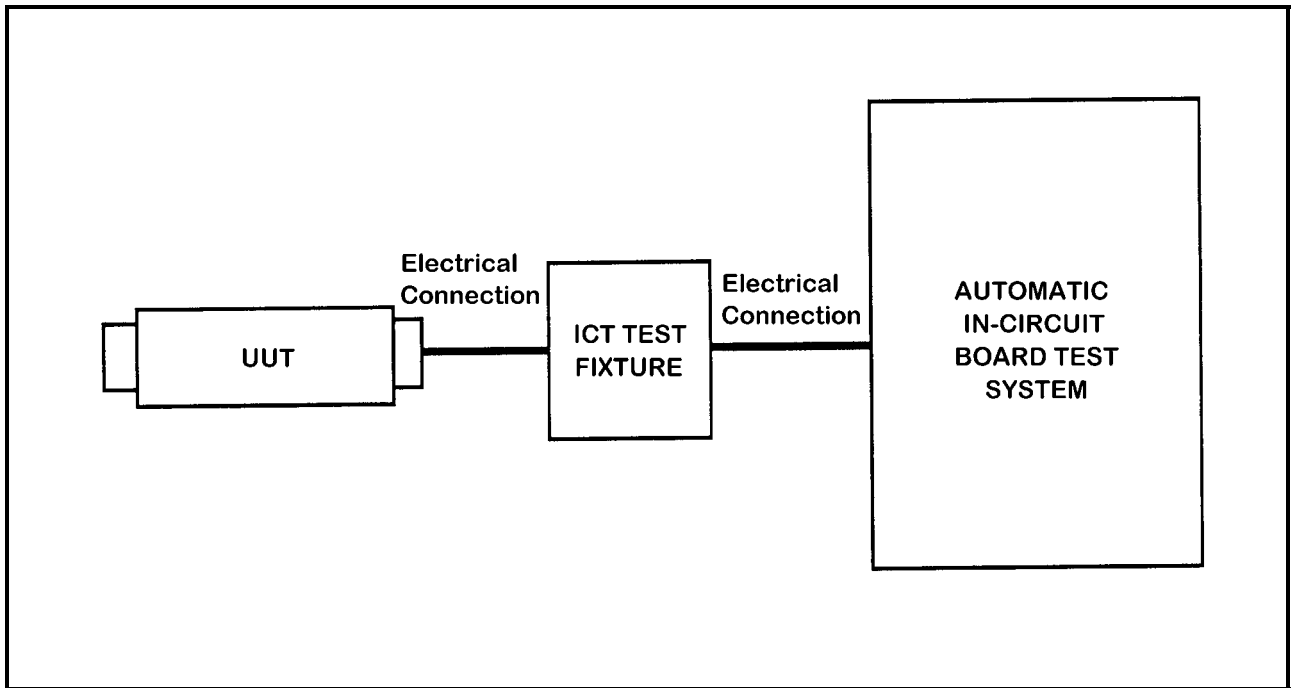


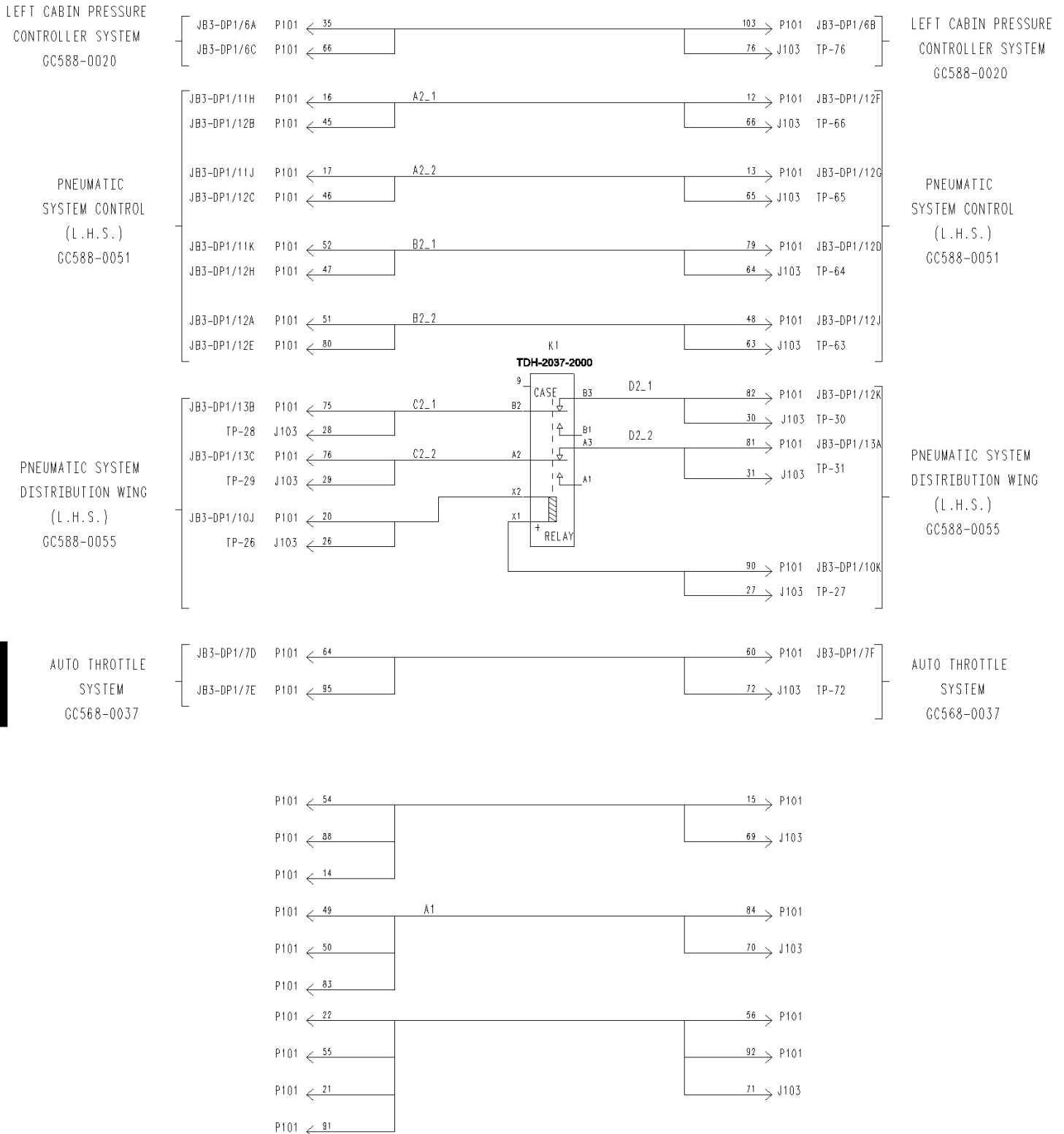
Figure 101. Automatic In-Circuit Test Setup

**ROSEMOUNT AEROSPACE INC.  
COMPONENT MAINTENANCE MANUAL  
SERIES 0514K**

**THIS PAGE INTENTIONALLY LEFT BLANK**

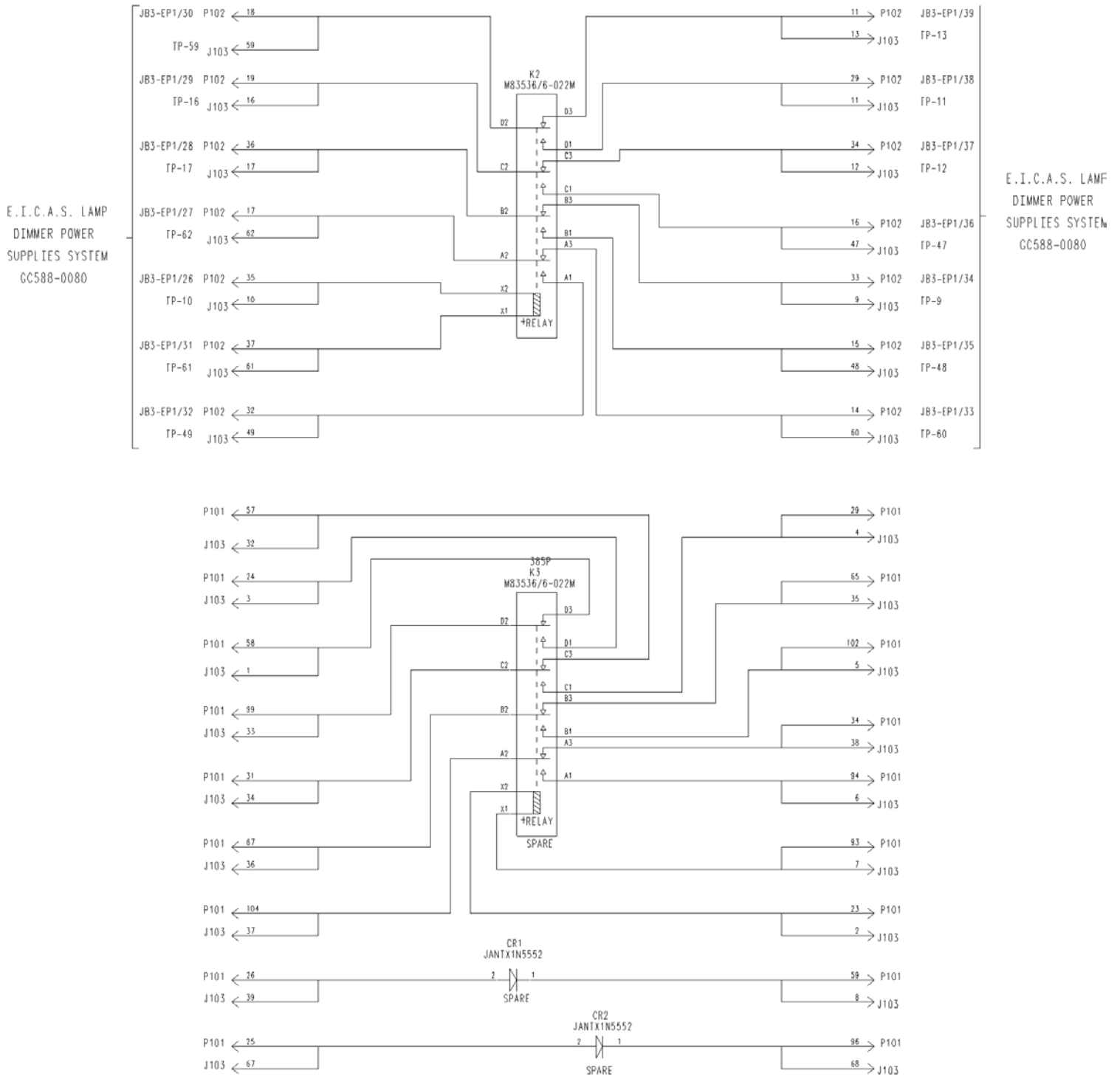
## **CCA Schematics for the 93 Pin Testpoint Connector Configuration**

**ROSEMOUNT AEROSPACE INC.  
COMPONENT MAINTENANCE MANUAL  
SERIES 0514K**



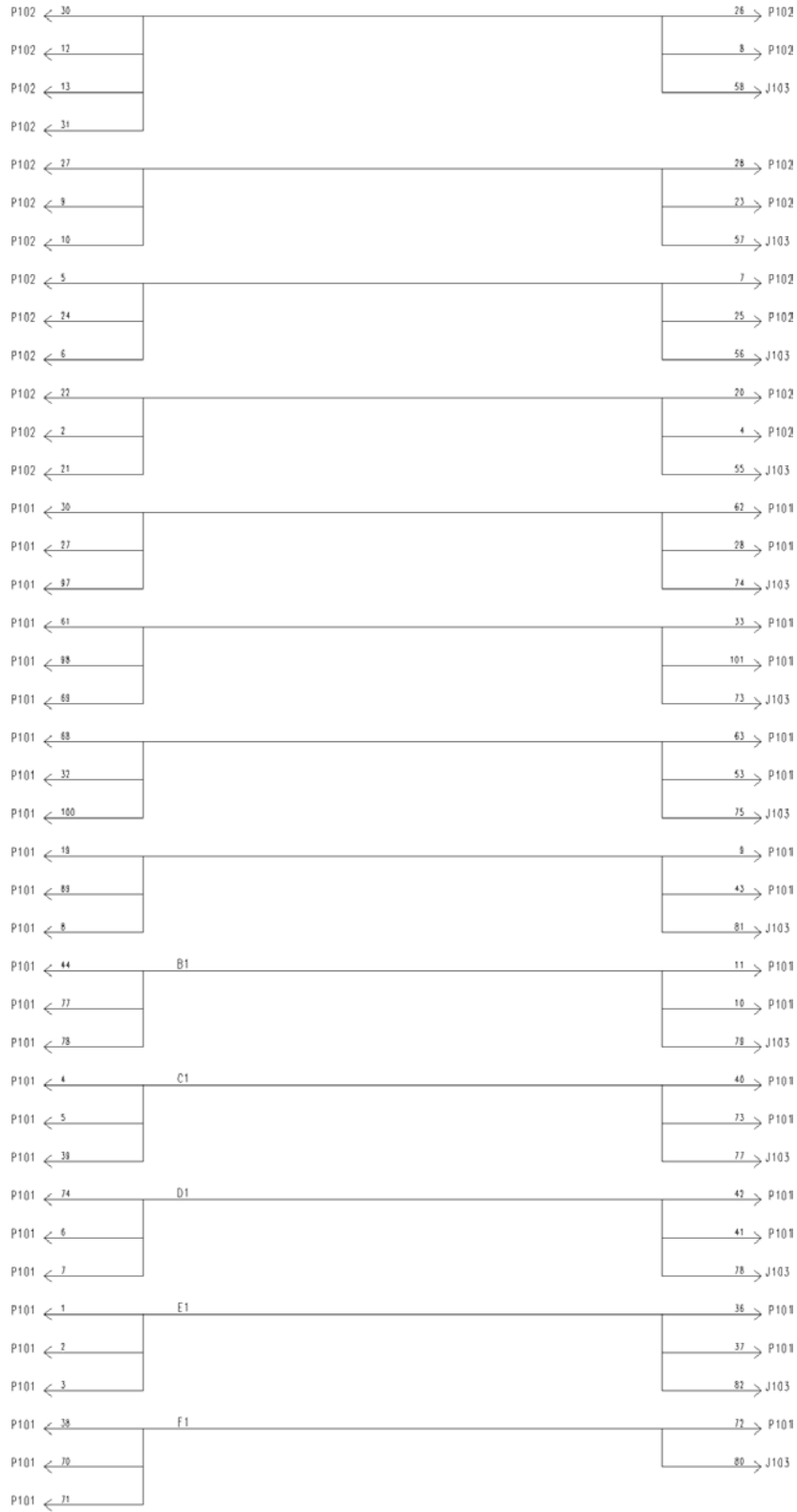
**Figure 102. Junction Box 3, DB1 Circuit Card Assembly Schematic (Sheet 1 of 3)  
(Part Number 00514-0057-0002) 93 Pin Testpoint Connector**

**ROSEMOUNT AEROSPACE INC.  
COMPONENT MAINTENANCE MANUAL  
SERIES 0514K**



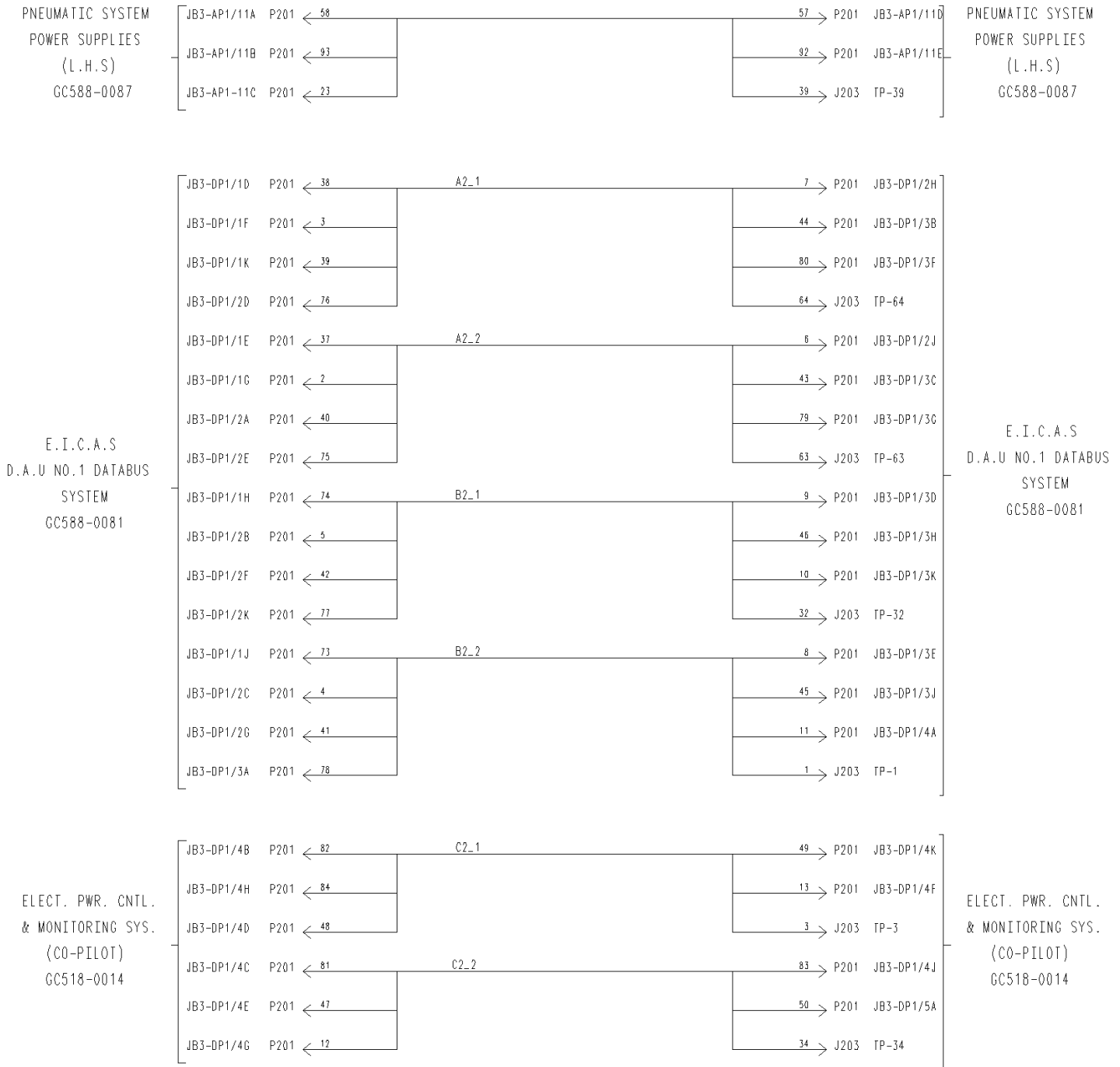
**Figure 102. Junction Box 3, DB1 Circuit Card Assembly Schematic (Sheet 2)  
(Part Number 00514-0057-0002) 93 Pin Testpoint Connector**

**ROSEMOUNT AEROSPACE INC.  
COMPONENT MAINTENANCE MANUAL  
SERIES 0514K**



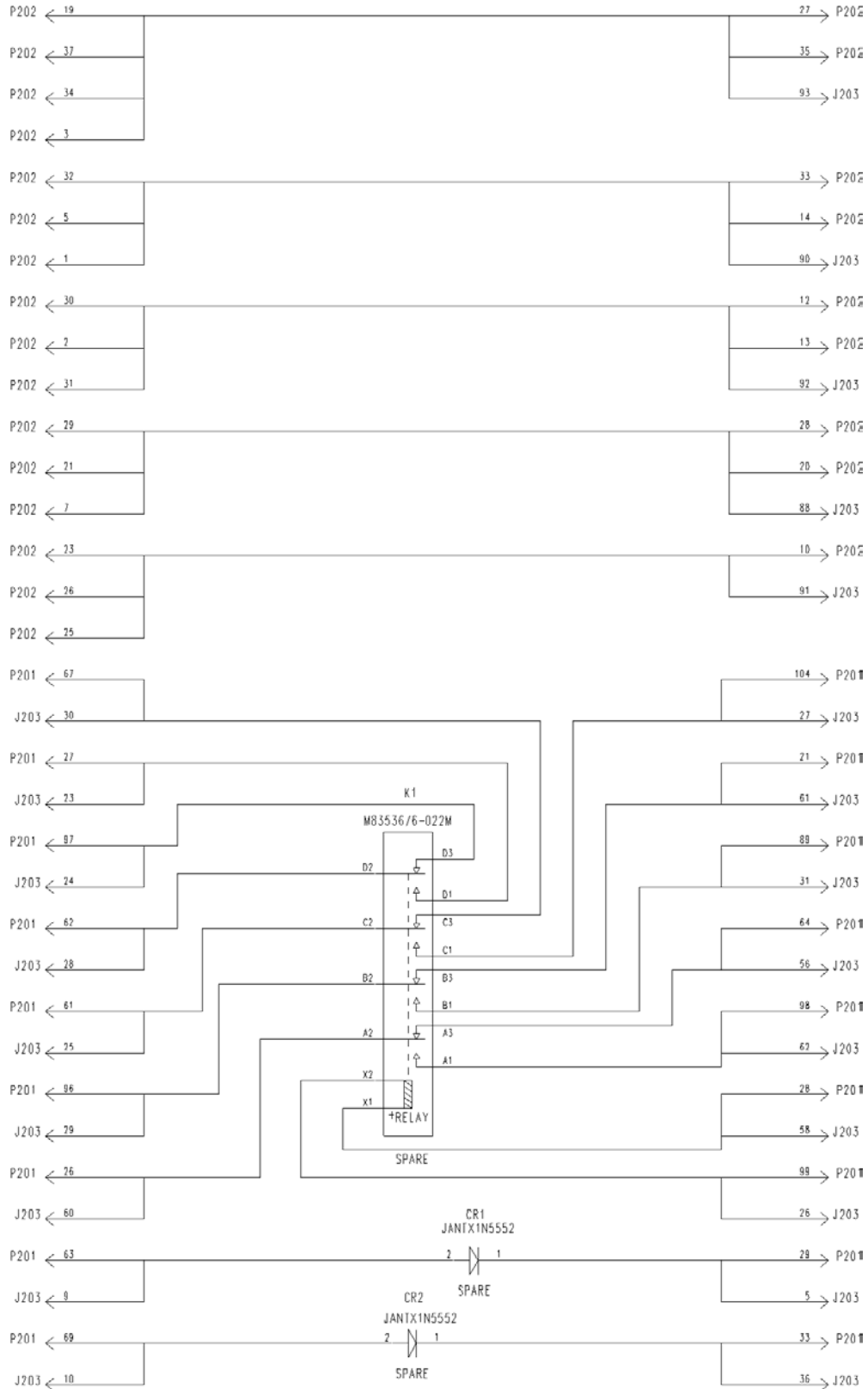
**Figure 102. Junction Box 3, DB1 Circuit Card Assembly Schematic (Sheet 3)  
(Part Number 00514-0057-0002) 93 Pin Testpoint Connector**

**ROSEMOUNT AEROSPACE INC.  
COMPONENT MAINTENANCE MANUAL  
SERIES 0514K**



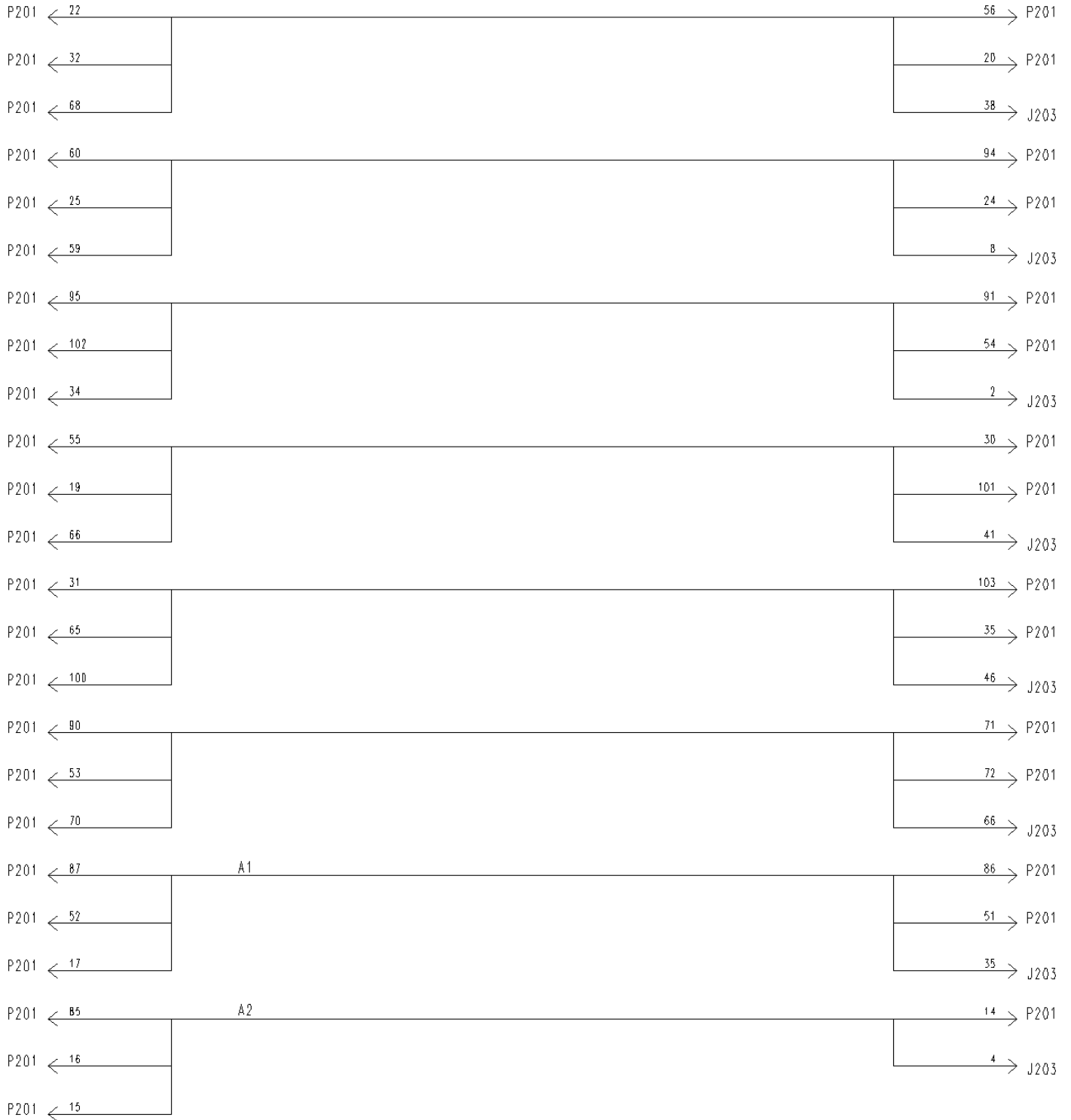
**Figure 103. Junction Box 3, DB2 Circuit Card Assembly Schematic (Sheet 1 of 3)  
(Part Number 00514-0060-0002) 93 Pin Testpoint Connector**

**ROSEMOUNT AEROSPACE INC.  
 COMPONENT MAINTENANCE MANUAL  
 SERIES 0514K**



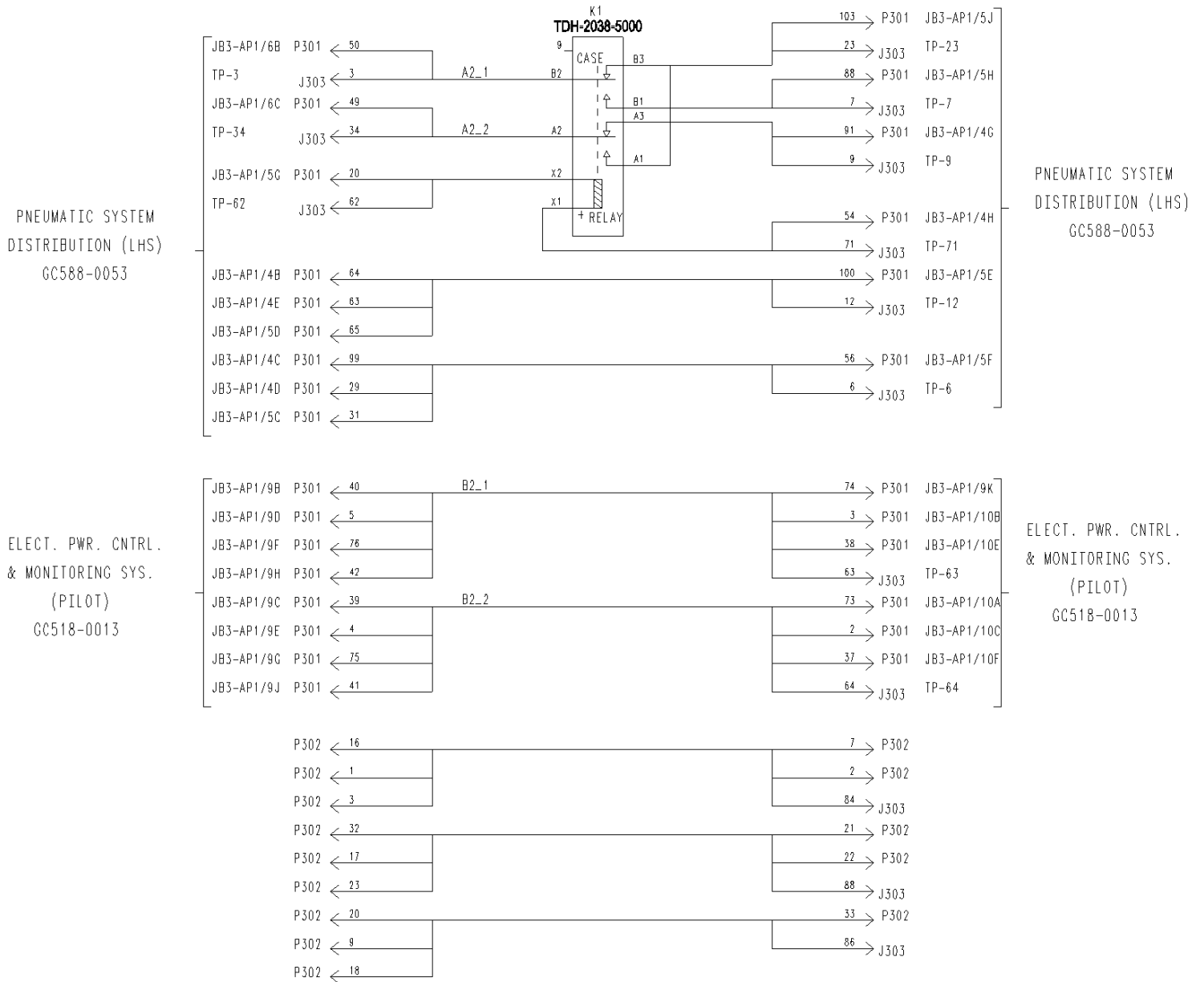
**Figure 103. Junction Box 3, DB2 Circuit Card Assembly Schematic (Sheet 2)  
 (Part Number 00514-0060-0002) 93 Pin Testpoint Connector**

**ROSEMOUNT AEROSPACE INC.  
 COMPONENT MAINTENANCE MANUAL  
 SERIES 0514K**



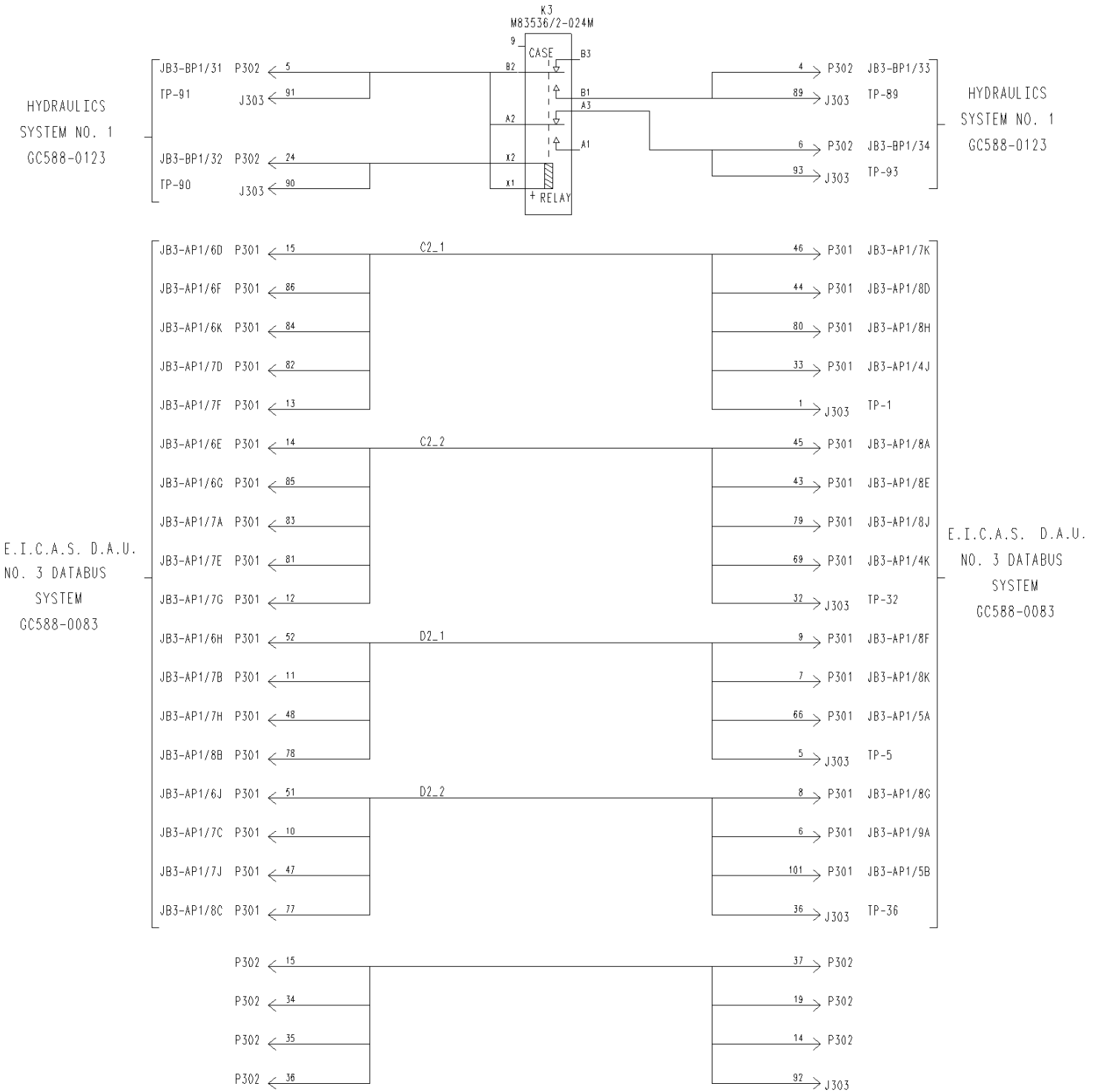
**Figure 103. Junction Box 3, DB2 Circuit Card Assembly Schematic (Sheet 3)  
 (Part Number 00514-0060-0002) 93 Pin Testpoint Connector**

**ROSEMOUNT AEROSPACE INC.  
COMPONENT MAINTENANCE MANUAL  
SERIES 0514K**



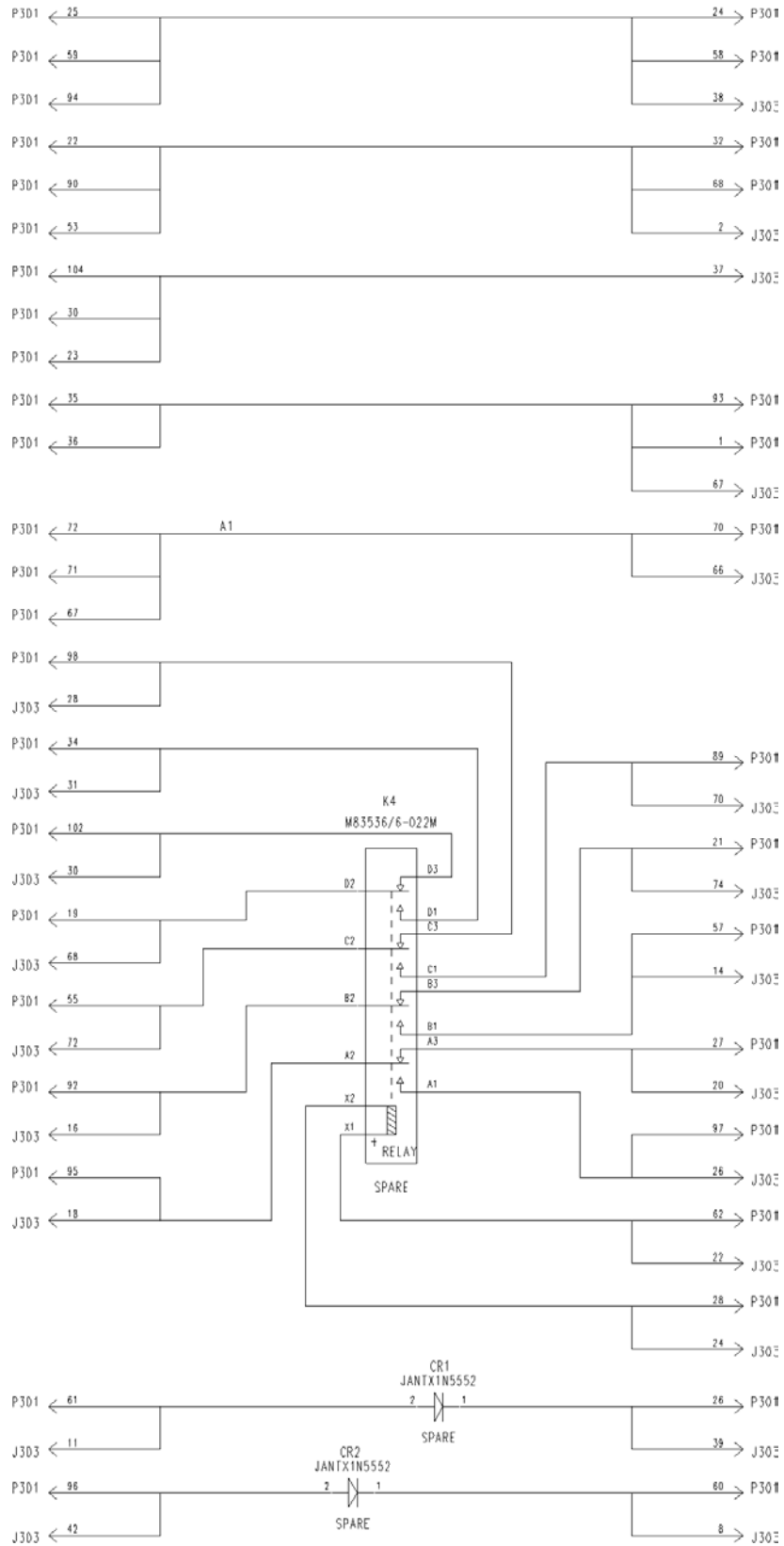
**Figure 104. Junction Box 3, DB3 Circuit Card Assembly Schematic (Sheet 1 of 3)  
(Part Number 00514-0063-0002) 93 Pin Testpoint Connector**

**ROSEMOUNT AEROSPACE INC.  
COMPONENT MAINTENANCE MANUAL  
SERIES 0514K**



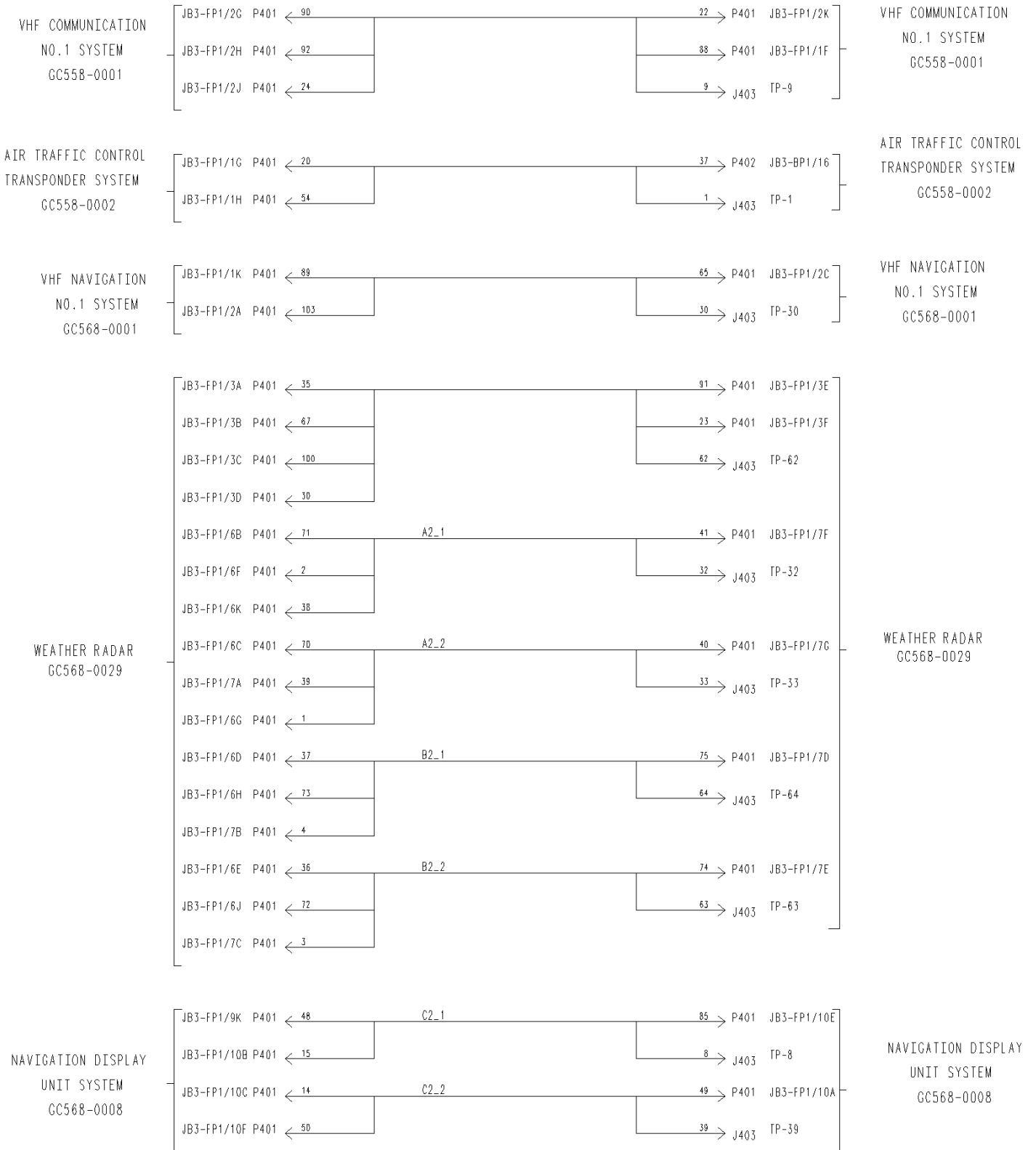
**Figure 104. Junction Box 3, DB3 Circuit Card Assembly Schematic (Sheet 2)  
(Part Number 00514-0063-0002) 93 Pin Testpoint Connector**

**ROSEMOUNT AEROSPACE INC.  
COMPONENT MAINTENANCE MANUAL  
SERIES 0514K**



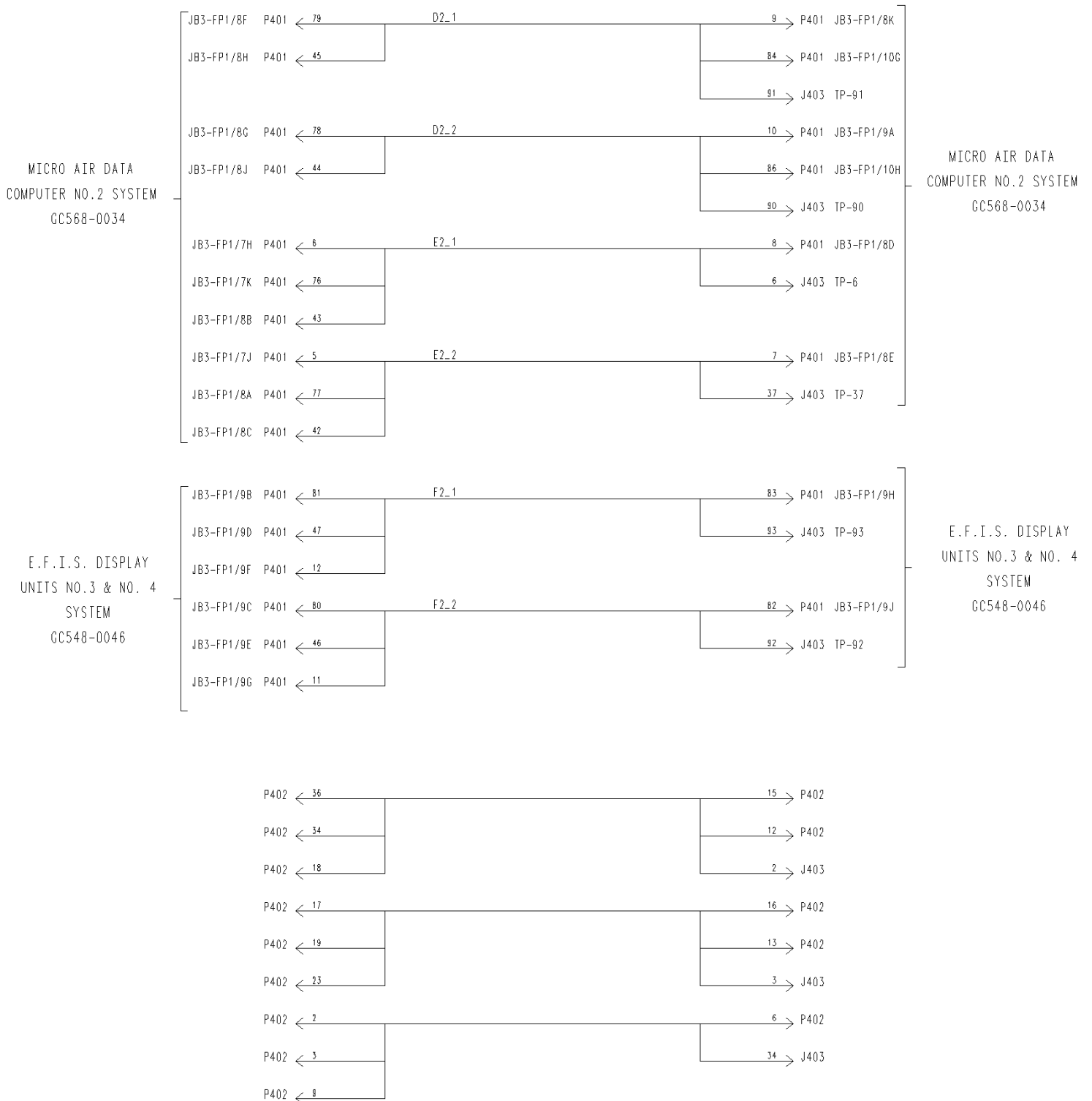
**Figure 104. Junction Box 3, DB3 Circuit Card Assembly Schematic (Sheet 3)  
(Part Number 00514-0063-0002) 93 Pin Testpoint Connector**

**ROSEMOUNT AEROSPACE INC.  
COMPONENT MAINTENANCE MANUAL  
SERIES 0514K**



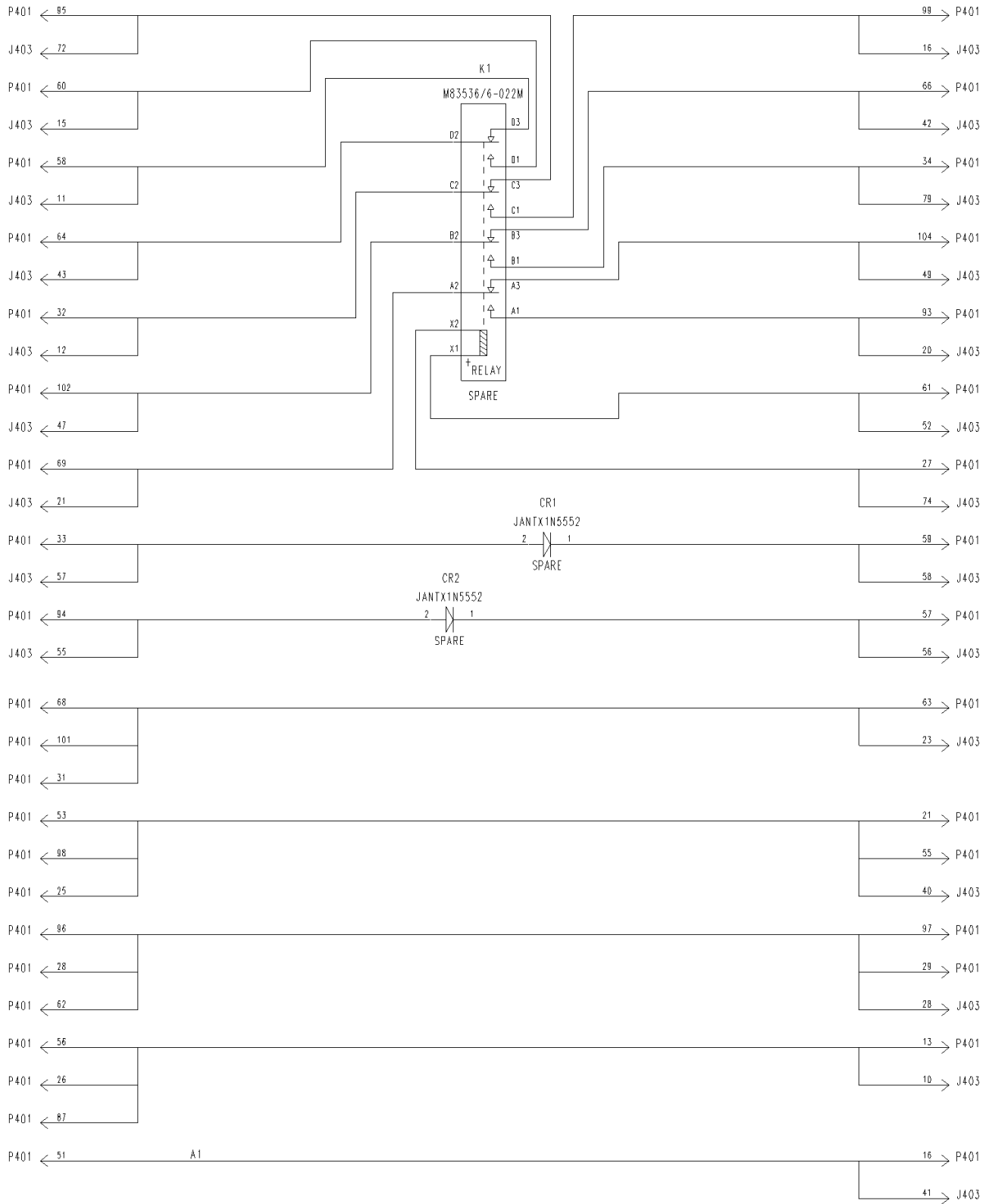
**Figure 105. Junction Box 3, DB4 Circuit Card Assembly Schematic (Sheet 1 of 3)  
(Part Number 00514-0066-0002) 93 Pin Testpoint Connector**

**ROSEMOUNT AEROSPACE INC.  
COMPONENT MAINTENANCE MANUAL  
SERIES 0514K**



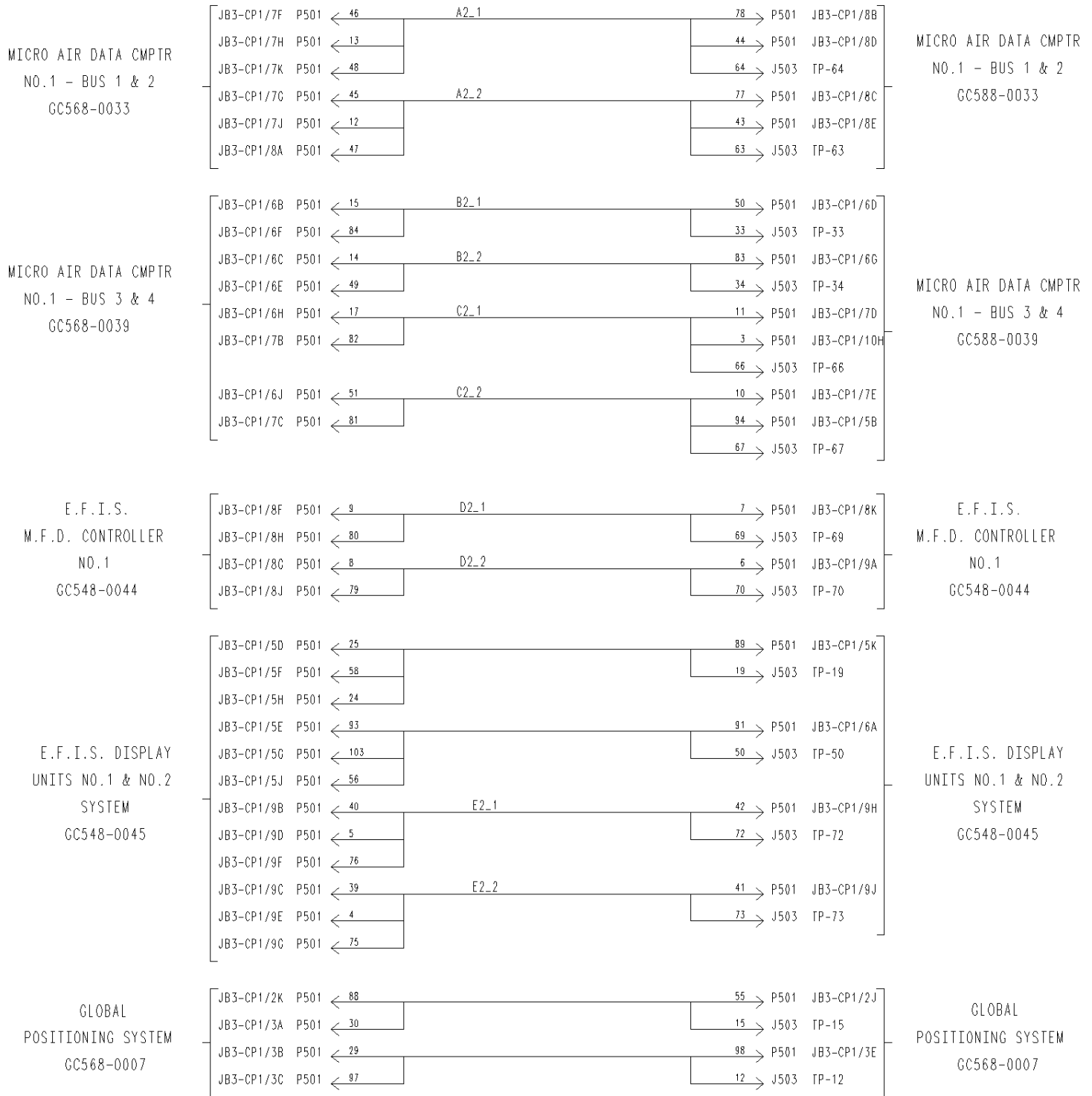
**Figure 105. Junction Box 3, DB4 Circuit Card Assembly Schematic (Sheet 2)  
(Part Number 00514-0066-0002) 93 Pin Testpoint Connector**

**ROSEMOUNT AEROSPACE INC.  
COMPONENT MAINTENANCE MANUAL  
SERIES 0514K**



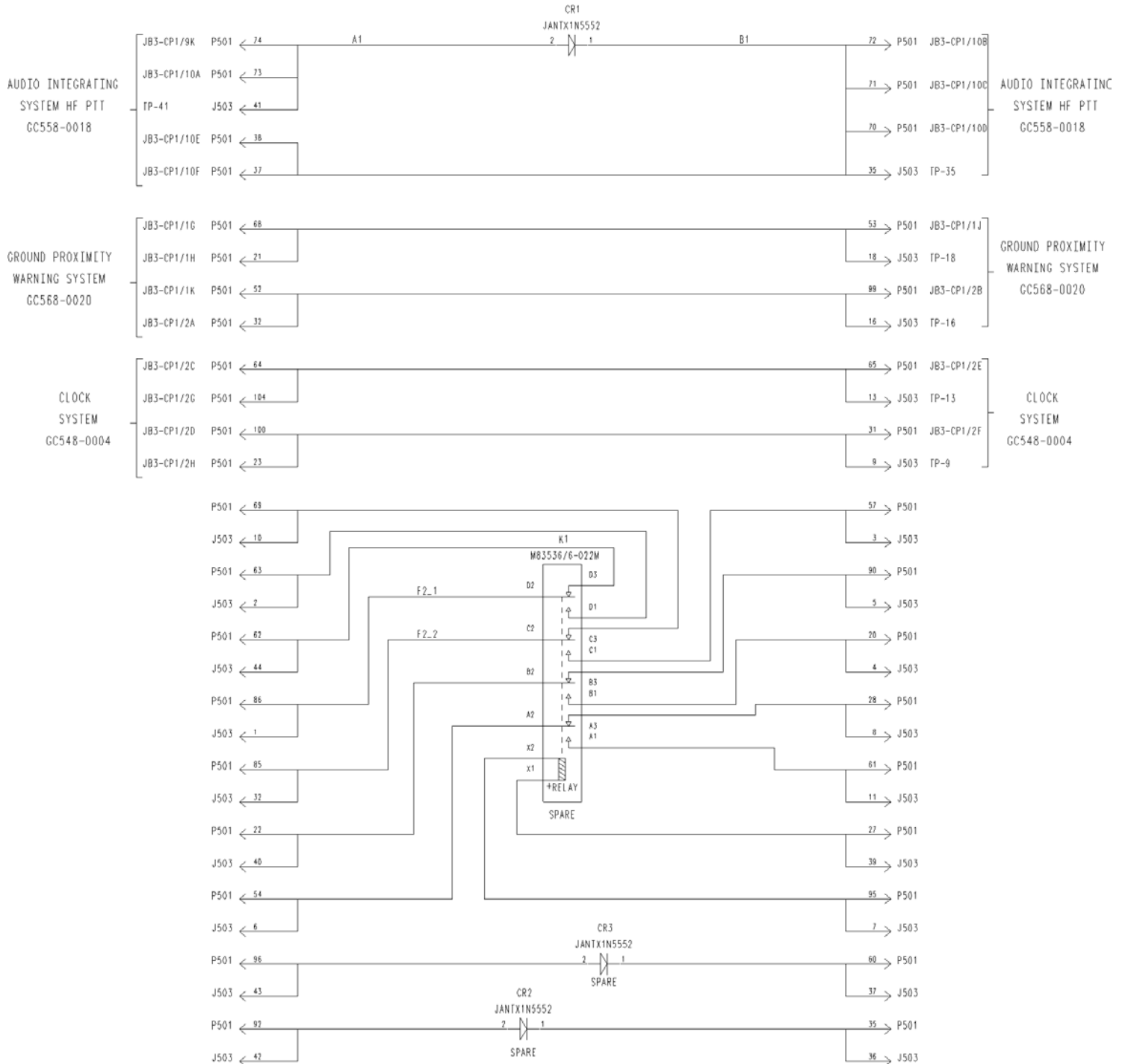
**Figure 105. Junction Box 3, DB4 Circuit Card Assembly Schematic (Sheet 3)  
(Part Number 00514-0066-0002) 93 Pin Testpoint Connector**

**ROSEMOUNT AEROSPACE INC.  
COMPONENT MAINTENANCE MANUAL  
SERIES 0514K**



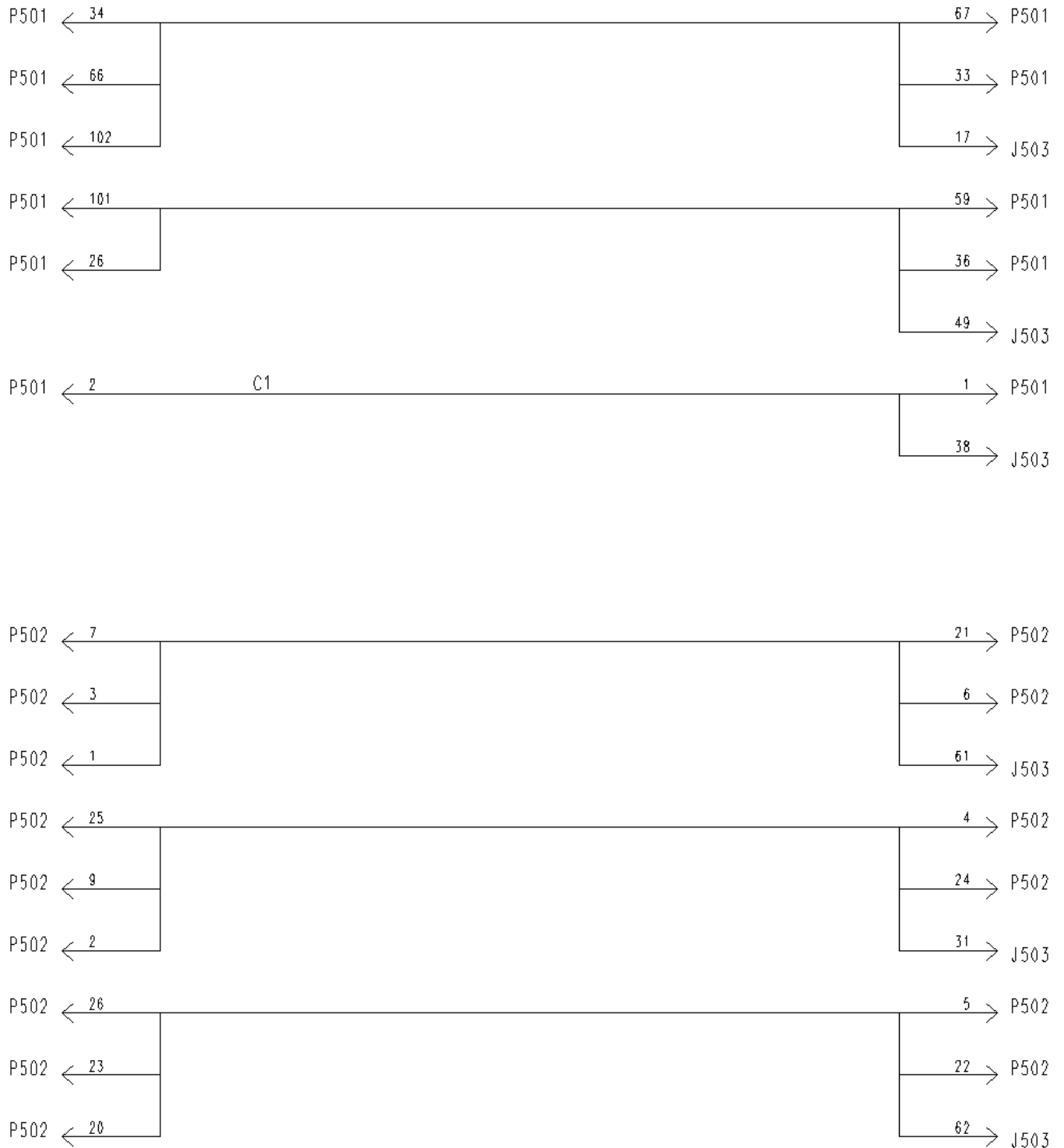
**Figure 106. Junction Box 3, DB5 Circuit Card Assembly Schematic (Sheet 1 of 3)  
(Part Number 00514-0069-0002) 93 Pin Testpoint Connector**

**ROSEMOUNT AEROSPACE INC.  
COMPONENT MAINTENANCE MANUAL  
SERIES 0514K**



**Figure 106. Junction Box 3, DB5 Circuit Card Assembly Schematic (Sheet 2)  
(Part Number 00514-0069-0002) 93 Pin Testpoint Connector**

**ROSEMOUNT AEROSPACE INC.  
 COMPONENT MAINTENANCE MANUAL  
 SERIES 0514K**



**Figure 106. Junction Box 3, DB5 Circuit Card Assembly Schematic (Sheet 3)  
 (Part Number 00514-0069-0002) 93 Pin Testpoint Connector**

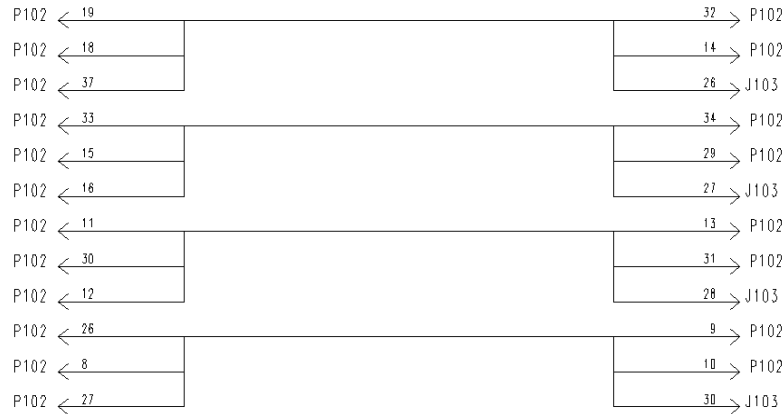
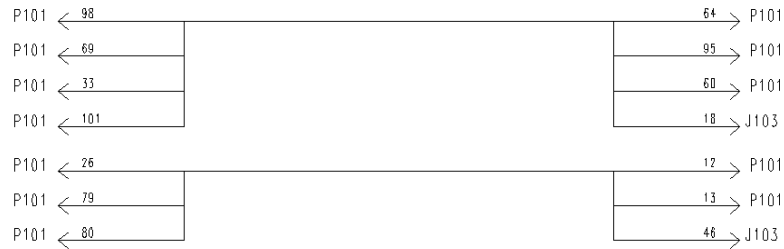
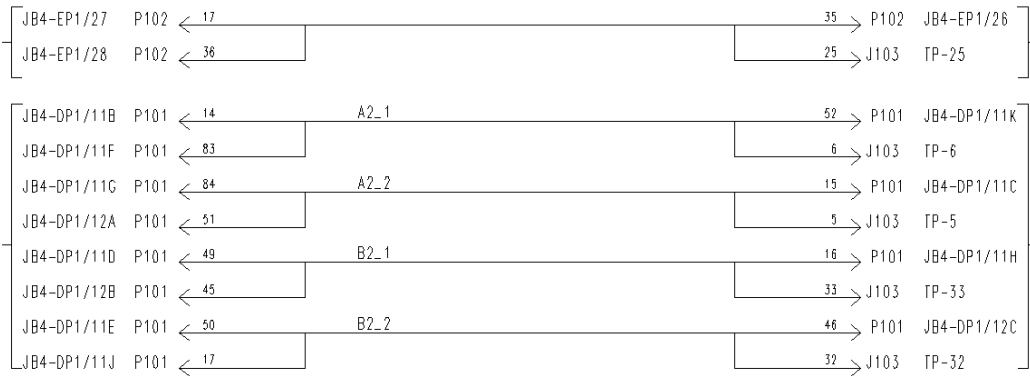
**ROSEMOUNT AEROSPACE INC.  
COMPONENT MAINTENANCE MANUAL  
SERIES 0514K**

ANTI-COLLISION  
LIGHTS SYSTEM  
GC538-0002

PNEUMATIC SYSTEM  
CONTROL (R.H.S.)  
GC588-0052

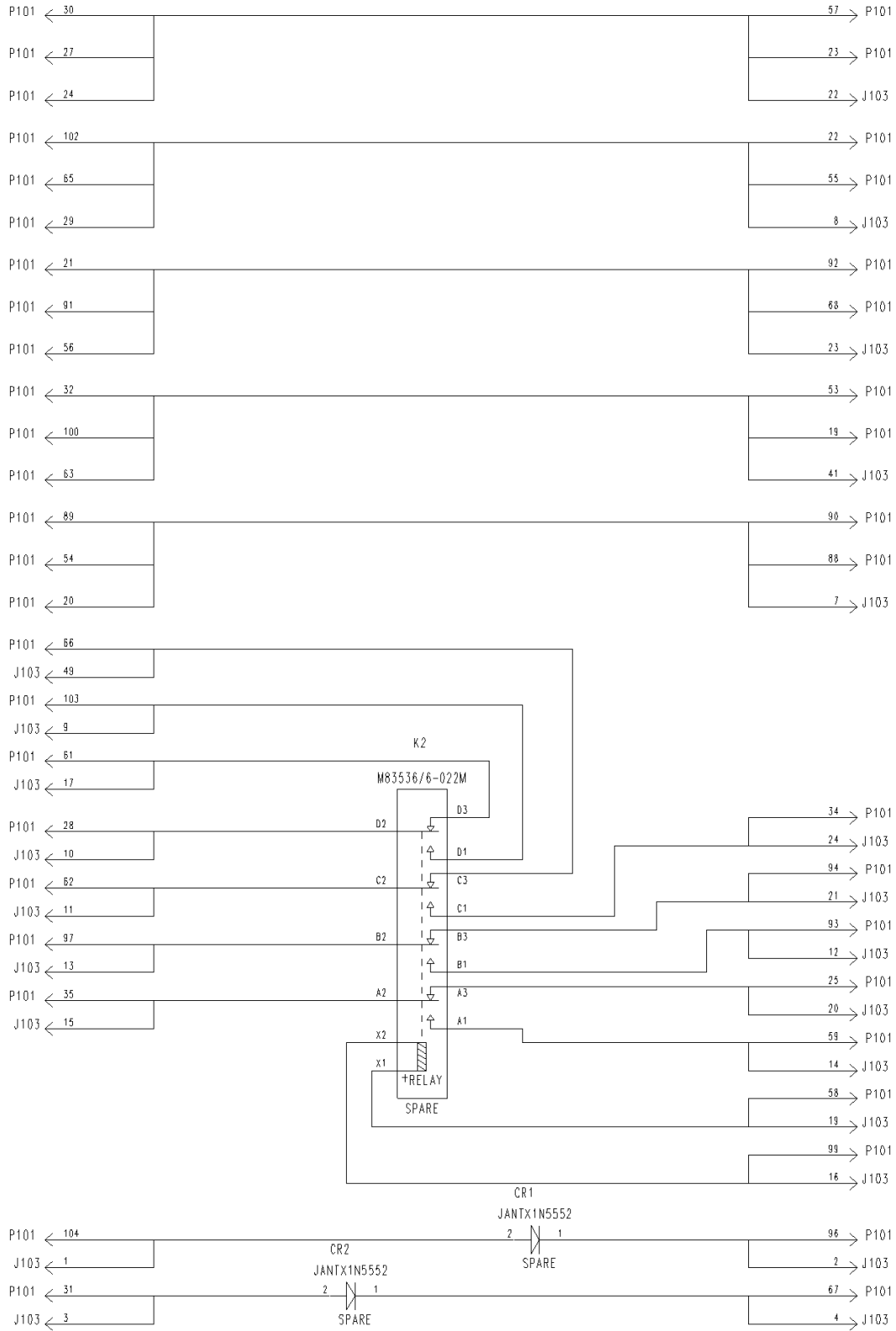
ANTI-COLLISION  
LIGHTS SYSTEM  
GC538-0002

PNEUMATIC SYSTEM  
CONTROL (R.H.S.)  
GC588-0052



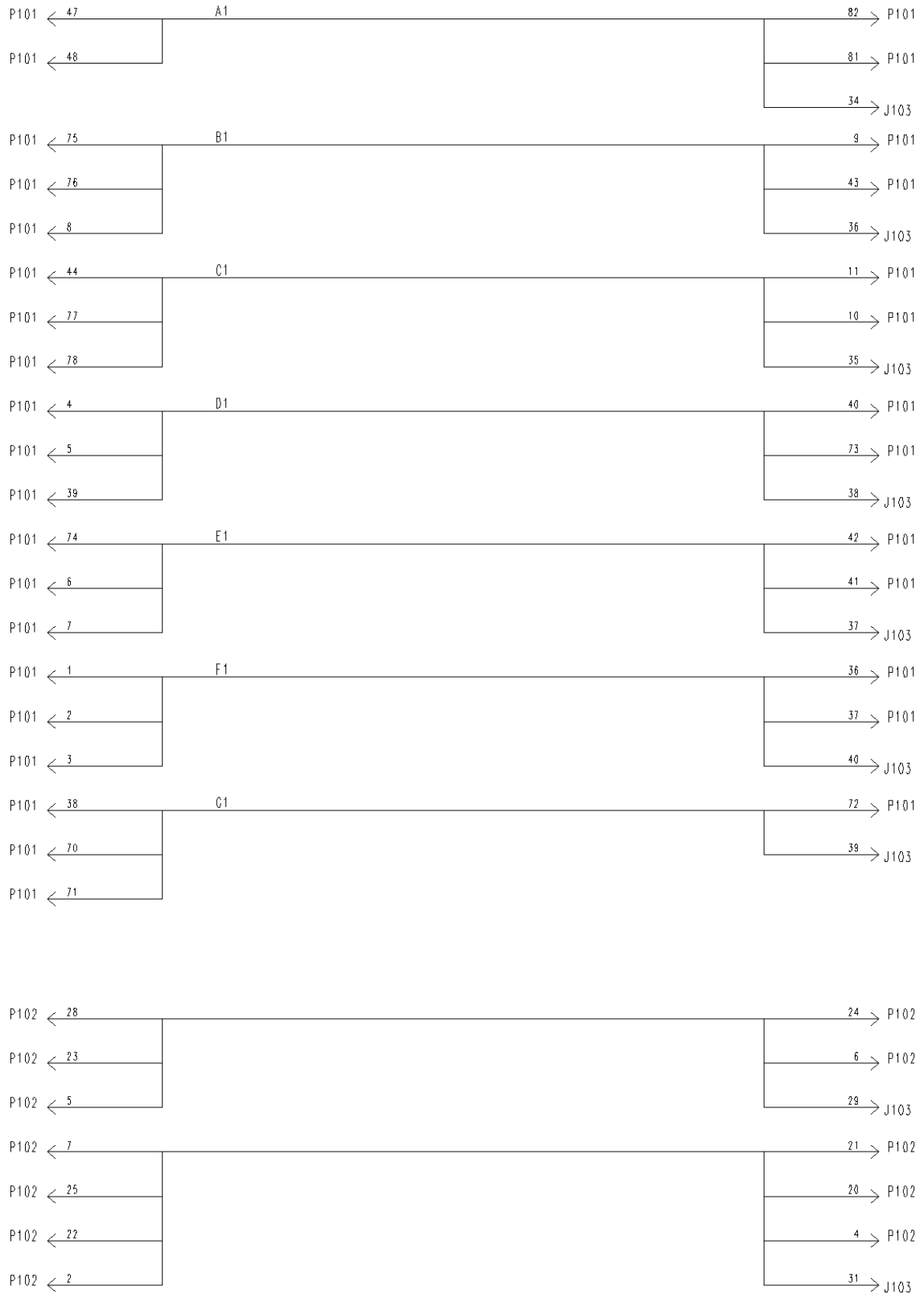
**Figure 107. Junction Box 4, DB1 Circuit Card Assembly Schematic (Sheet 1 of 3)  
(Part Number 00514-0088-0002) 93 Pin Testpoint Connector**

**ROSEMOUNT AEROSPACE INC.  
 COMPONENT MAINTENANCE MANUAL  
 SERIES 0514K**



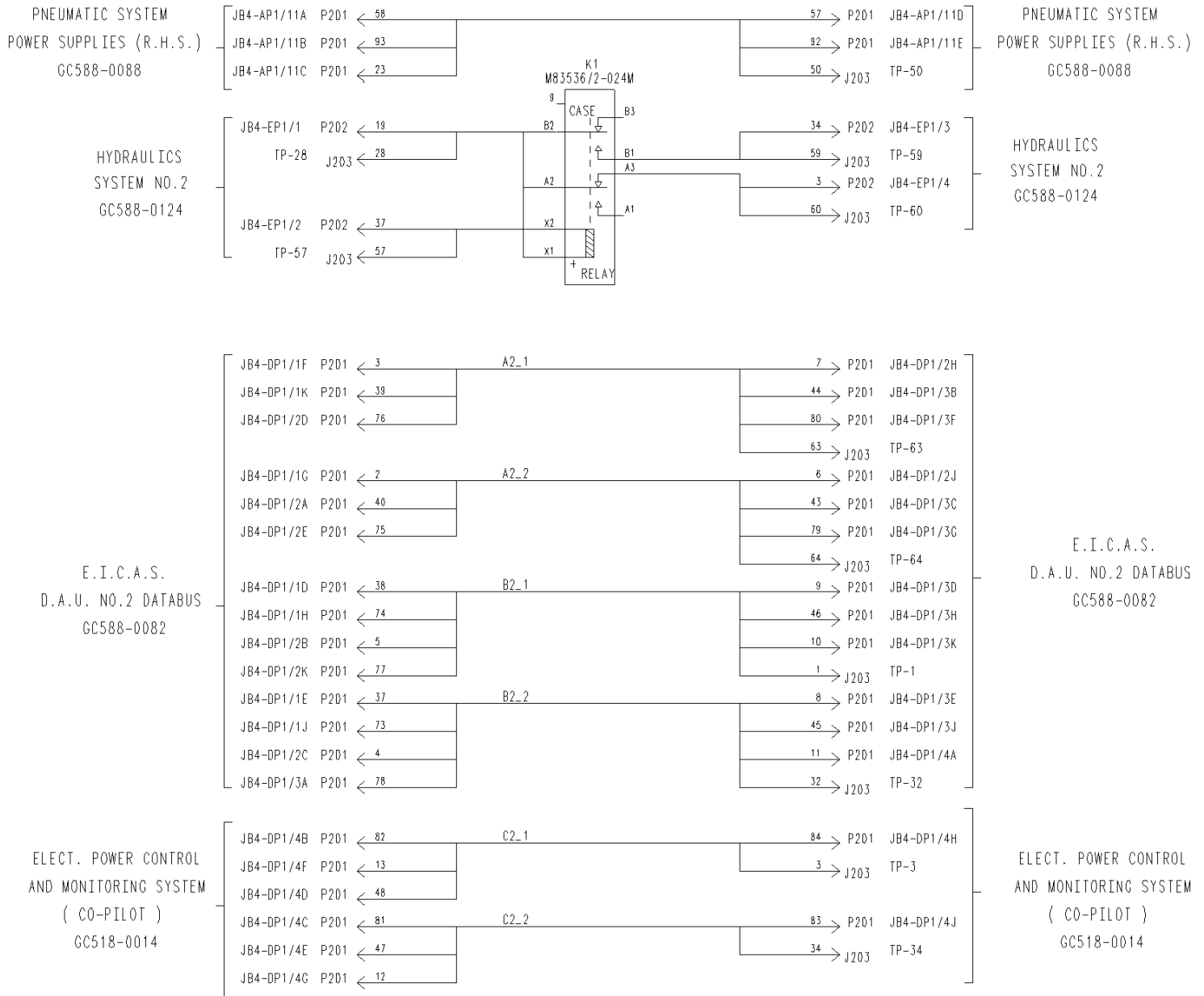
**Figure 107. Junction Box 4, DB1 Circuit Card Assembly Schematic (Sheet 2)  
 (Part Number 00514-0088-0002) 93 Pin Testpoint Connector**

**ROSEMOUNT AEROSPACE INC.  
COMPONENT MAINTENANCE MANUAL  
SERIES 0514K**



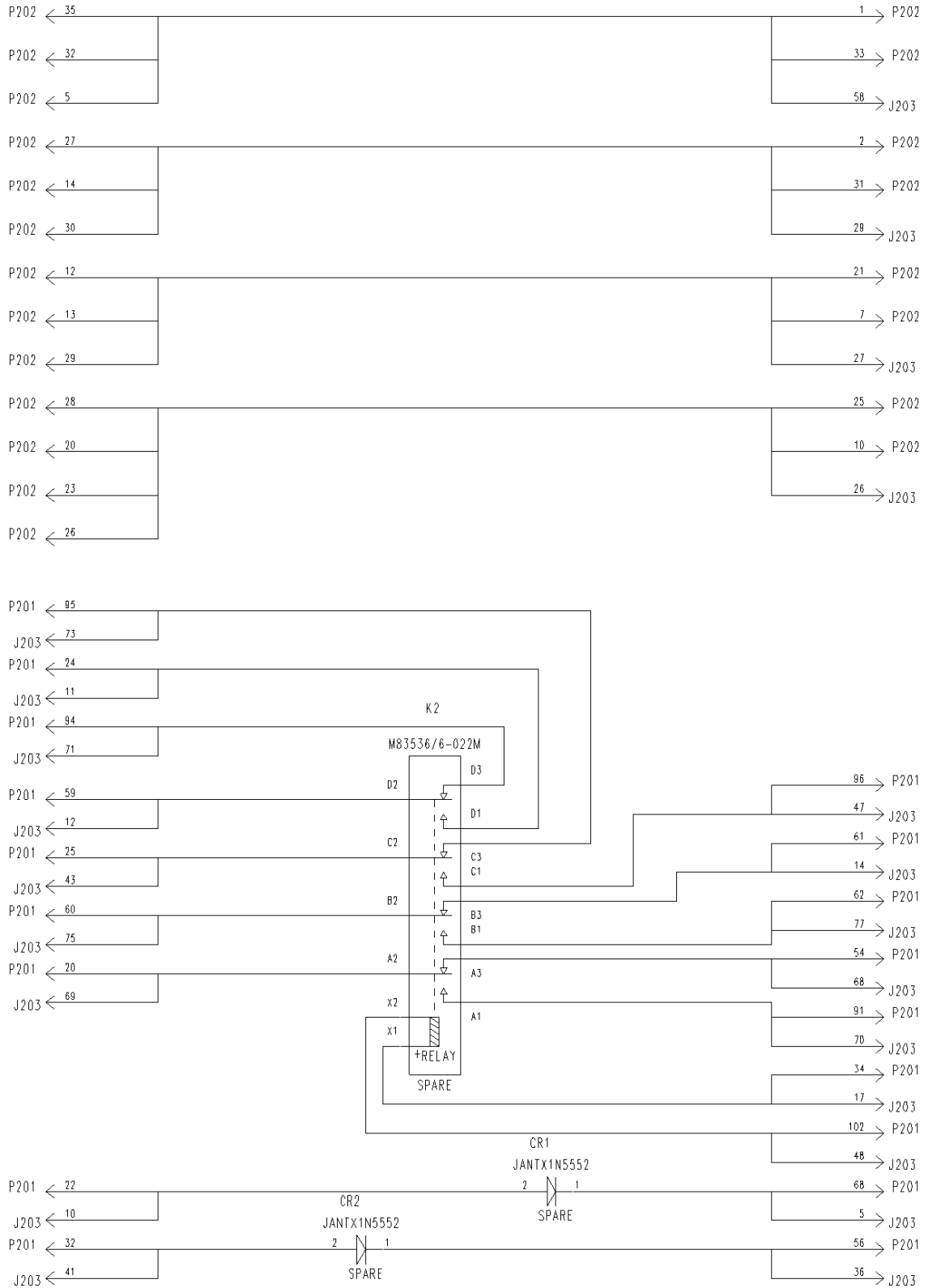
**Figure 107. Junction Box 4, DB1 Circuit Card Assembly Schematic (Sheet 3)  
(Part Number 00514-0088-0002) 93 Pin Testpoint Connector**

**ROSEMOUNT AEROSPACE INC.  
COMPONENT MAINTENANCE MANUAL  
SERIES 0514K**



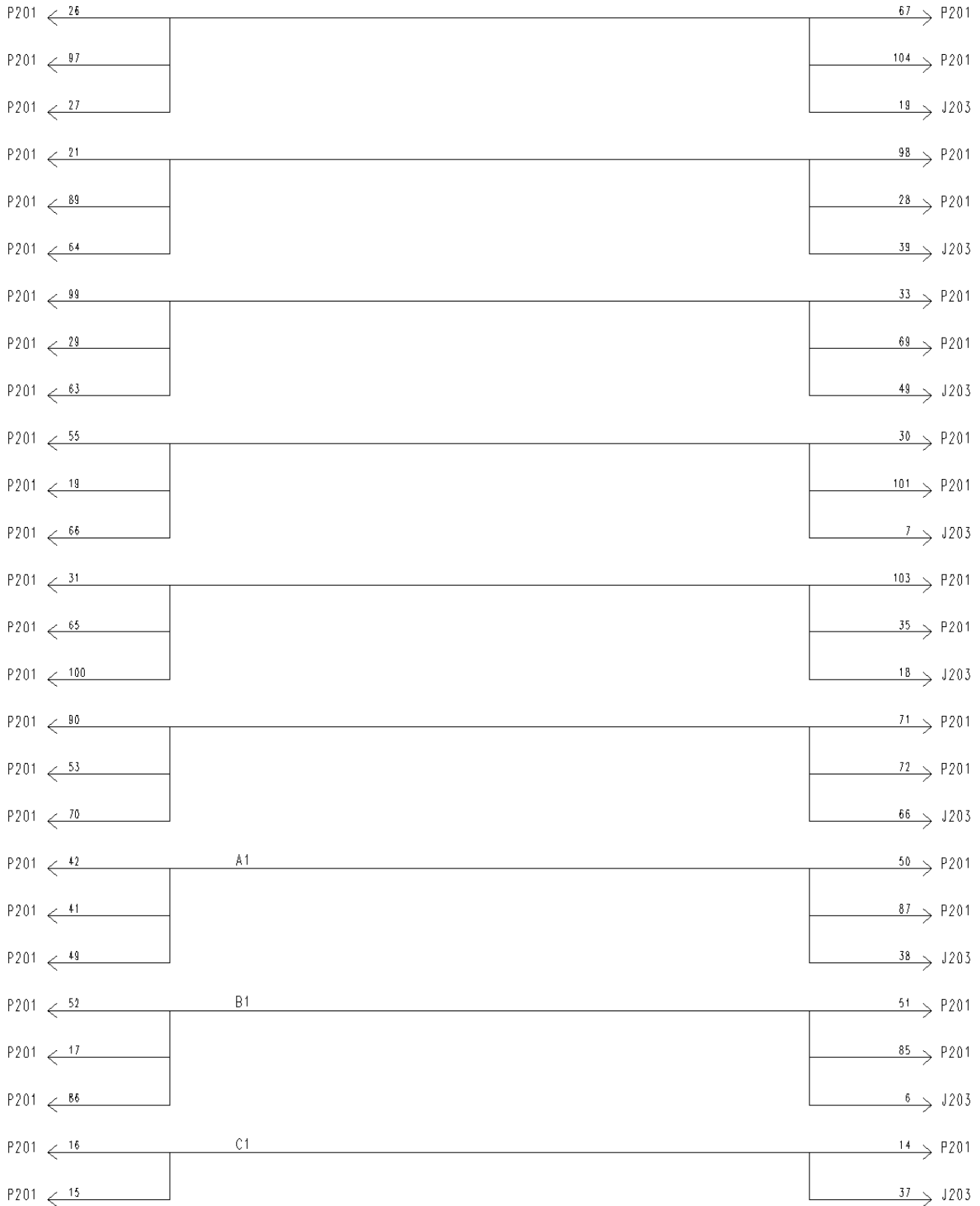
**Figure 108. Junction Box 4, DB2 Circuit Card Assembly Schematic (Sheet 1 of 3)  
(Part Number 00514-0091-0002) 93 Pin Testpoint Connector**

**ROSEMOUNT AEROSPACE INC.  
COMPONENT MAINTENANCE MANUAL  
SERIES 0514K**



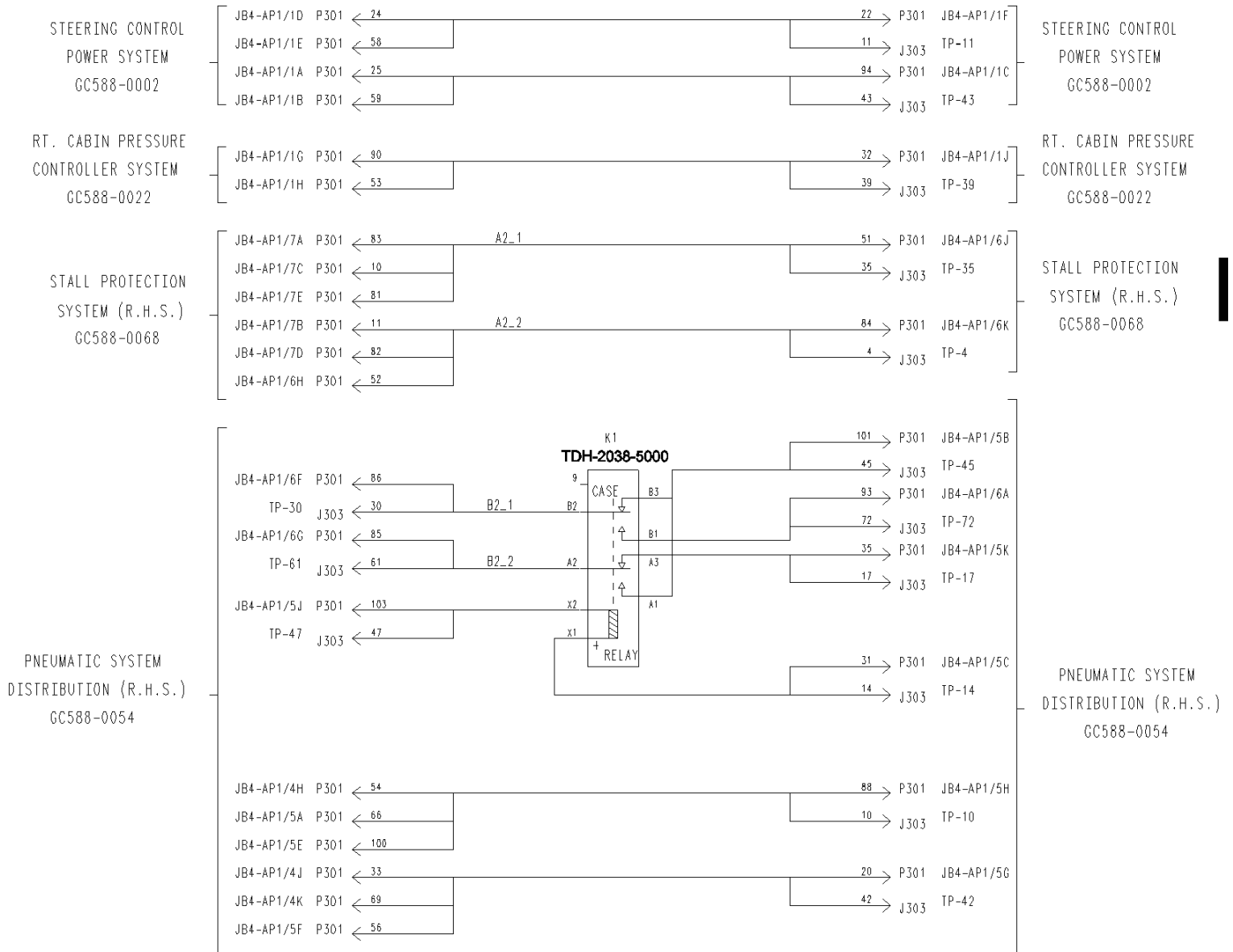
**Figure 108. Junction Box 4, DB2 Circuit Card Assembly Schematic (Sheet 2)  
(Part Number 00514-0091-0002) 93 Pin Testpoint Connector**

**ROSEMOUNT AEROSPACE INC.  
COMPONENT MAINTENANCE MANUAL  
SERIES 0514K**



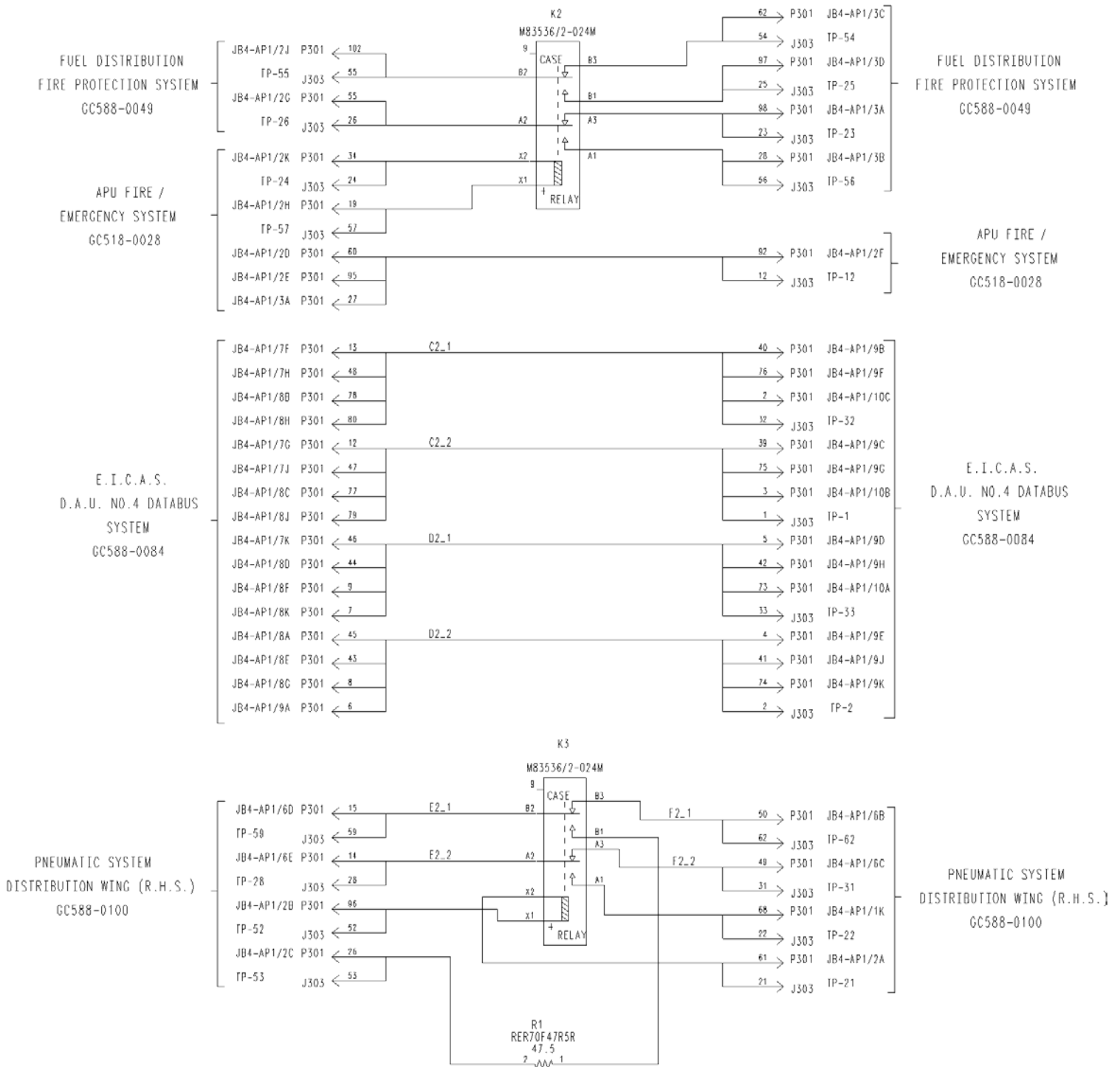
**Figure 108. Junction Box 4, DB2 Circuit Card Assembly Schematic (Sheet 3)  
(Part Number 00514-0091-0002) 93 Pin Testpoint Connector**

**ROSEMOUNT AEROSPACE INC.  
COMPONENT MAINTENANCE MANUAL  
SERIES 0514K**



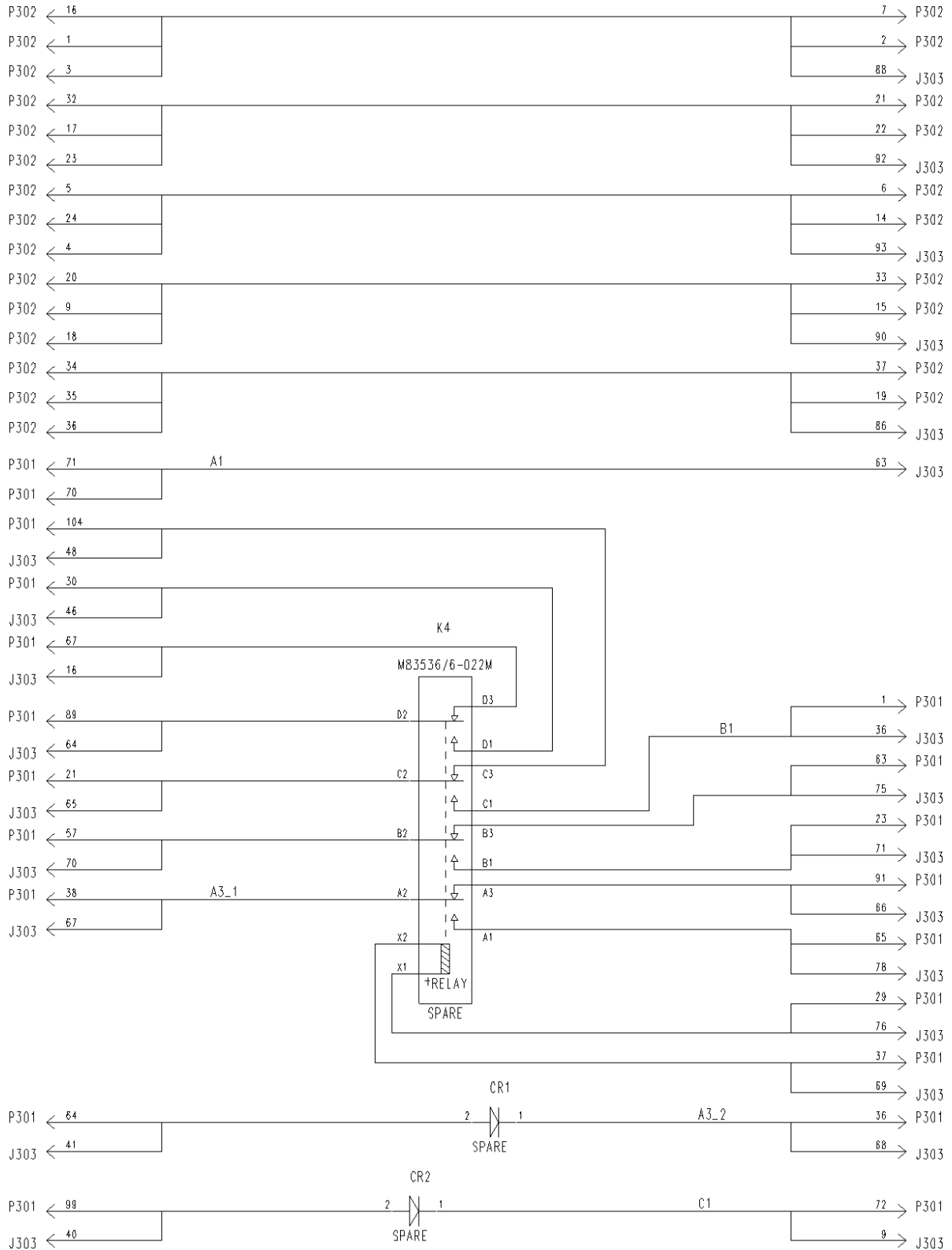
**Figure 109. Junction Box 4, DB3 Circuit Card Assembly Schematic (Sheet 1 of 3)  
(Part Number 00514-0094-0002) 93 Pin Testpoint Connector**

**ROSEMOUNT AEROSPACE INC.  
COMPONENT MAINTENANCE MANUAL  
SERIES 0514K**



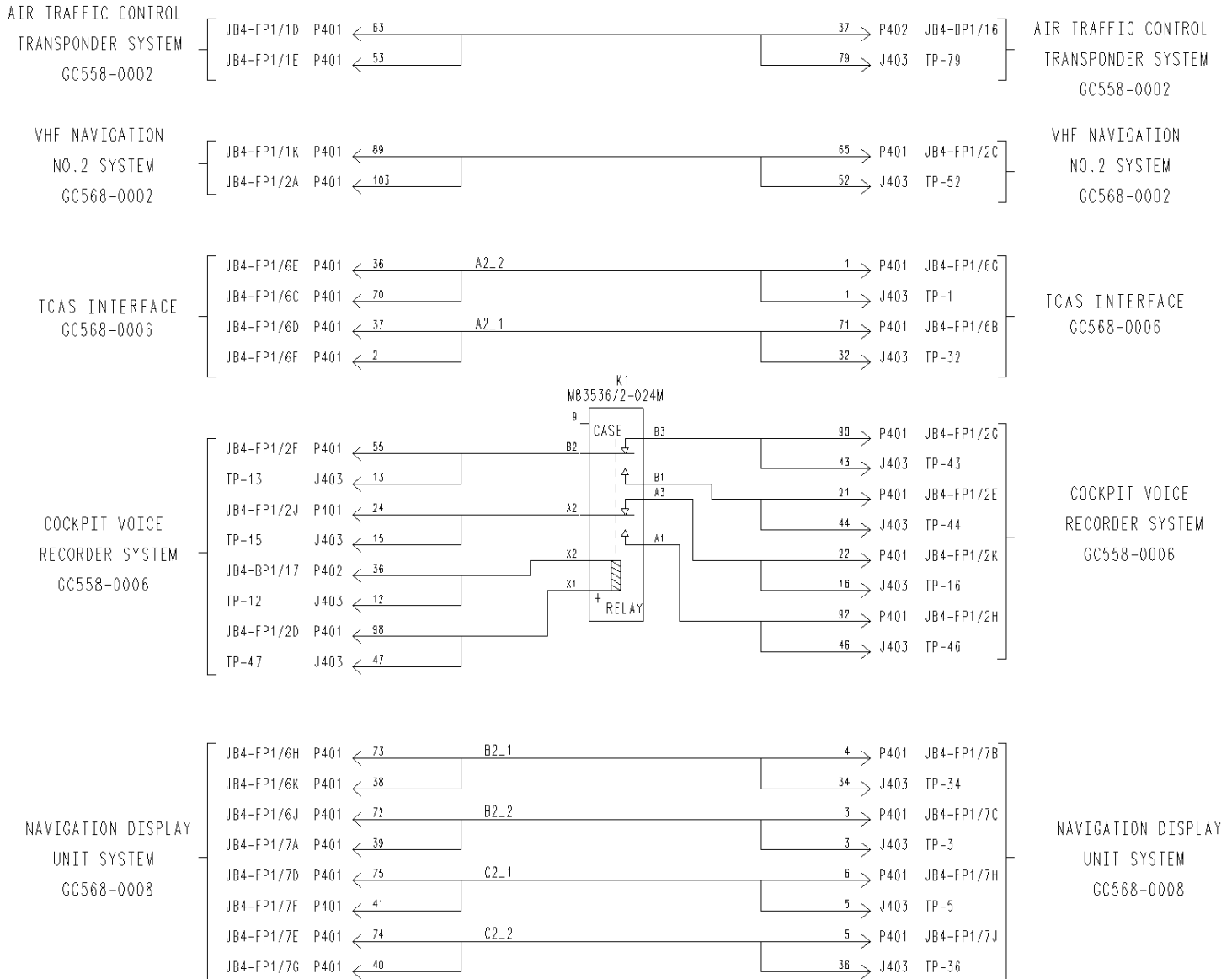
**Figure 109. Junction Box 4, DB3 Circuit Card Assembly Schematic (Sheet 2)  
(Part Number 00514-0094-0002) 93 Pin Testpoint Connector**

**ROSEMOUNT AEROSPACE INC.  
COMPONENT MAINTENANCE MANUAL  
SERIES 0514K**



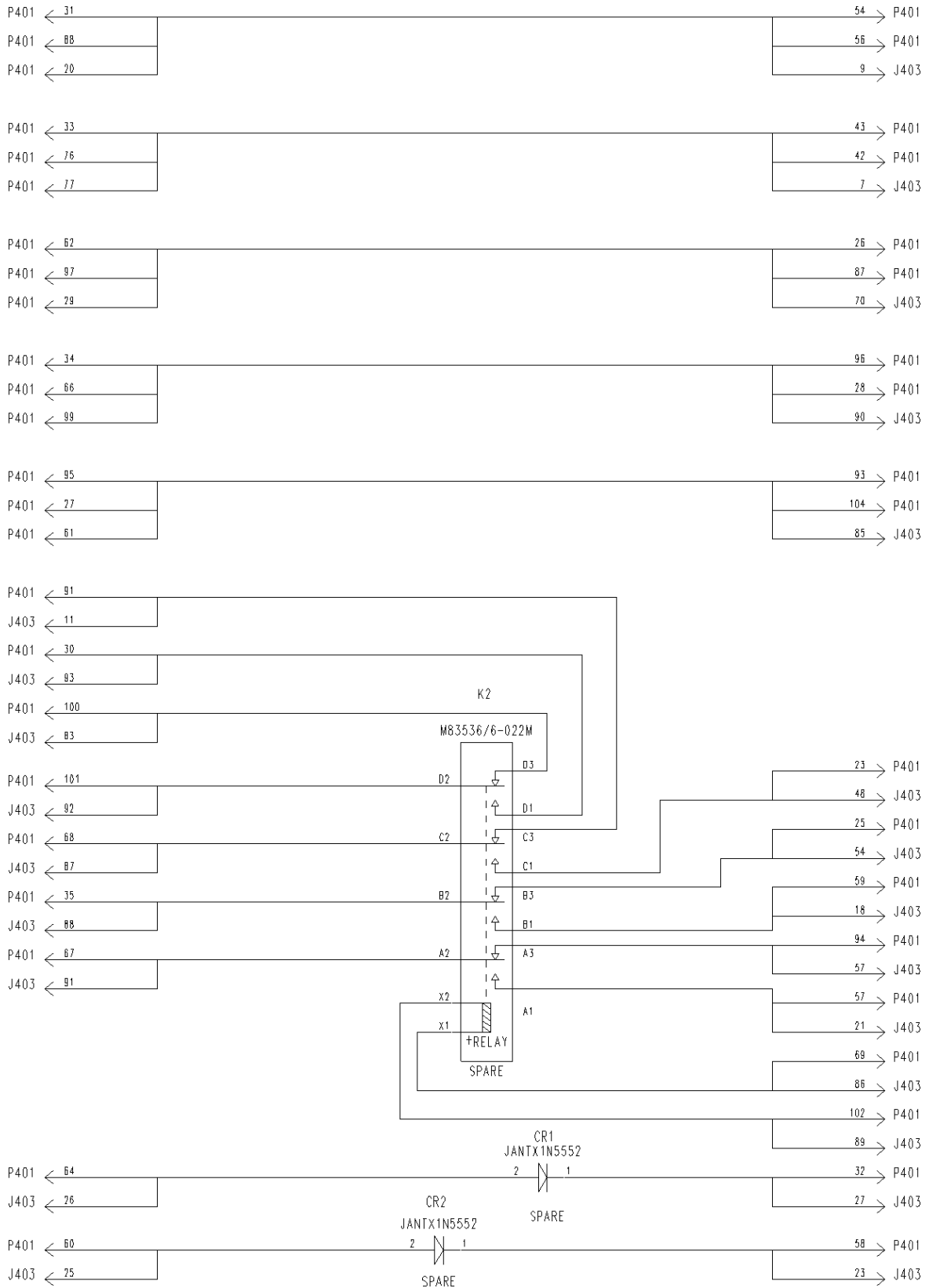
**Figure 109. Junction Box 4, DB3 Circuit Card Assembly Schematic (Sheet 3)  
(Part Number 00514-0094-0002) 93 Pin Testpoint Connector**

**ROSEMOUNT AEROSPACE INC.  
COMPONENT MAINTENANCE MANUAL  
SERIES 0514K**



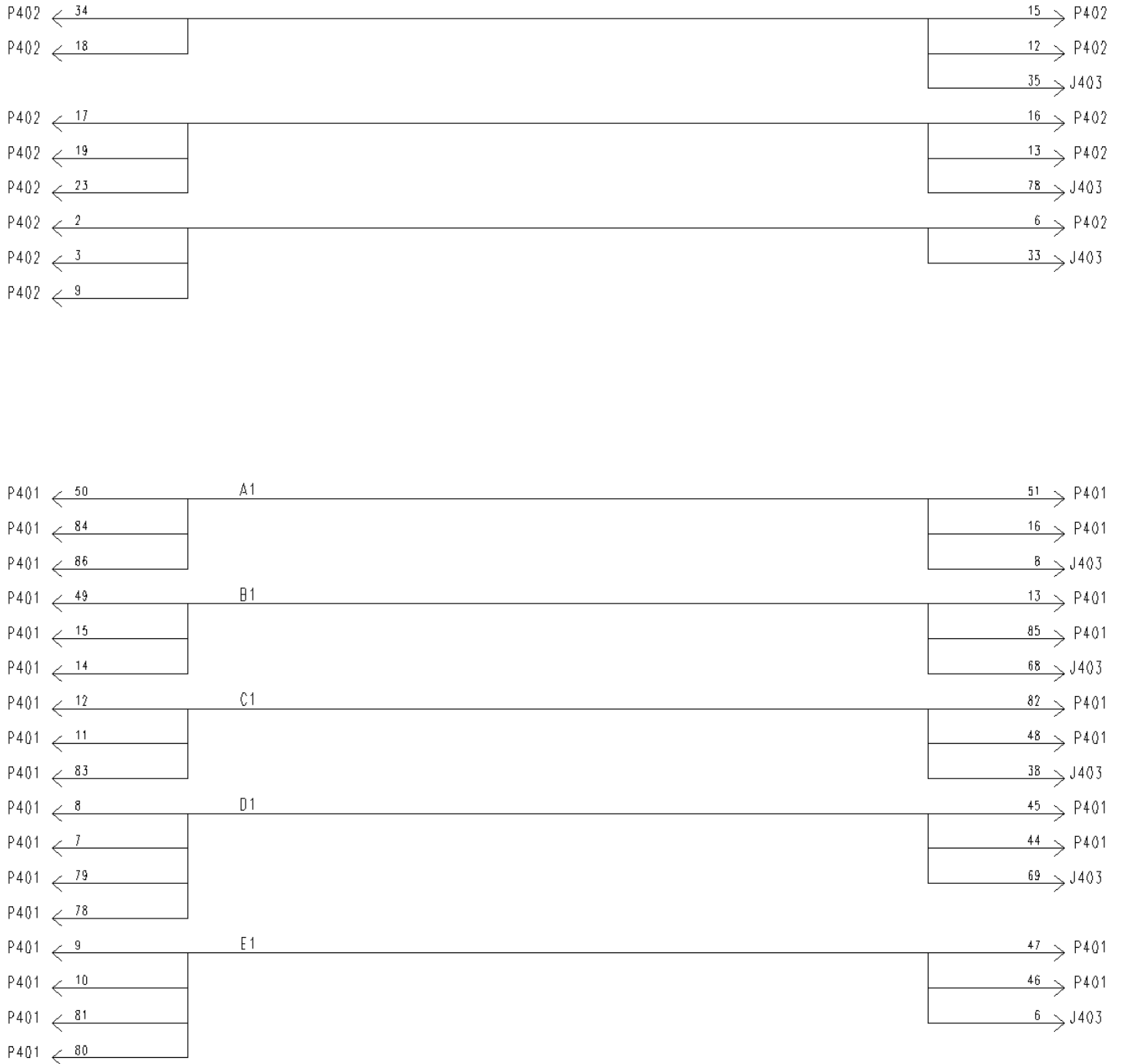
**Figure 110. Junction Box 4, DB4 Circuit Card Assembly Schematic (Sheet 1 of 3)  
(Part Number 00514-0097-0002) 93 Pin Testpoint Connector**

**ROSEMOUNT AEROSPACE INC.  
COMPONENT MAINTENANCE MANUAL  
SERIES 0514K**



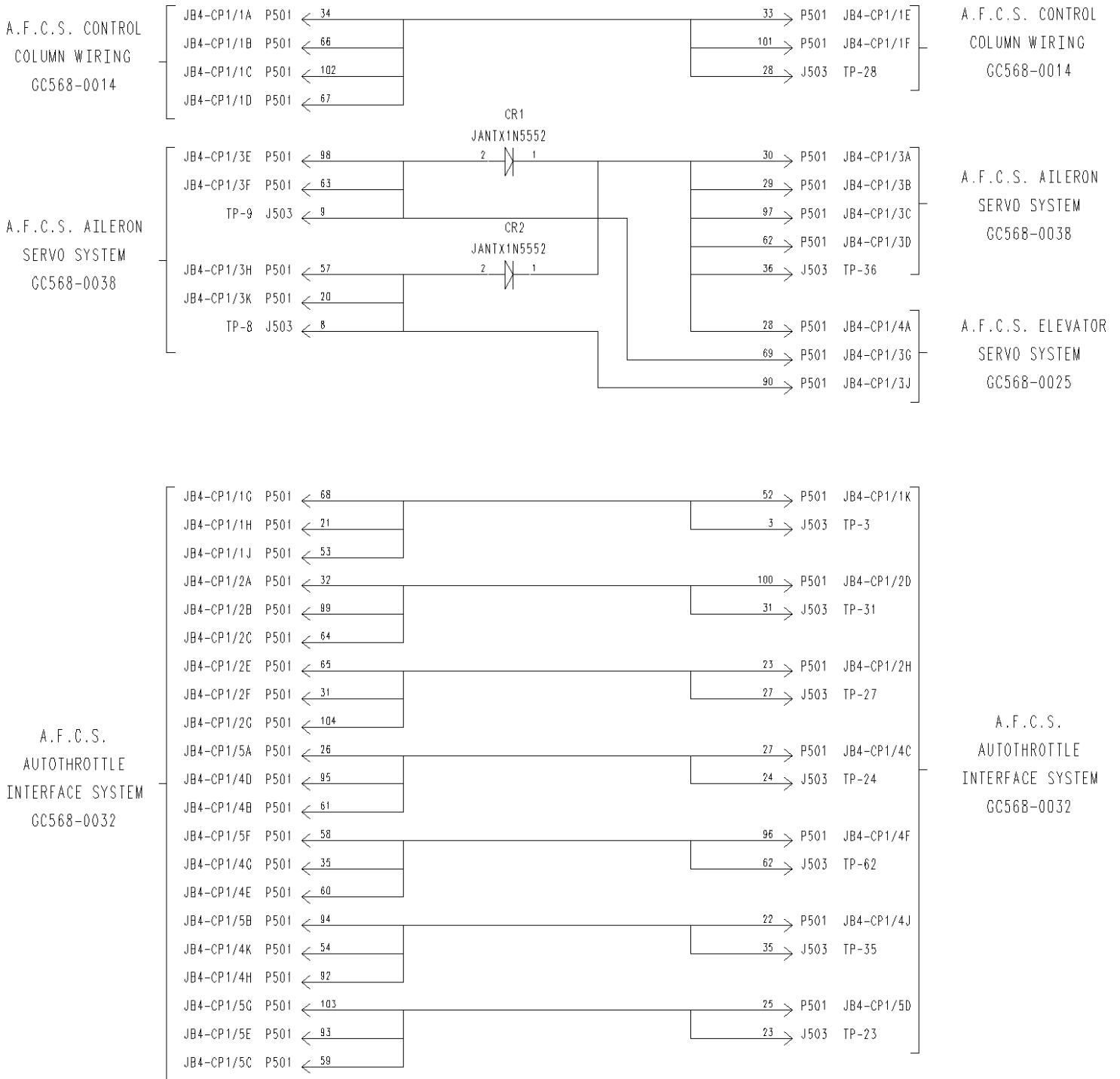
**Figure 110. Junction Box 4, DB4 Circuit Card Assembly Schematic (Sheet 2)  
(Part Number 00514-0097-0002) 93 Pin Testpoint Connector**

**ROSEMOUNT AEROSPACE INC.  
 COMPONENT MAINTENANCE MANUAL  
 SERIES 0514K**



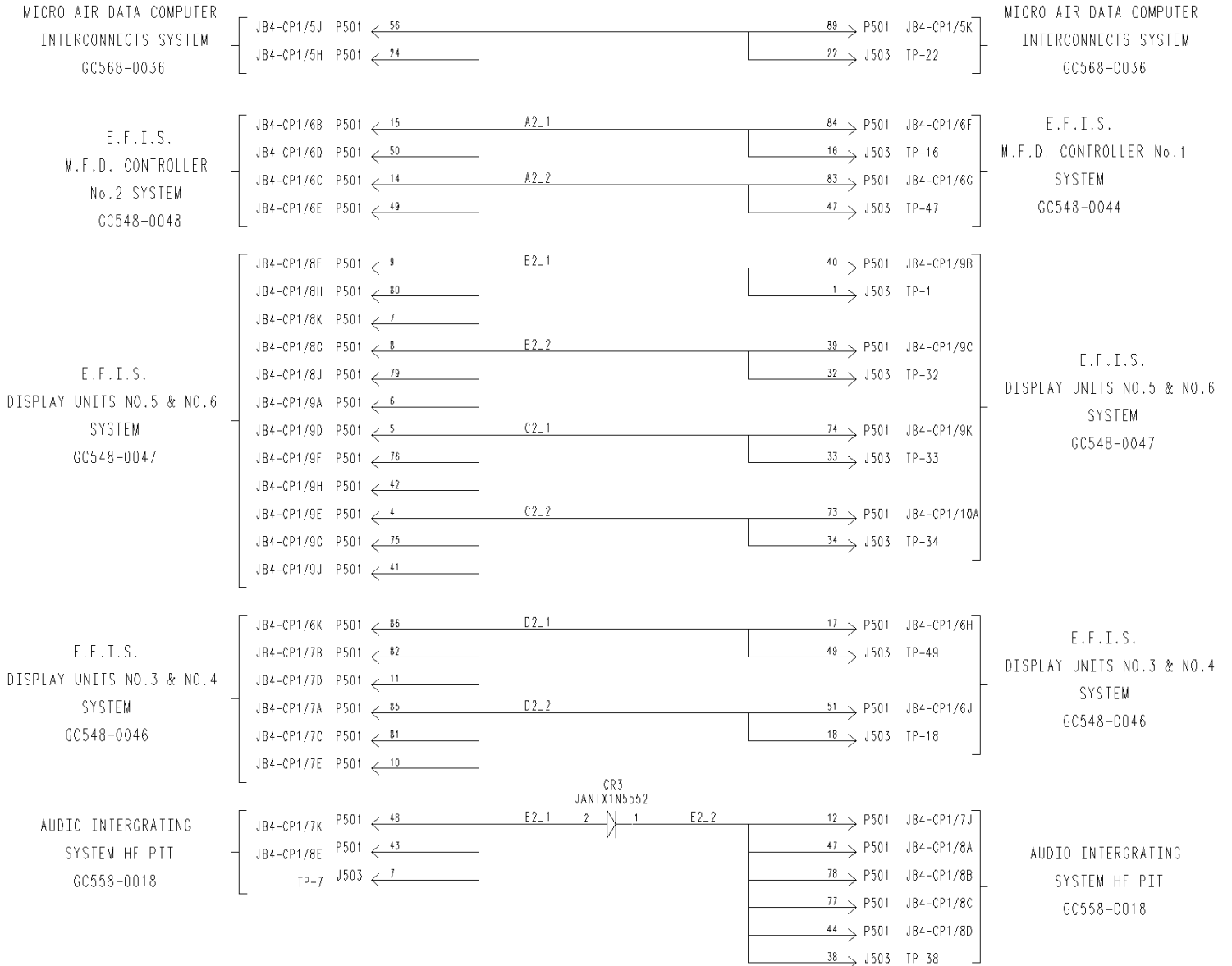
**Figure 110. Junction Box 4, DB4 Circuit Card Assembly Schematic (Sheet 3)  
 (Part Number 00514-0097-0002) 93 Pin Testpoint Connector**

**ROSEMOUNT AEROSPACE INC.  
COMPONENT MAINTENANCE MANUAL  
SERIES 0514K**



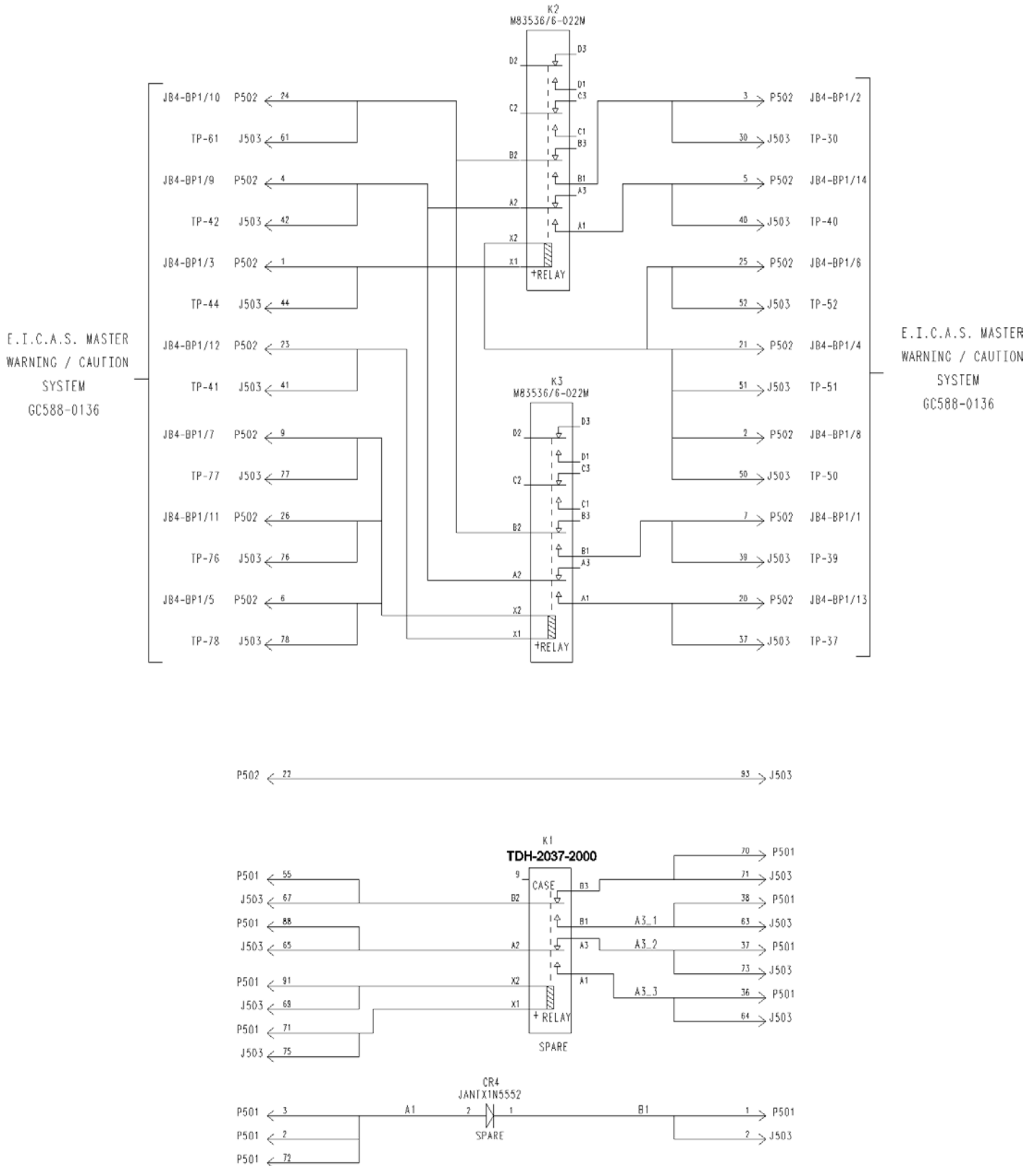
**Figure 111. Junction Box 4, DB5 Circuit Card Assembly Schematic (Sheet 1 of 3)  
(Part Number 00514-0100-0002) 93 Pin Testpoint Connector**

**ROSEMOUNT AEROSPACE INC.  
COMPONENT MAINTENANCE MANUAL  
SERIES 0514K**



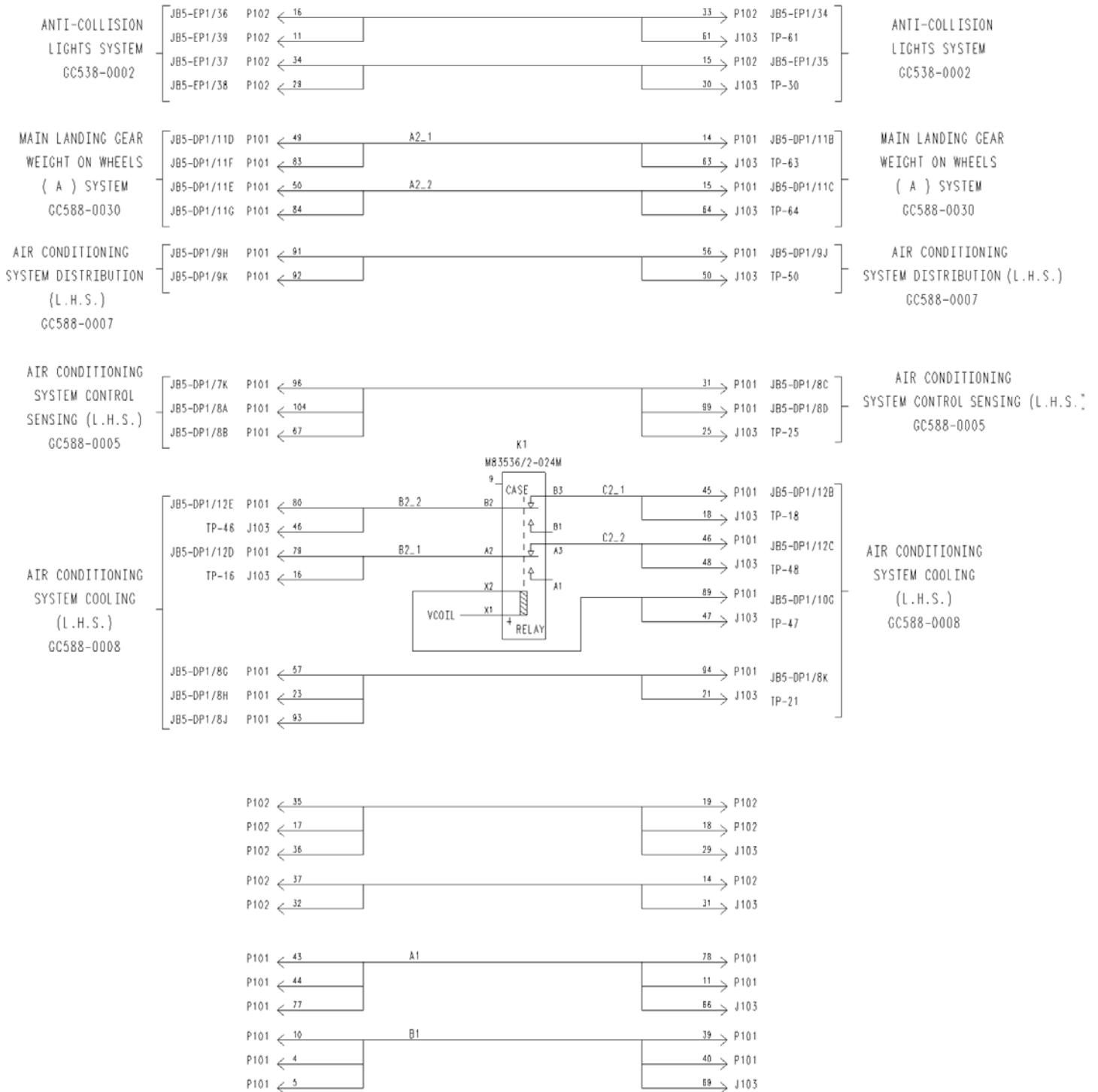
**Figure 111. Junction Box 4, DB5 Circuit Card Assembly Schematic (Sheet 2)  
(Part Number 00514-0100-0002) 93 Pin Testpoint Connector**

**ROSEMOUNT AEROSPACE INC.  
COMPONENT MAINTENANCE MANUAL  
SERIES 0514K**



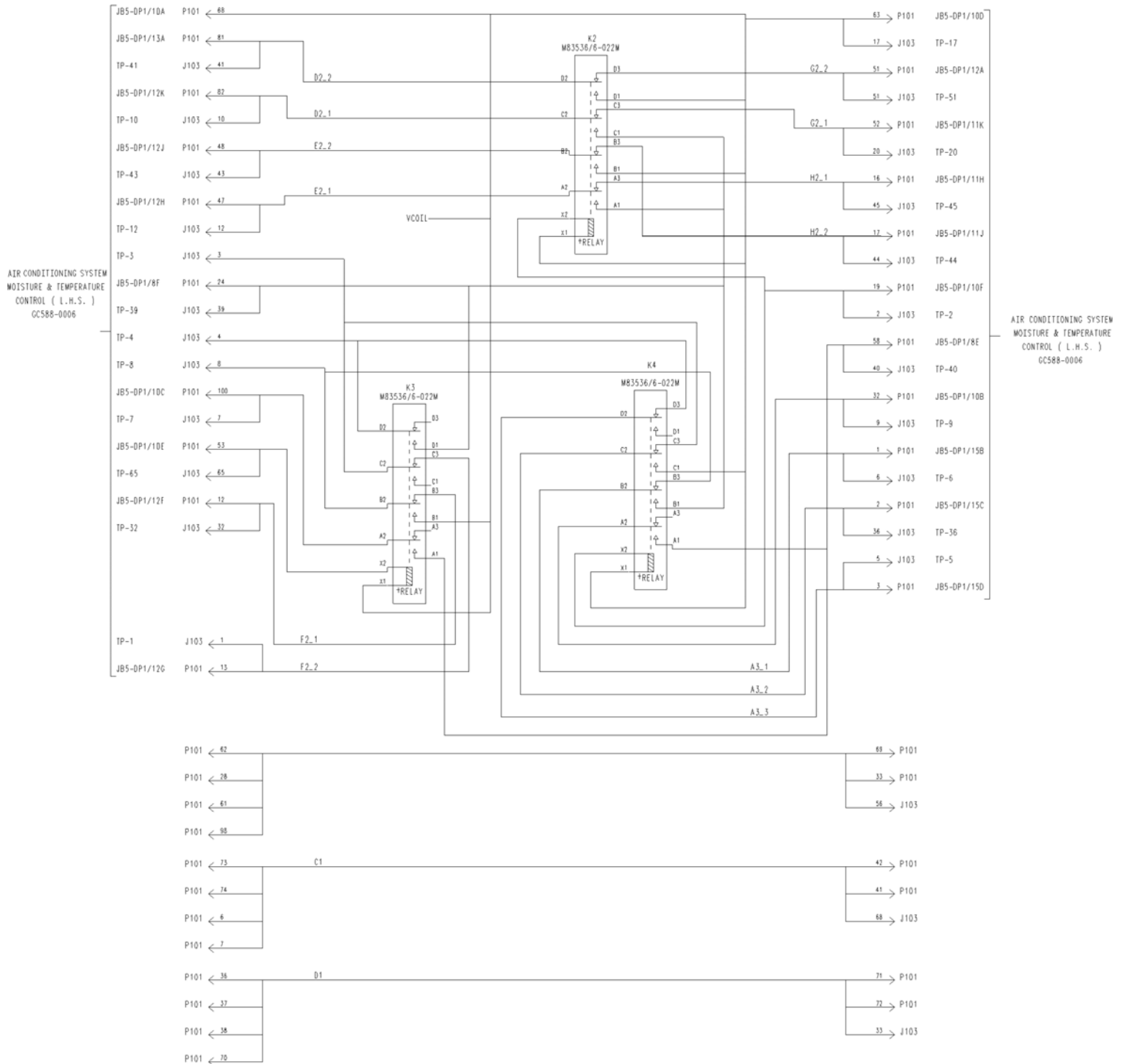
**Figure 111. Junction Box 4, DB5 Circuit Card Assembly Schematic (Sheet 3)  
(Part Number 00514-0100-0002) 93 Pin Testpoint Connector**

**ROSEMOUNT AEROSPACE INC.  
COMPONENT MAINTENANCE MANUAL  
SERIES 0514K**



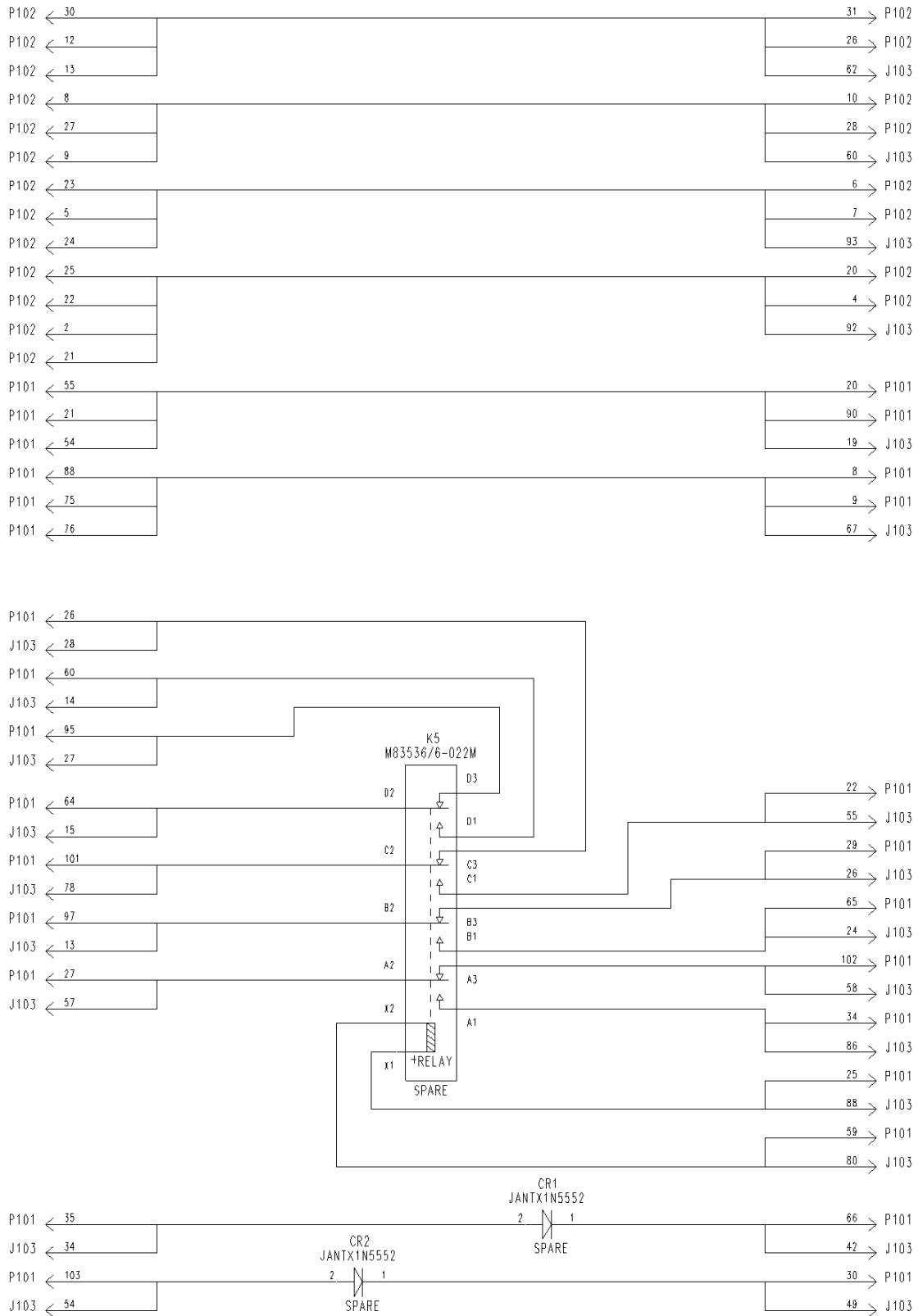
**Figure 112. Junction Box 5, DB1 Circuit Card Assembly Schematic (Sheet 1 of 3)  
(Part Number 00514-0104-0003) 93 Pin Testpoint Connector**

**ROSEMOUNT AEROSPACE INC.  
COMPONENT MAINTENANCE MANUAL  
SERIES 0514K**



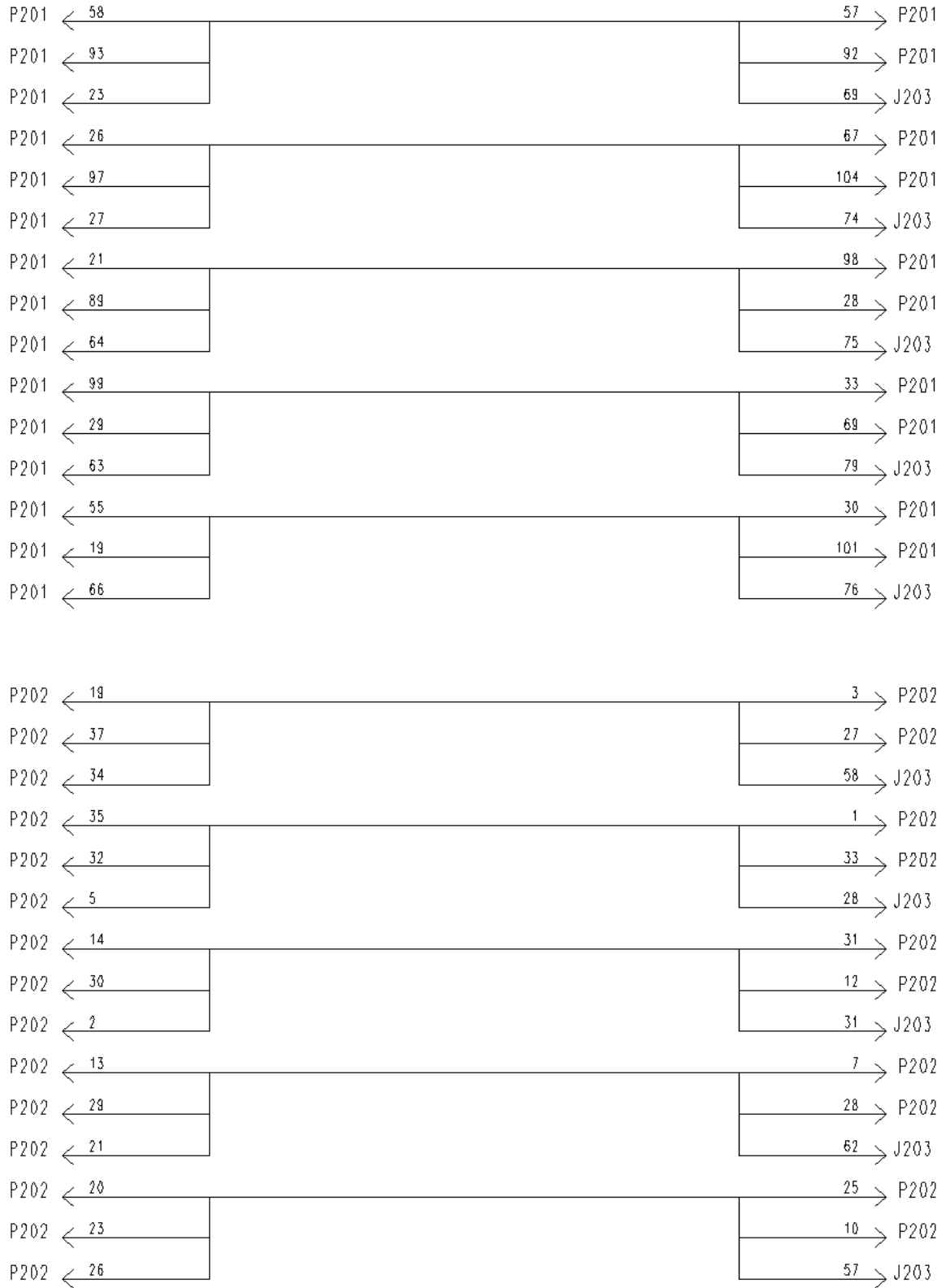
**Figure 112. Junction Box 5, DB1 Circuit Card Assembly Schematic (Sheet 2)  
(Part Number 00514-0104-0003) 93 Pin Testpoint Connector**

**ROSEMOUNT AEROSPACE INC.  
COMPONENT MAINTENANCE MANUAL  
SERIES 0514K**



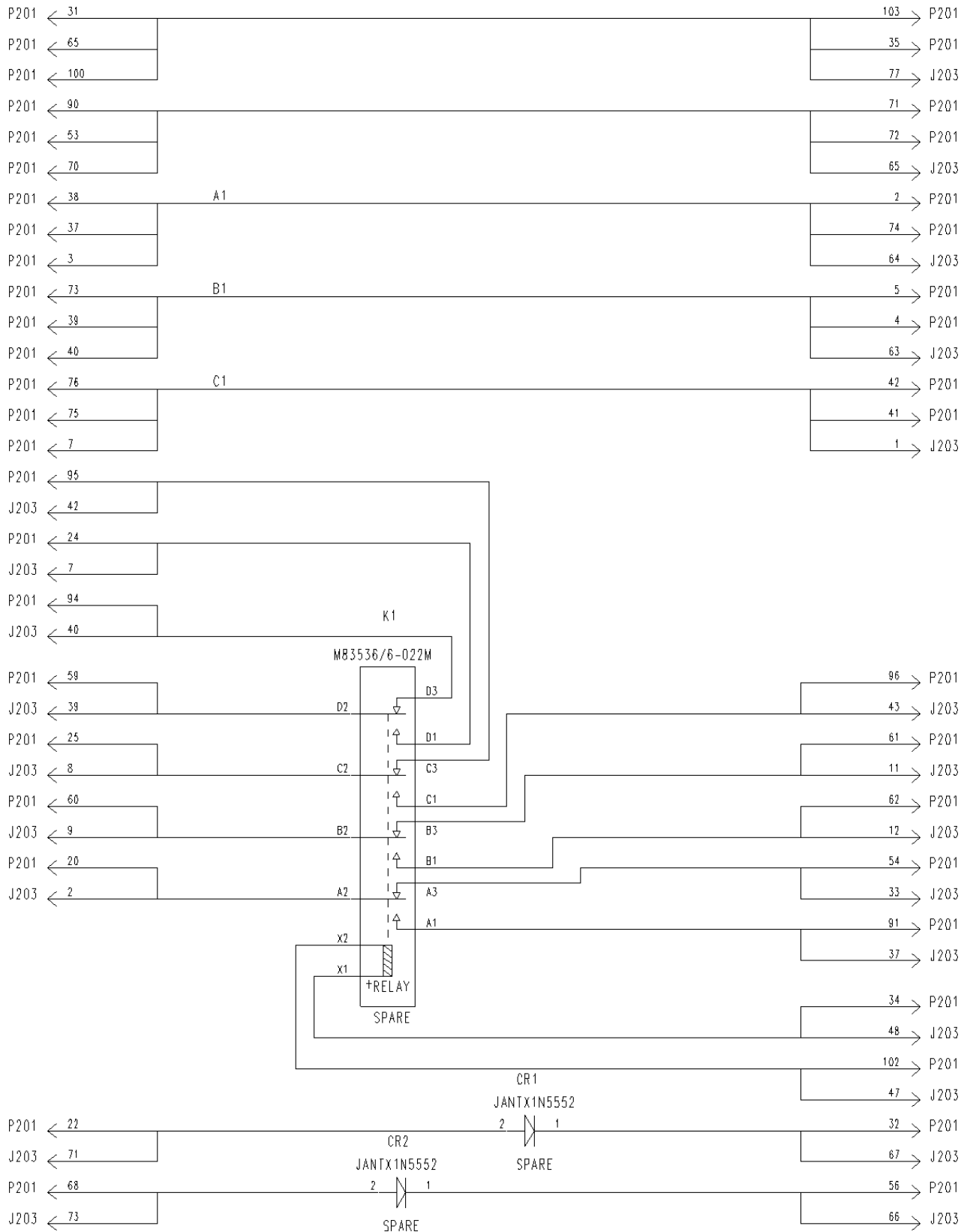
**Figure 112. Junction Box 5, DB1 Circuit Card Assembly Schematic (Sheet 3)  
(Part Number 00514-0104-0003) 93 Pin Testpoint Connector**

**ROSEMOUNT AEROSPACE INC.  
COMPONENT MAINTENANCE MANUAL  
SERIES 0514K**



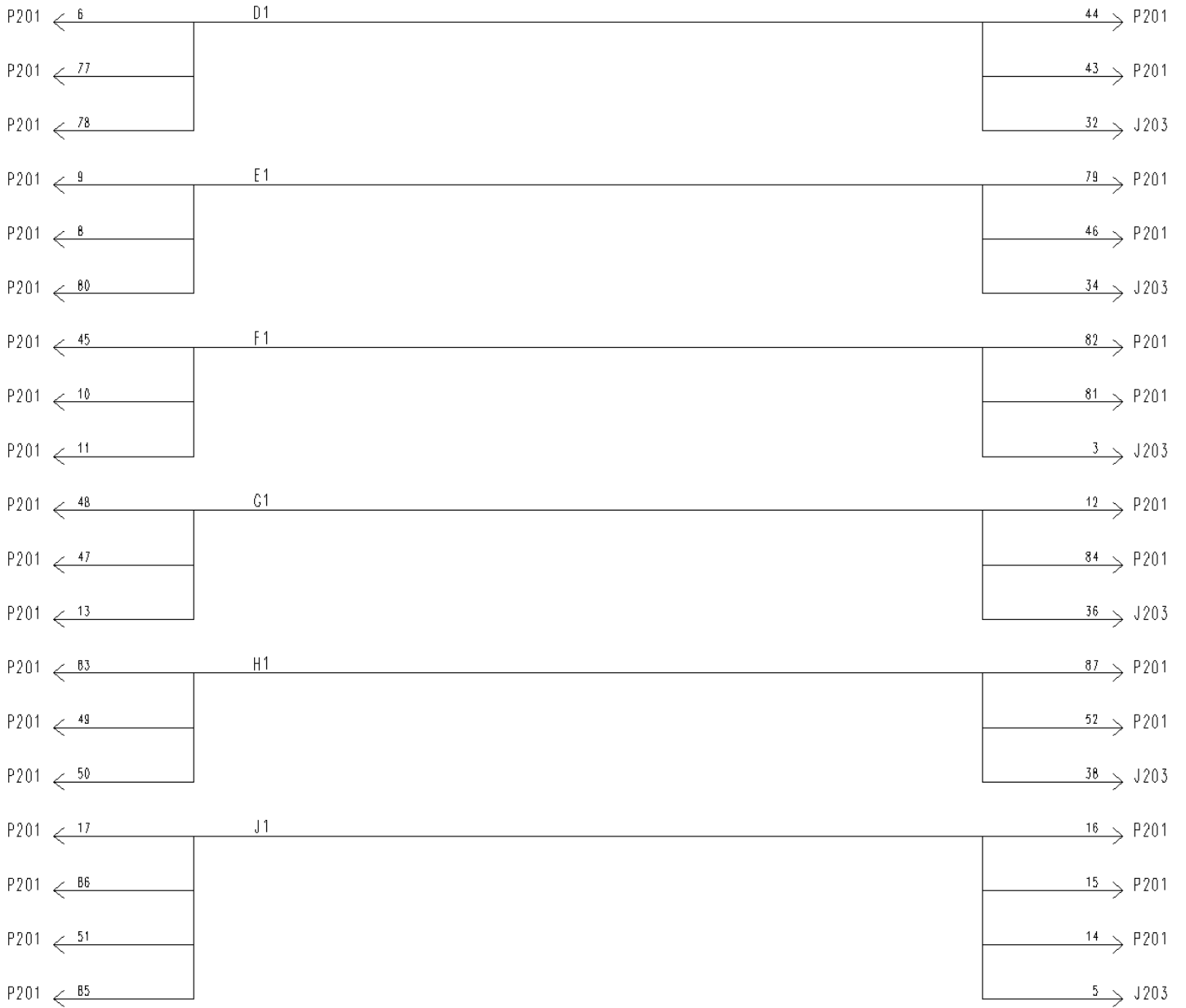
**Figure 113. Junction Box 5, DB2 Circuit Card Assembly Schematic (Sheet 1 of 3)  
(Part Number 00514-0107-0002) 93 Pin Testpoint Connector**

**ROSEMOUNT AEROSPACE INC.  
COMPONENT MAINTENANCE MANUAL  
SERIES 0514K**



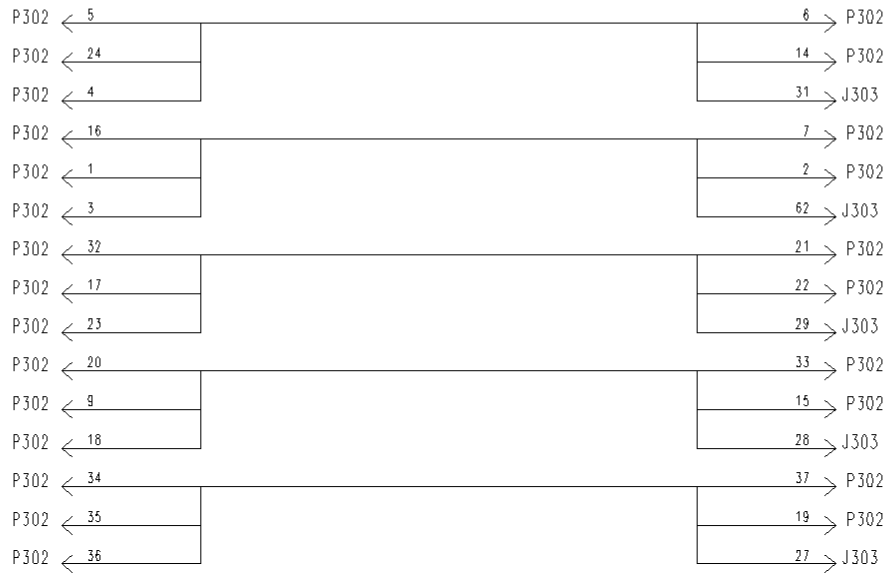
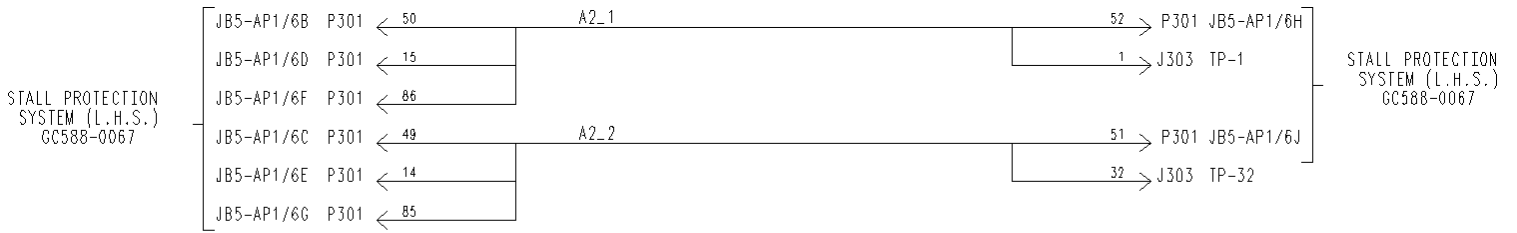
**Figure 113. Junction Box 5, DB2 Circuit Card Assembly Schematic (Sheet 2)  
(Part Number 00514-0107-0002) 93 Pin Testpoint Connector**

**ROSEMOUNT AEROSPACE INC.  
 COMPONENT MAINTENANCE MANUAL  
 SERIES 0514K**



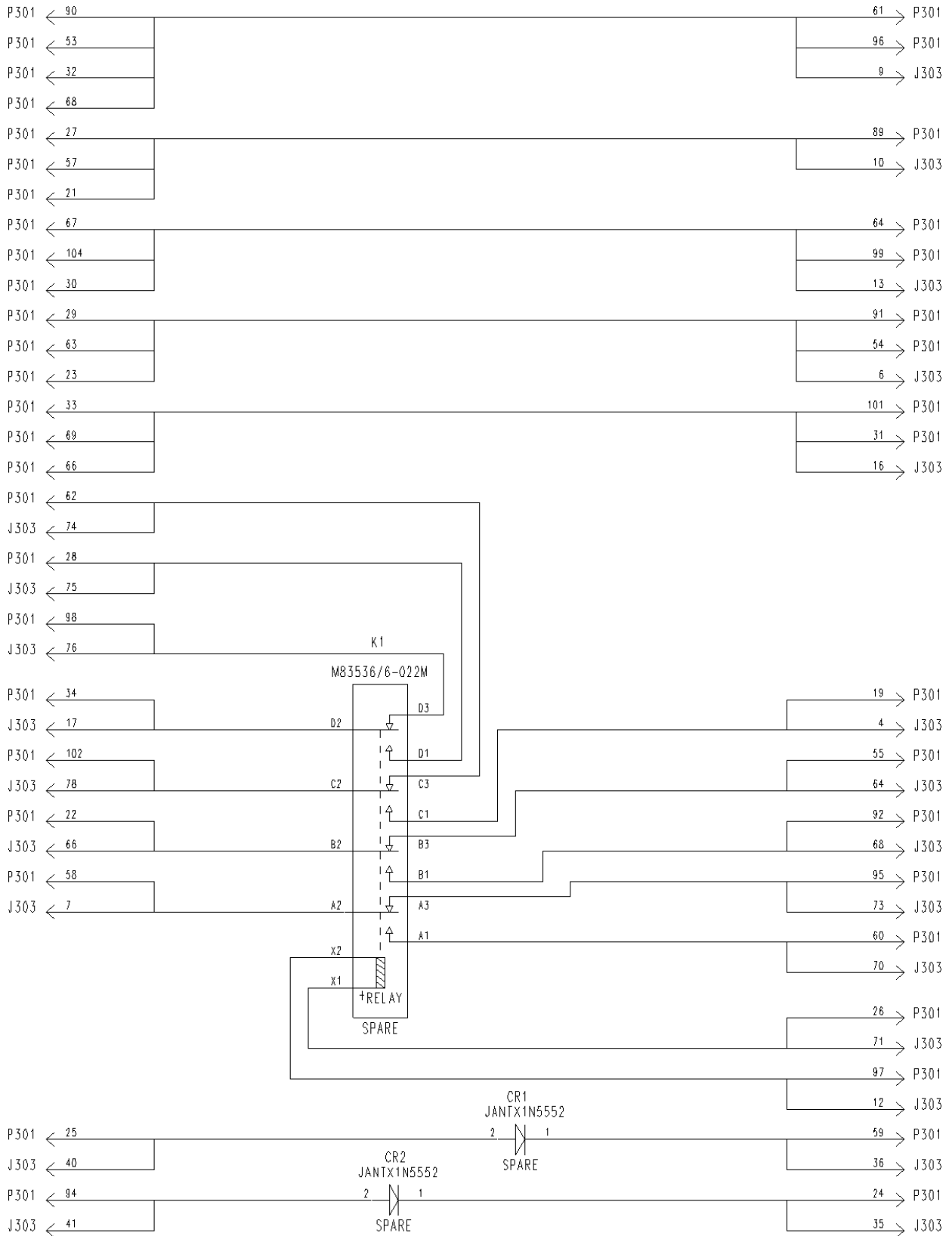
**Figure 113. Junction Box 5, DB2 Circuit Card Assembly Schematic (Sheet 3)  
 (Part Number 00514-0107-0002) 93 Pin Testpoint Connector**

**ROSEMOUNT AEROSPACE INC.  
 COMPONENT MAINTENANCE MANUAL  
 SERIES 0514K**



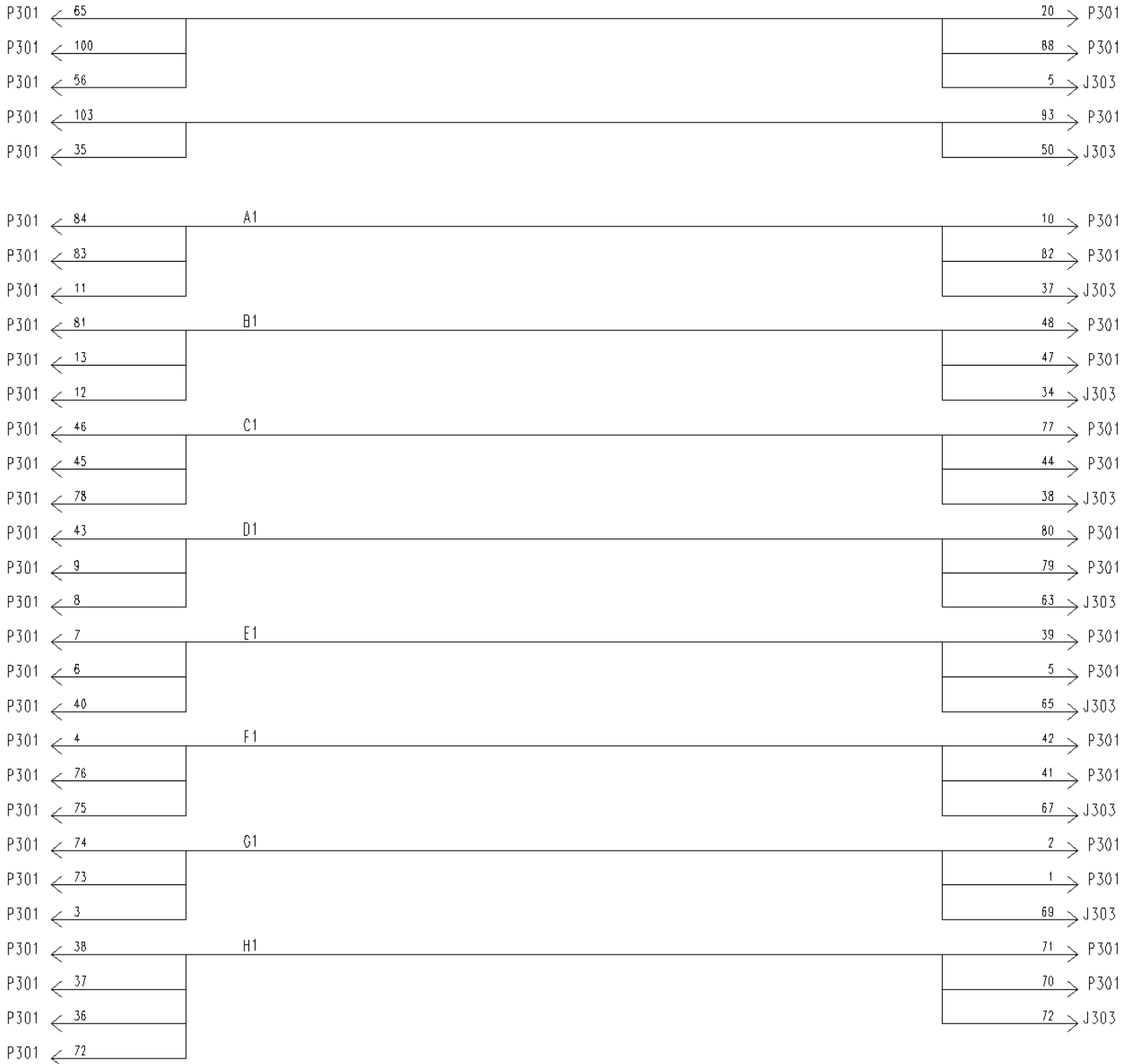
**Figure 114. Junction Box 5, DB3 Circuit Card Assembly Schematic (Sheet 1 of 3)  
 (Part Number 00514-0110-0002) 93 Pin Testpoint Connector**

**ROSEMOUNT AEROSPACE INC.  
COMPONENT MAINTENANCE MANUAL  
SERIES 0514K**



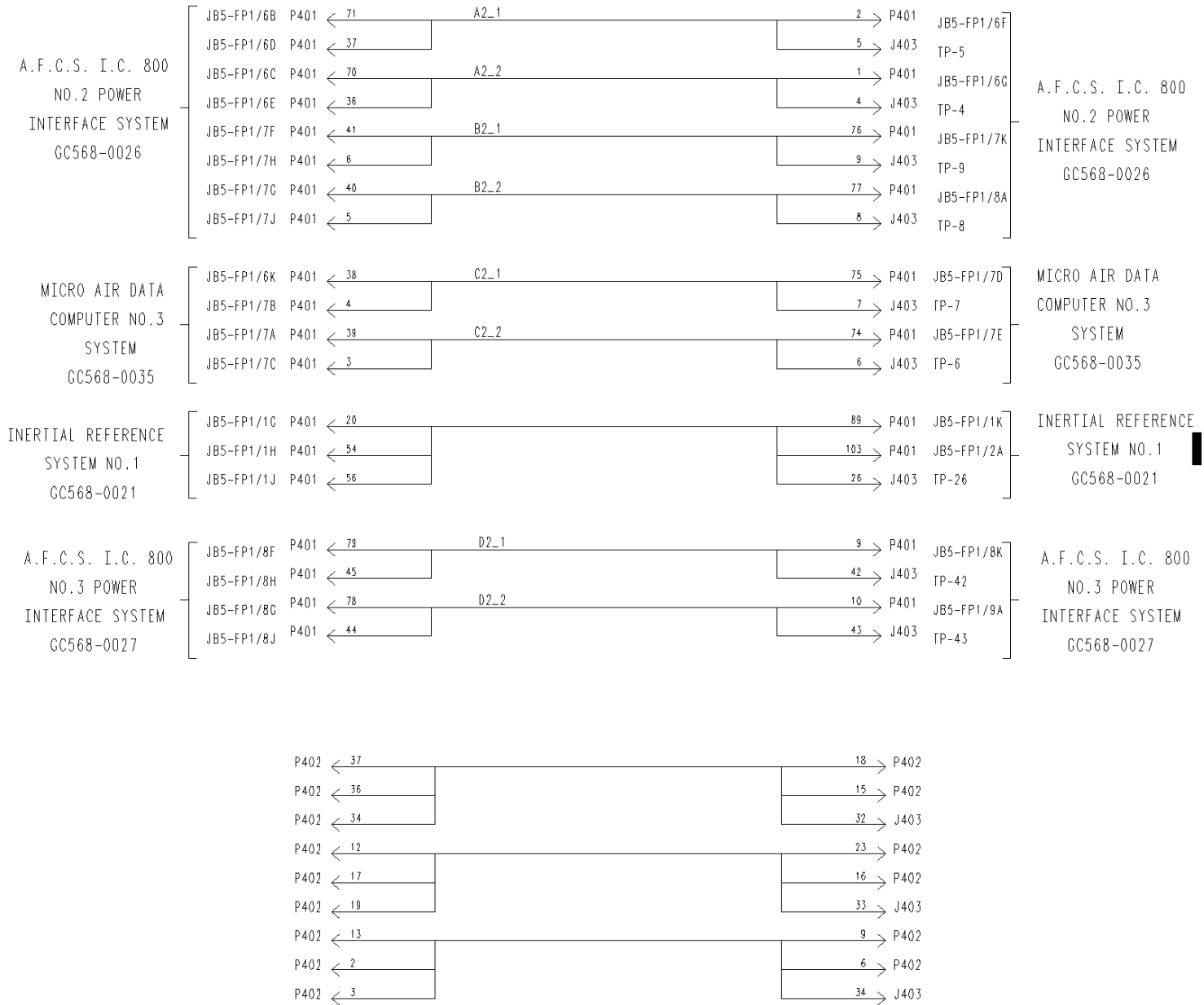
**Figure 114. Junction Box 5, DB3 Circuit Card Assembly Schematic (Sheet 2)  
(Part Number 00514-0110-0002) 93 Pin Testpoint Connector**

**ROSEMOUNT AEROSPACE INC.  
COMPONENT MAINTENANCE MANUAL  
SERIES 0514K**



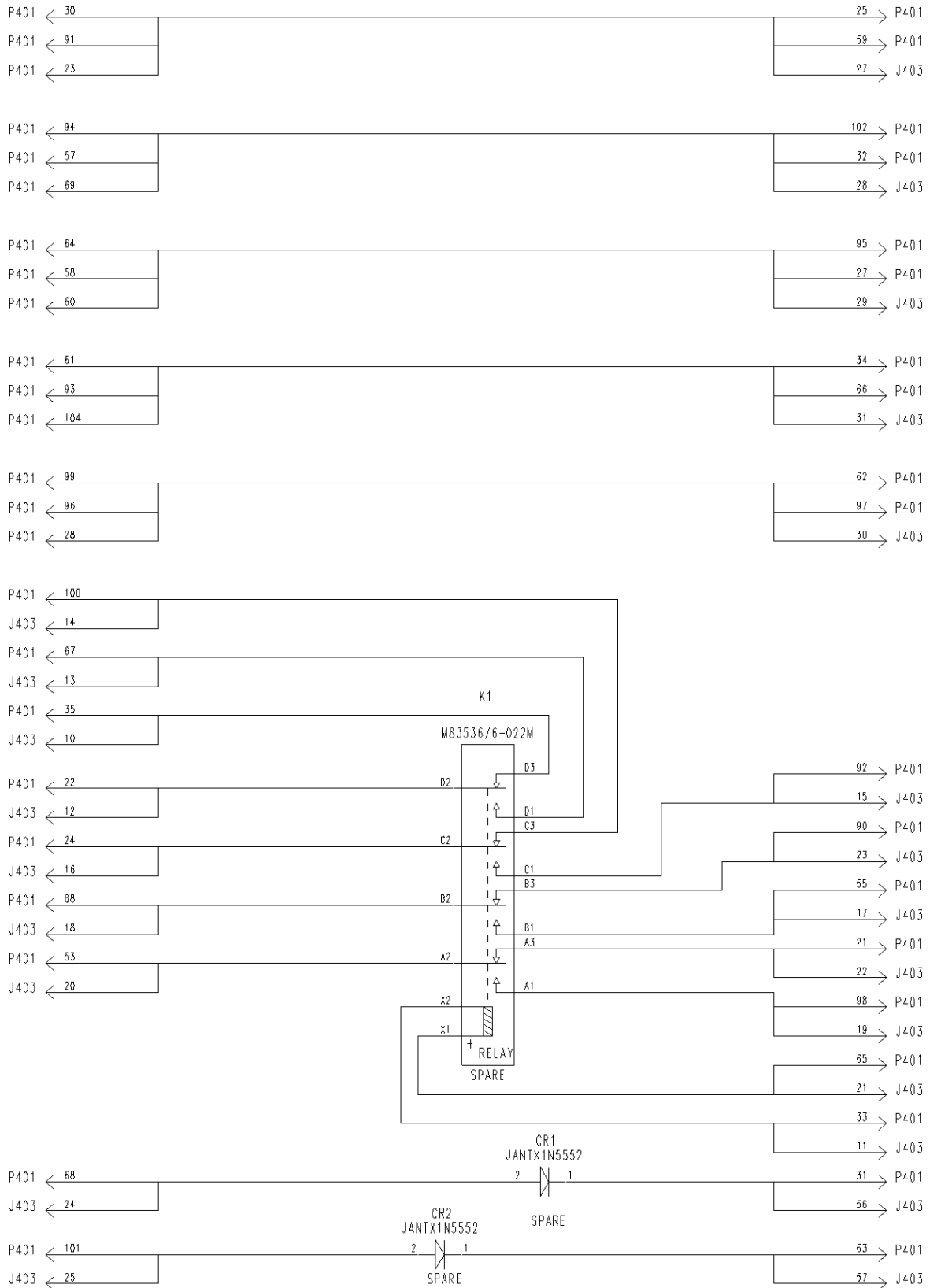
**Figure 114. Junction Box 5, DB3 Circuit Card Assembly Schematic (Sheet 3)  
(Part Number 00514-0110-0002) 93 Pin Testpoint Connector**

**ROSEMOUNT AEROSPACE INC.  
COMPONENT MAINTENANCE MANUAL  
SERIES 0514K**



**Figure 115. Junction Box 5, DB4 Circuit Card Assembly Schematic (Sheet 1 of 3)  
(Part Number 00514-0113-0002) 93 Pin Testpoint Connector**

**ROSEMOUNT AEROSPACE INC.  
COMPONENT MAINTENANCE MANUAL  
SERIES 0514K**



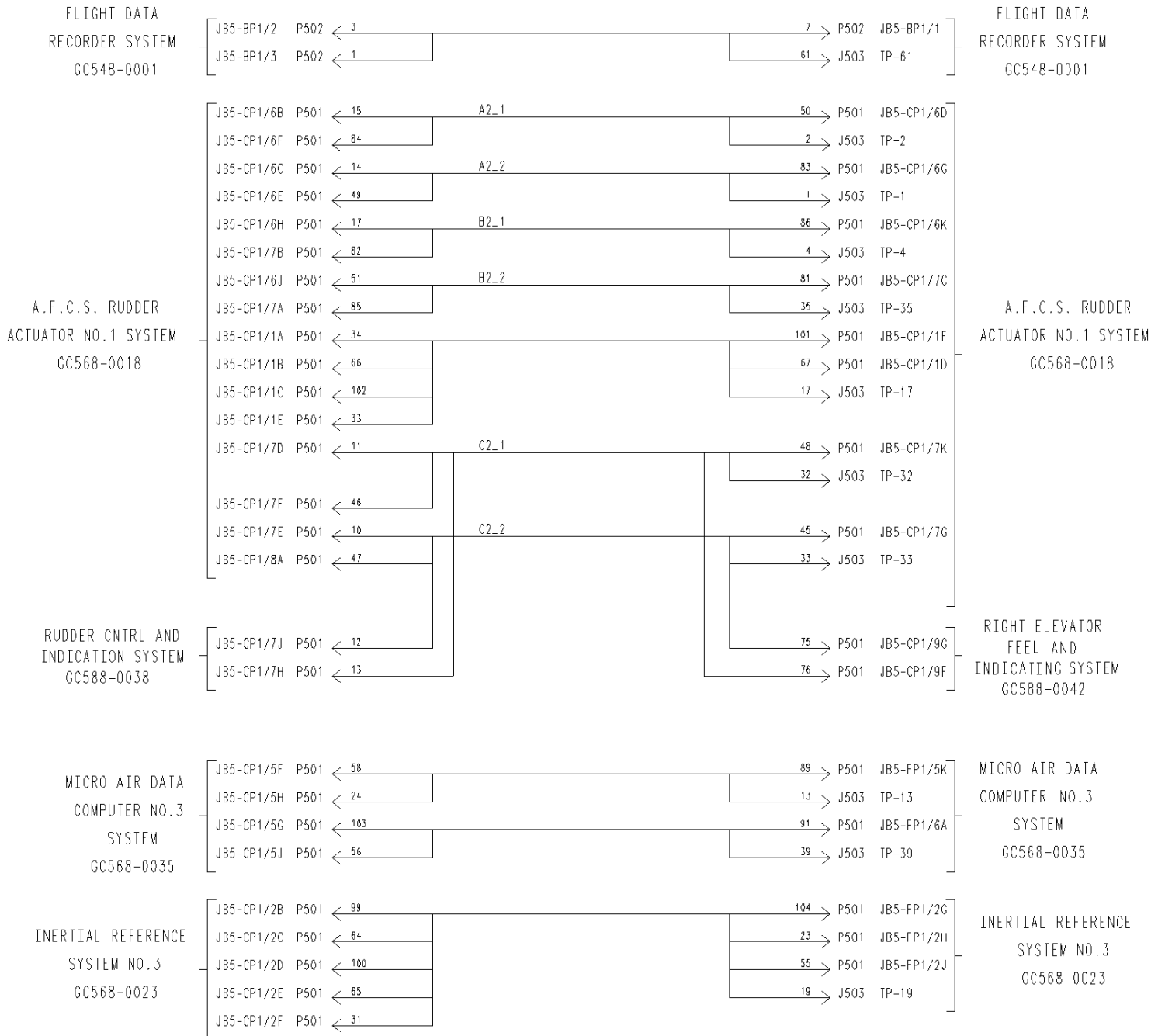
**Figure 115. Junction Box 5, DB4 Circuit Card Assembly Schematic (Sheet 2)  
(Part Number 00514-0113-0002) 93 Pin Testpoint Connector**

**ROSEMOUNT AEROSPACE INC.  
 COMPONENT MAINTENANCE MANUAL  
 SERIES 0514K**



**Figure 115. Junction Box 5, DB4 Circuit Card Assembly Schematic (Sheet 3)  
 (Part Number 00514-0113-0002) 93 Pin Testpoint Connector**

**ROSEMOUNT AEROSPACE INC.  
COMPONENT MAINTENANCE MANUAL  
SERIES 0514K**

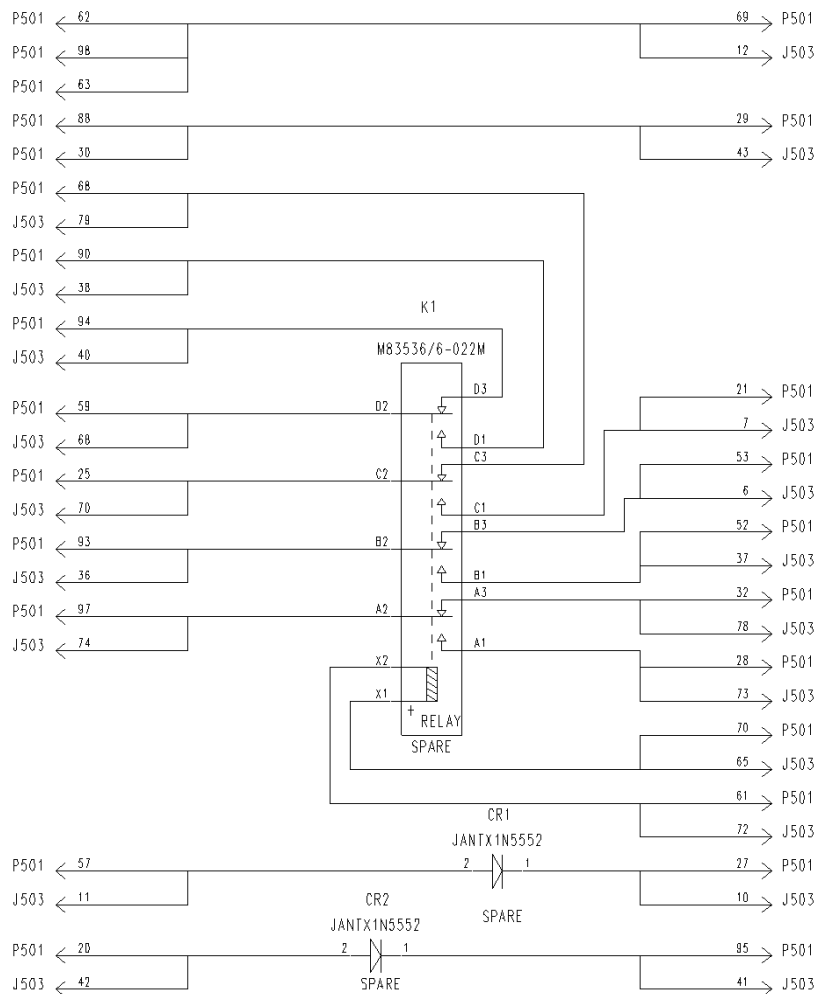
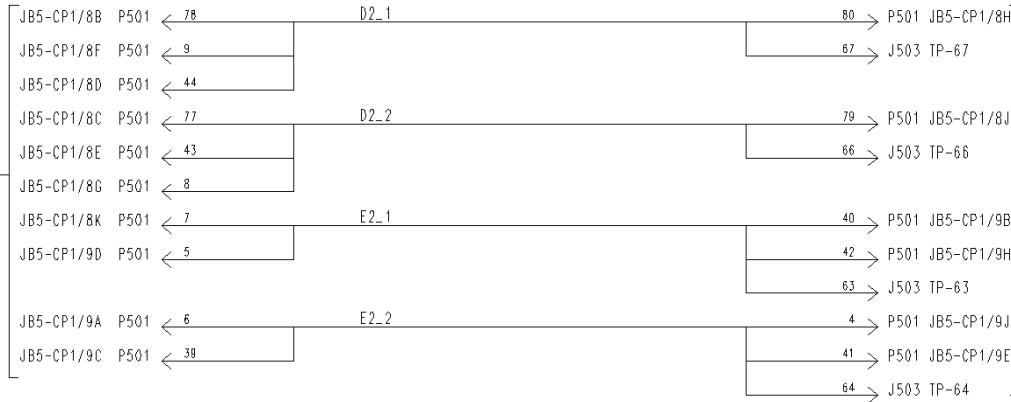


**Figure 116. Junction Box 5, DB5 Circuit Card Assembly Schematic (Sheet 1 of 3)  
(Part Number 00514-0116-0002) 93 Pin Testpoint Connector**

**ROSEMOUNT AEROSPACE INC.  
COMPONENT MAINTENANCE MANUAL  
SERIES 0514K**

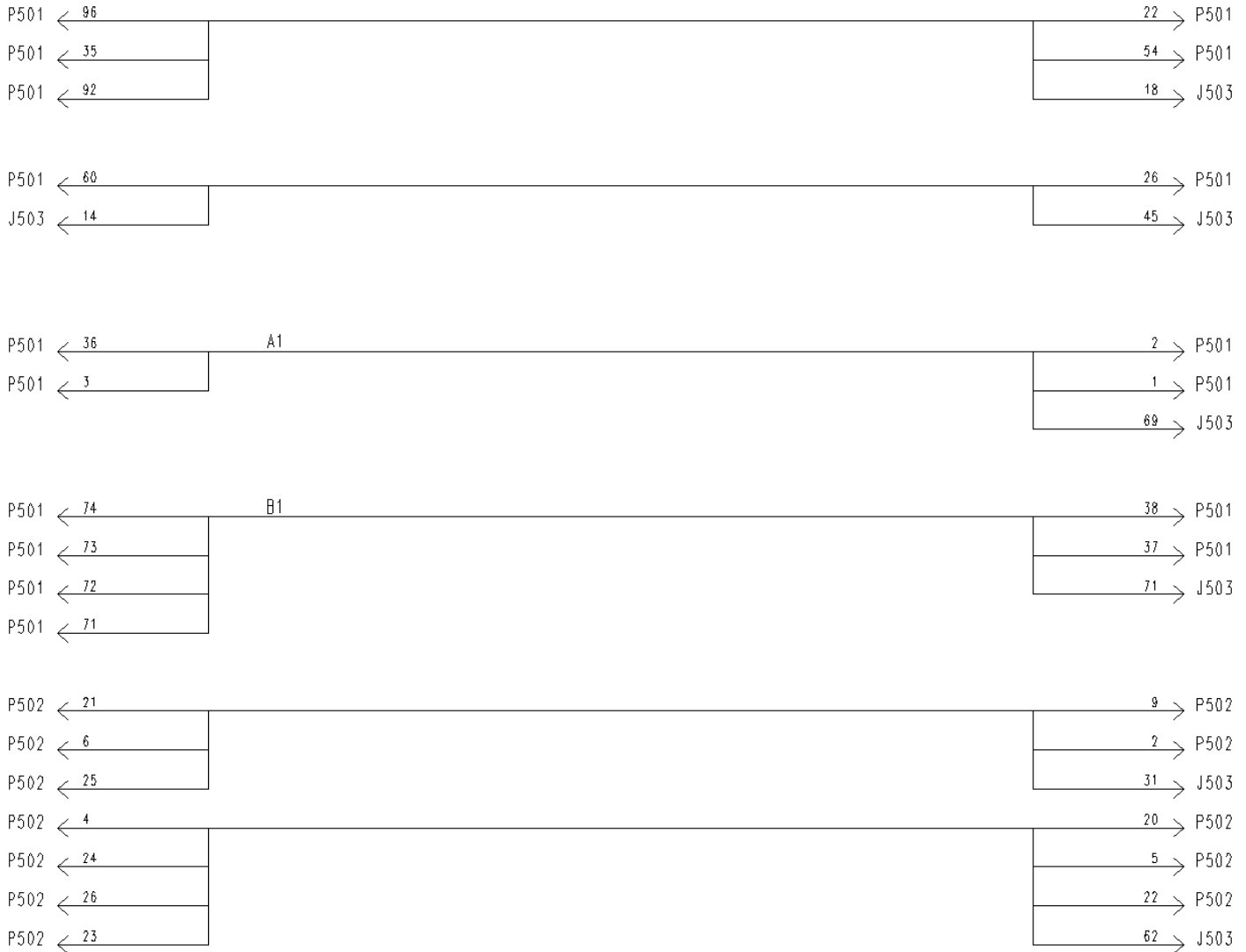
A.F.C.S. I.C.800  
NO.1 POWER INTERFACE  
SYSTEM  
GC568-0024

A.F.C.S. I.C.800  
NO.1 POWER INTERFACE  
SYSTEM  
GC568-0024



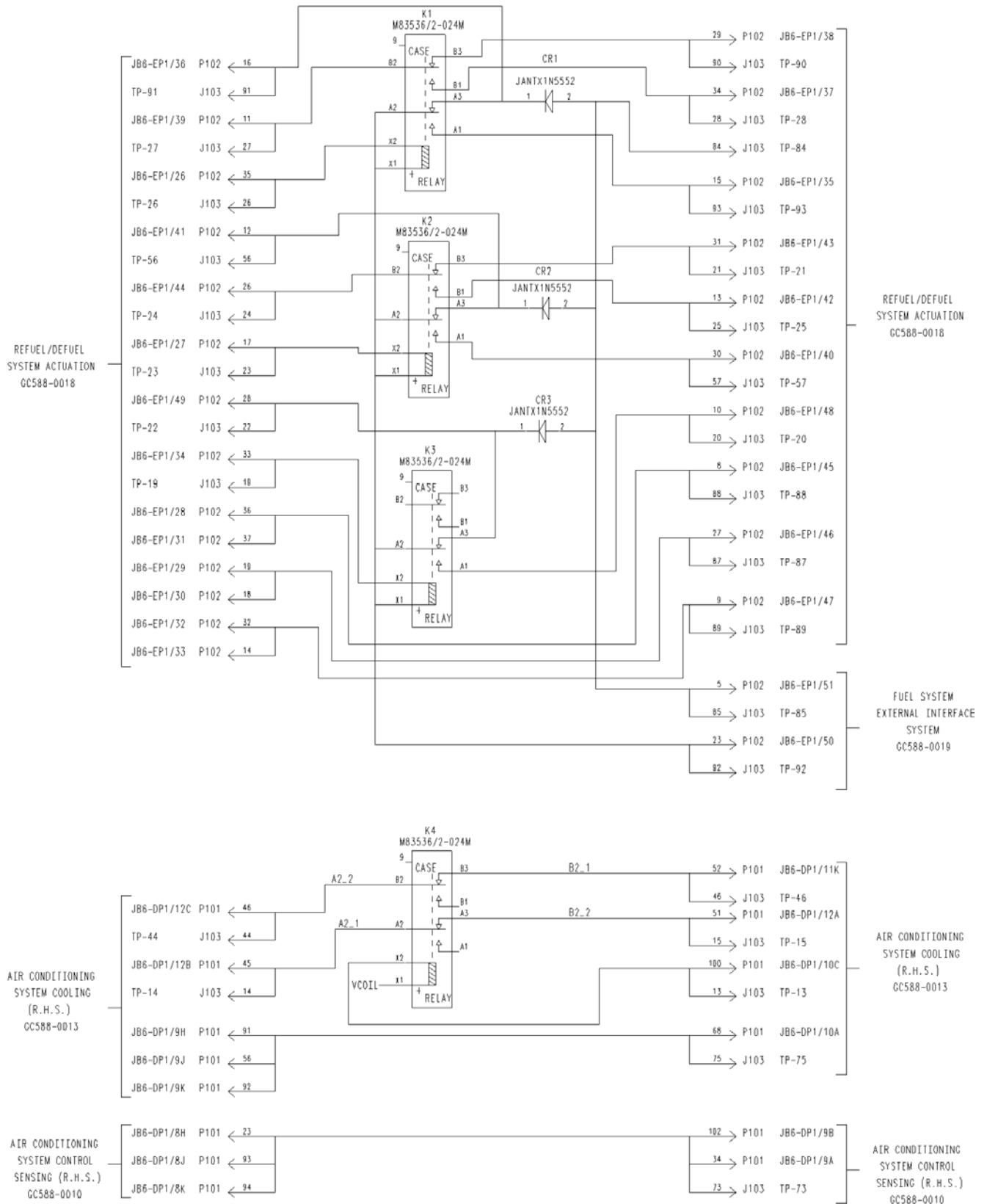
**Figure 116. Junction Box 5, DB5 Circuit Card Assembly Schematic (Sheet 2)  
(Part Number 00514-0116-0002) 93 Pin Testpoint Connector**

**ROSEMOUNT AEROSPACE INC.  
 COMPONENT MAINTENANCE MANUAL  
 SERIES 0514K**



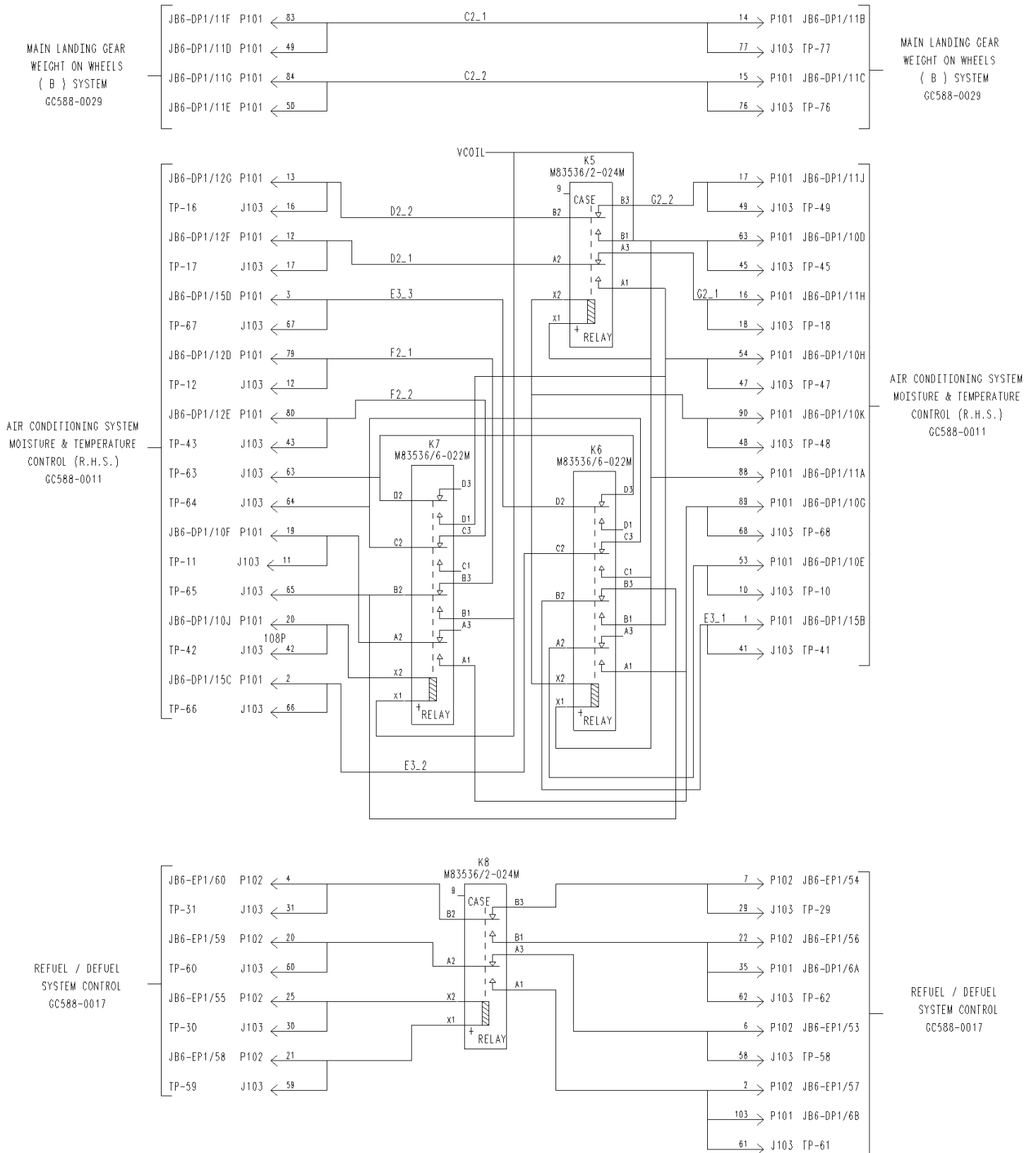
**Figure 116. Junction Box 5, DB5 Circuit Card Assembly Schematic (Sheet 3)  
 (Part Number 00514-0116-0002) 93 Pin Testpoint Connector**

**ROSEMOUNT AEROSPACE INC.  
COMPONENT MAINTENANCE MANUAL  
SERIES 0514K**



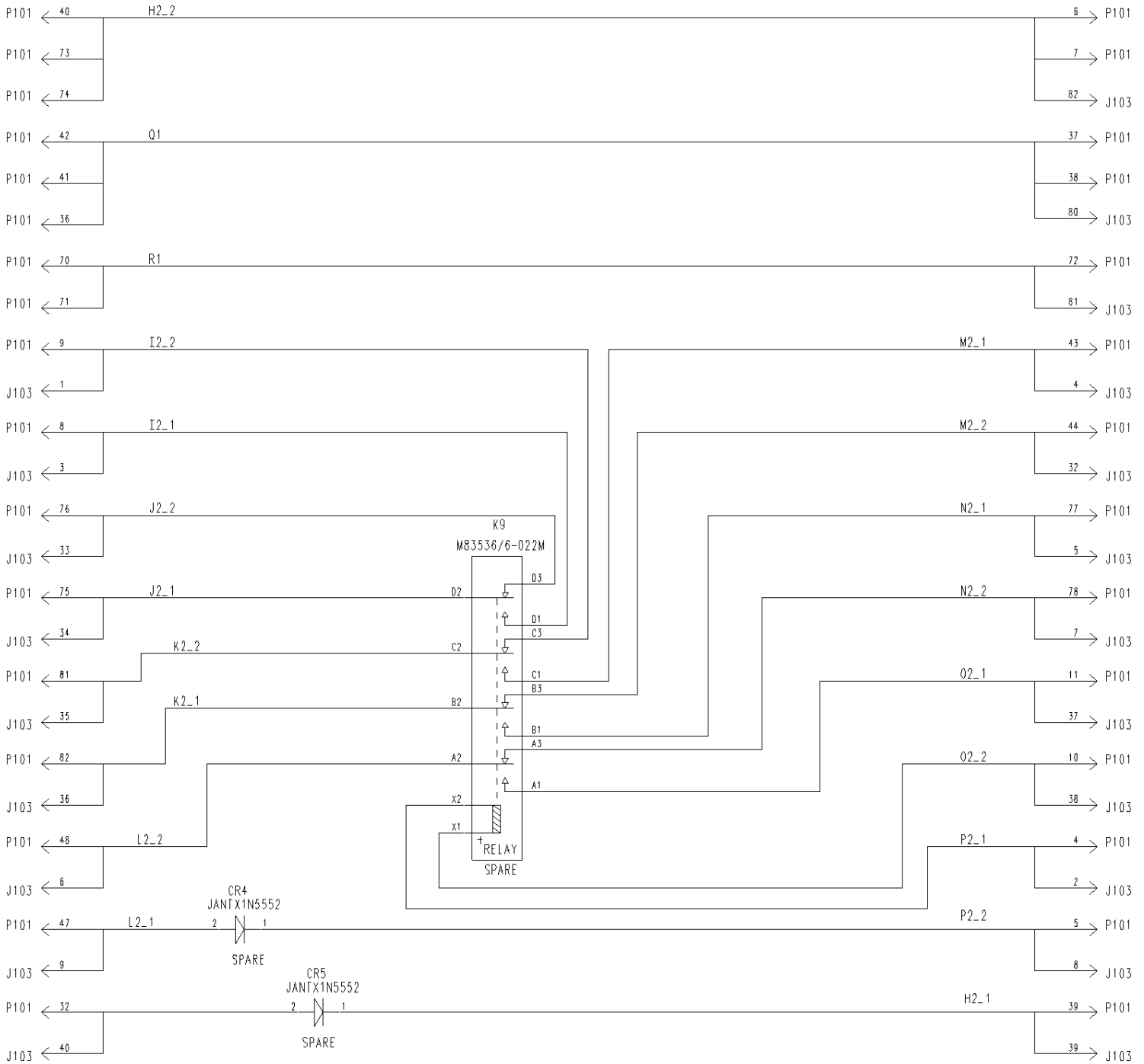
**Figure 117. Junction Box 6, DB1 Circuit Card Assembly Schematic (Sheet 1 of 4)  
(Part Number 00514-0120-0003) 93 Pin Testpoint Connector**

**ROSEMOUNT AEROSPACE INC.  
COMPONENT MAINTENANCE MANUAL  
SERIES 0514K**



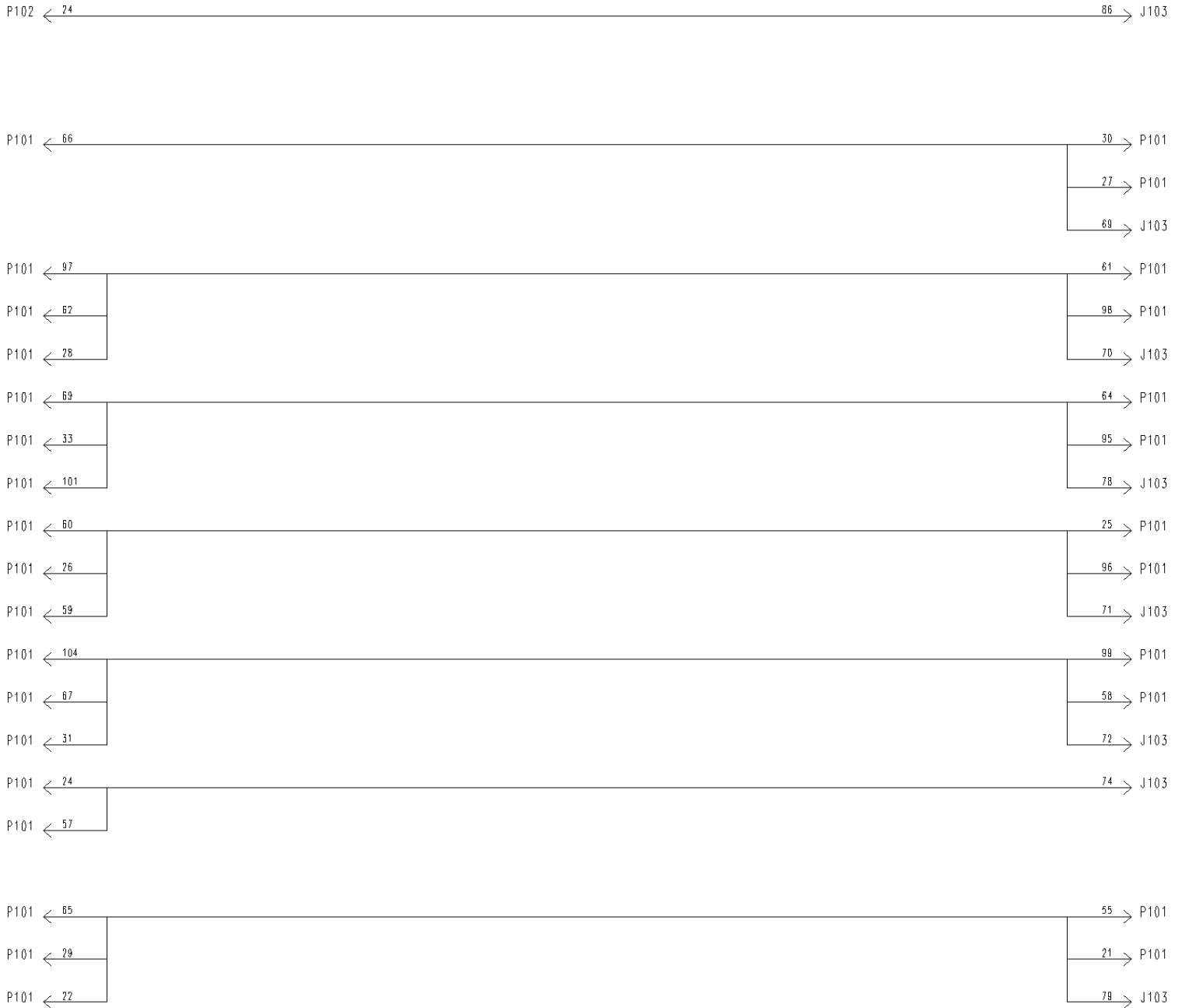
**Figure 117. Junction Box 6, DB1 Circuit Card Assembly Schematic (Sheet 2)  
(Part Number 00514-0120-0003) 93 Pin Testpoint Connector**

**ROSEMOUNT AEROSPACE INC.  
COMPONENT MAINTENANCE MANUAL  
SERIES 0514K**



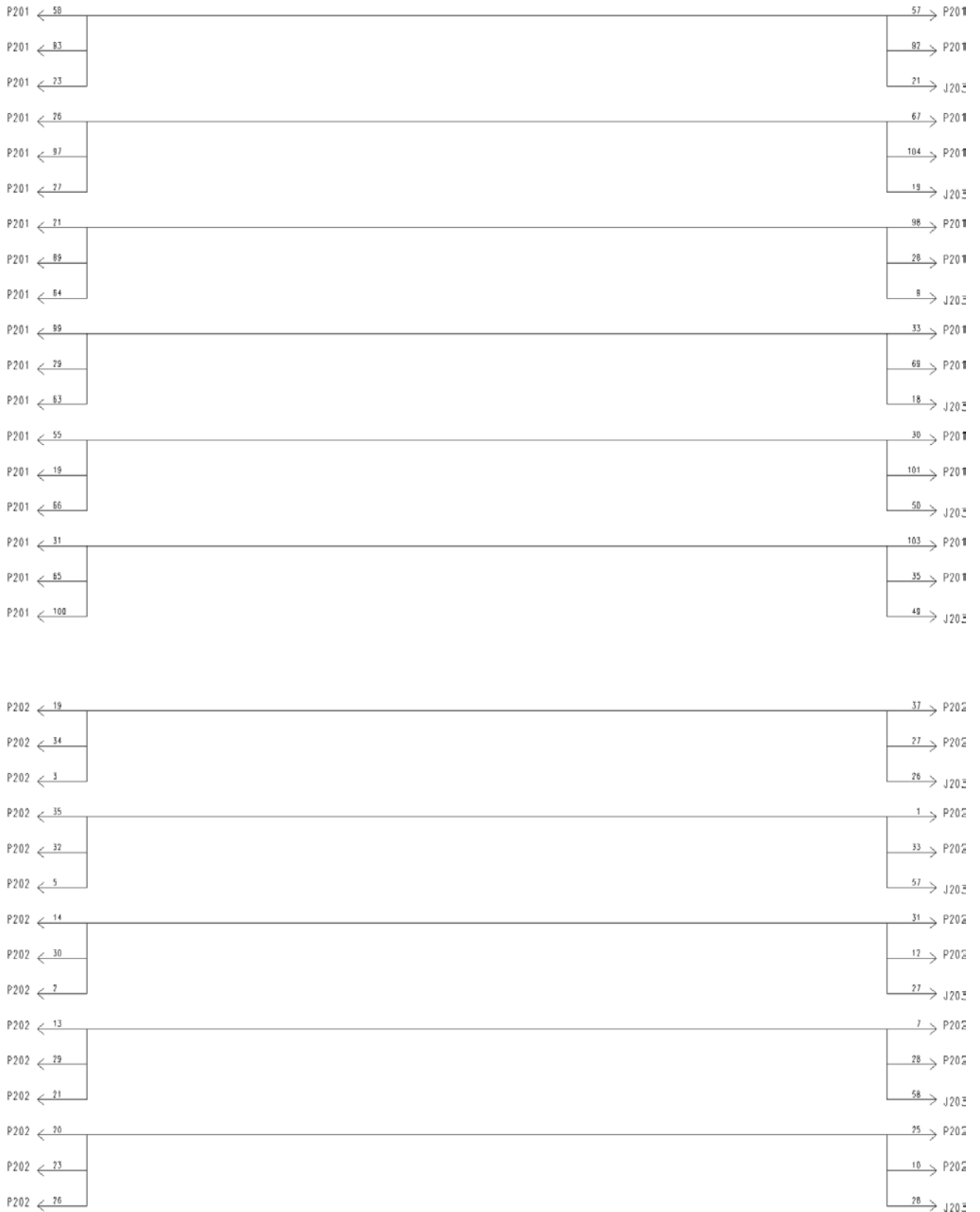
**Figure 117. Junction Box 6, DB1 Circuit Card Assembly Schematic (Sheet 3)  
(Part Number 00514-0120-0003) 93 Pin Testpoint Connector**

**ROSEMOUNT AEROSPACE INC.  
 COMPONENT MAINTENANCE MANUAL  
 SERIES 0514K**



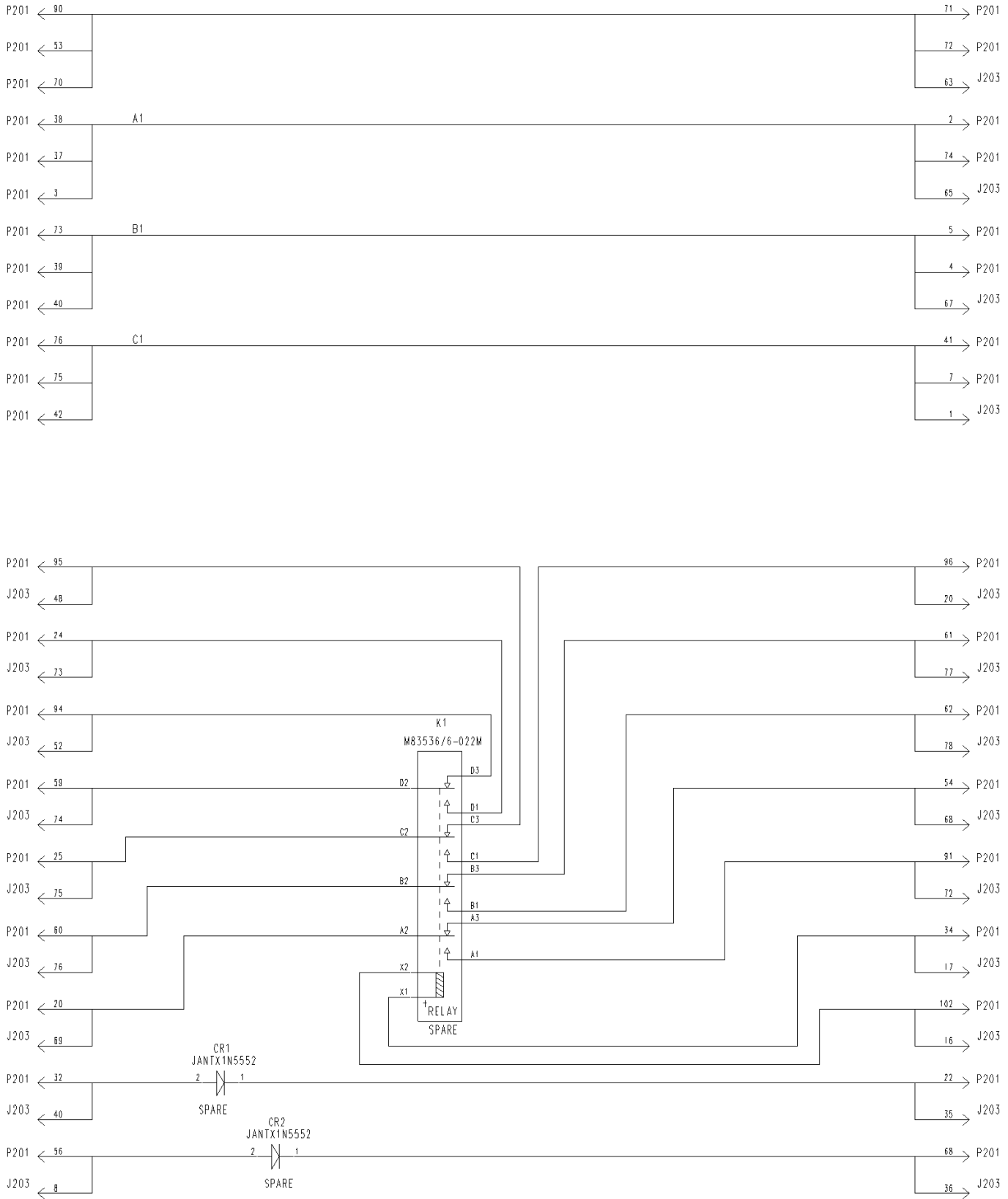
**Figure 117. Junction Box 6, DB1 Circuit Card Assembly Schematic (Sheet 4)  
 (Part Number 00514-0120-0003) 93 Pin Testpoint Connector**

**ROSEMOUNT AEROSPACE INC.  
 COMPONENT MAINTENANCE MANUAL  
 SERIES 0514K**



**Figure 118. Junction Box 6, DB2 Circuit Card Assembly Schematic (Sheet 1 of 3)  
 (Part Number 00514-0123-0002) 93 Pin Testpoint Connector**

**ROSEMOUNT AEROSPACE INC.  
COMPONENT MAINTENANCE MANUAL  
SERIES 0514K**



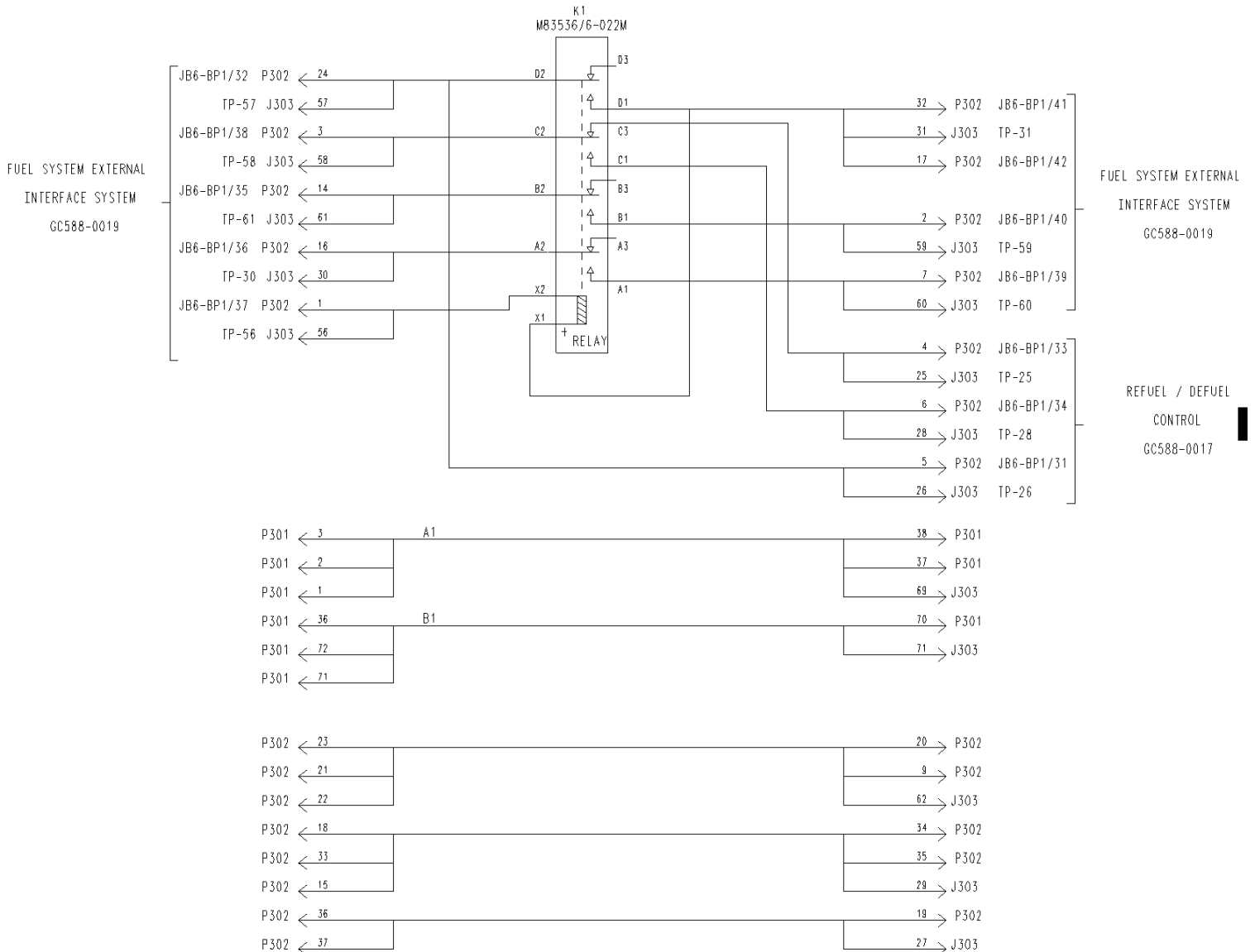
**Figure 118. Junction Box 6, DB2 Circuit Card Assembly Schematic (Sheet 2)  
(Part Number 00514-0123-0002) 93 Pin Testpoint Connector**

**ROSEMOUNT AEROSPACE INC.  
 COMPONENT MAINTENANCE MANUAL  
 SERIES 0514K**



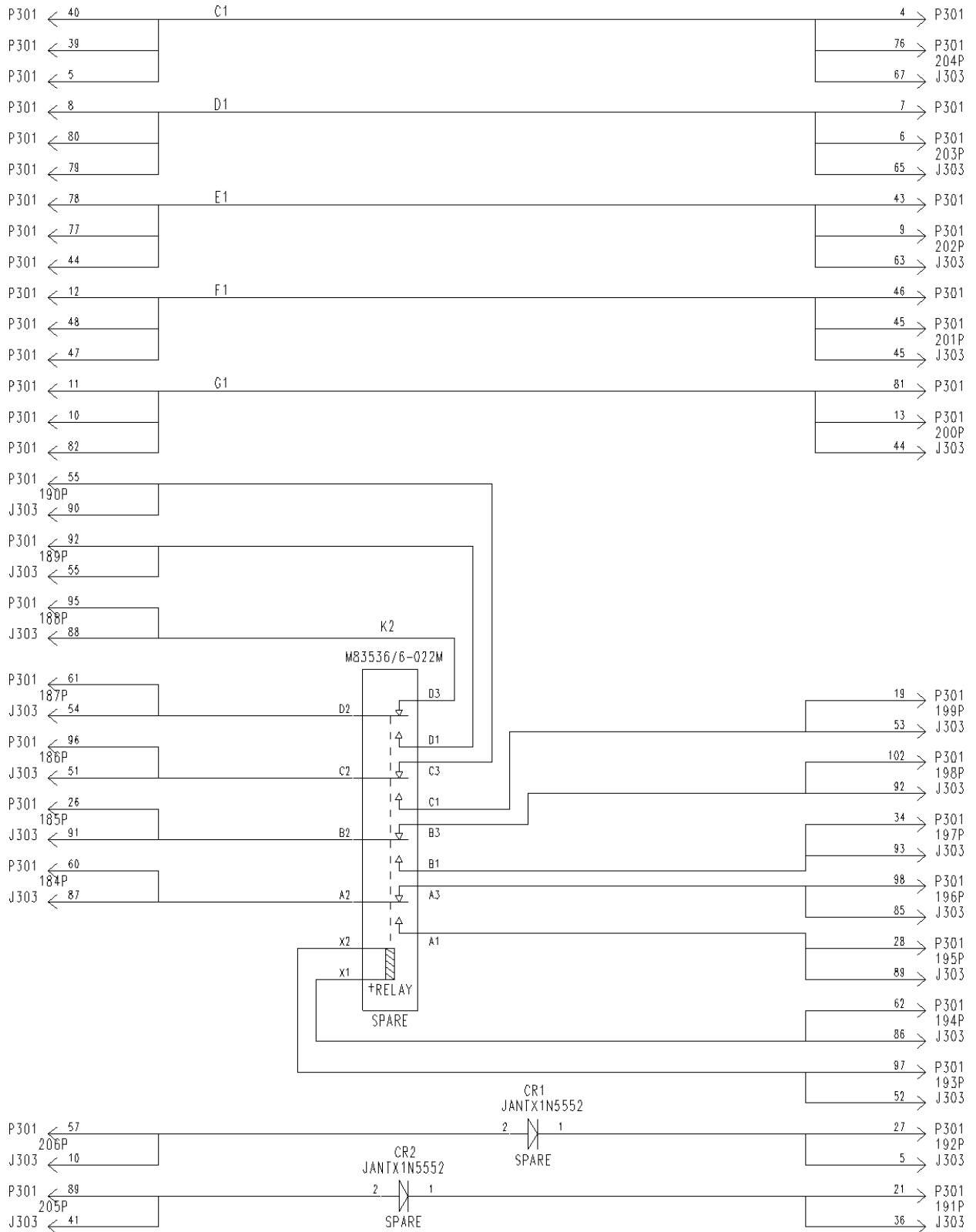
**Figure 118. Junction Box 6, DB2 Circuit Card Assembly Schematic (Sheet 3)  
 (Part Number 00514-0123-0002) 93 Pin Testpoint Connector**

**ROSEMOUNT AEROSPACE INC.  
 COMPONENT MAINTENANCE MANUAL  
 SERIES 0514K**



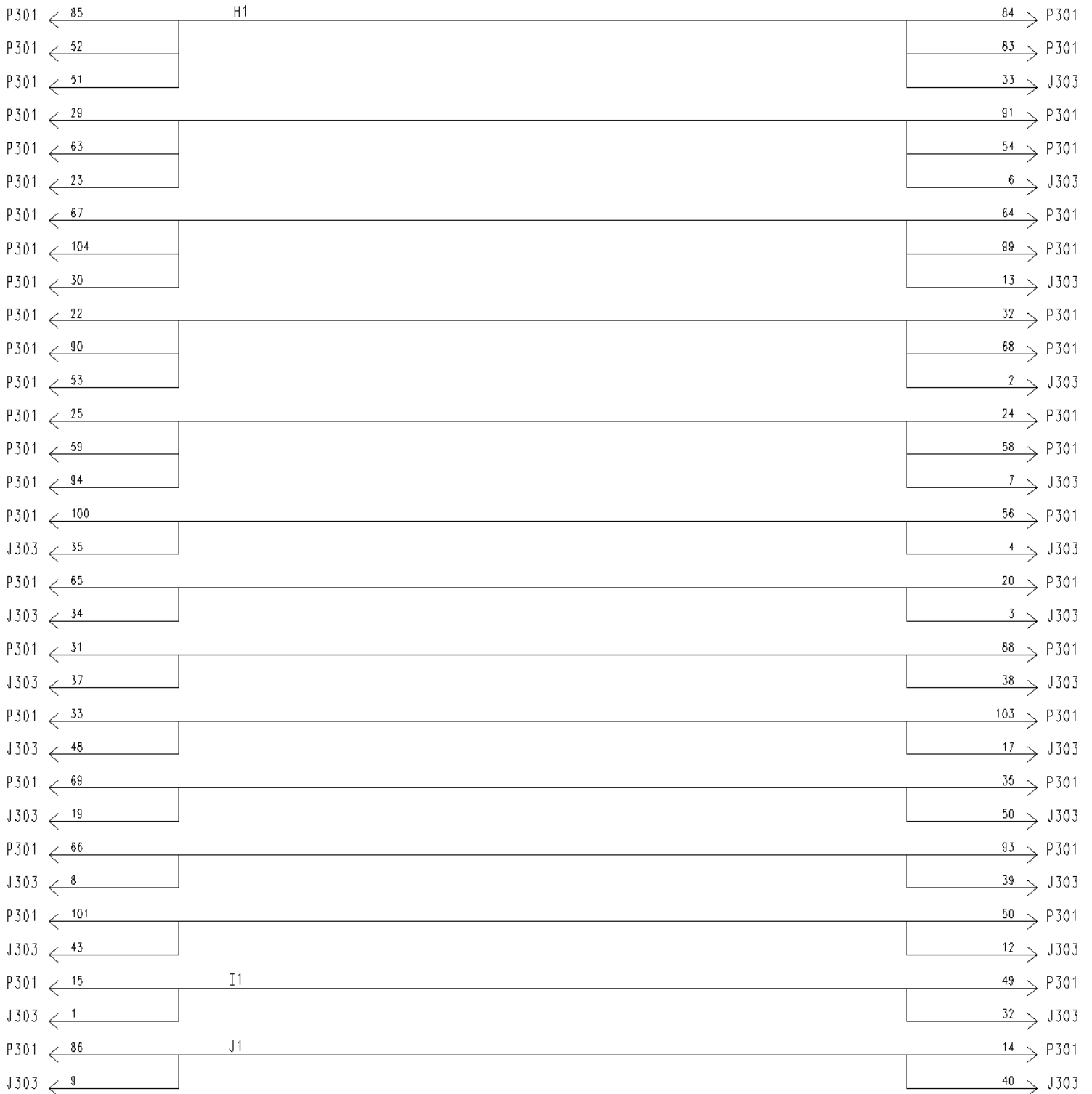
**Figure 119. Junction Box 6, DB3 Circuit Card Assembly Schematic (Sheet 1 of 3)  
 (Part Number 00514-0126-0002) 93 Pin Testpoint Connector**

**ROSEMOUNT AEROSPACE INC.  
COMPONENT MAINTENANCE MANUAL  
SERIES 0514K**



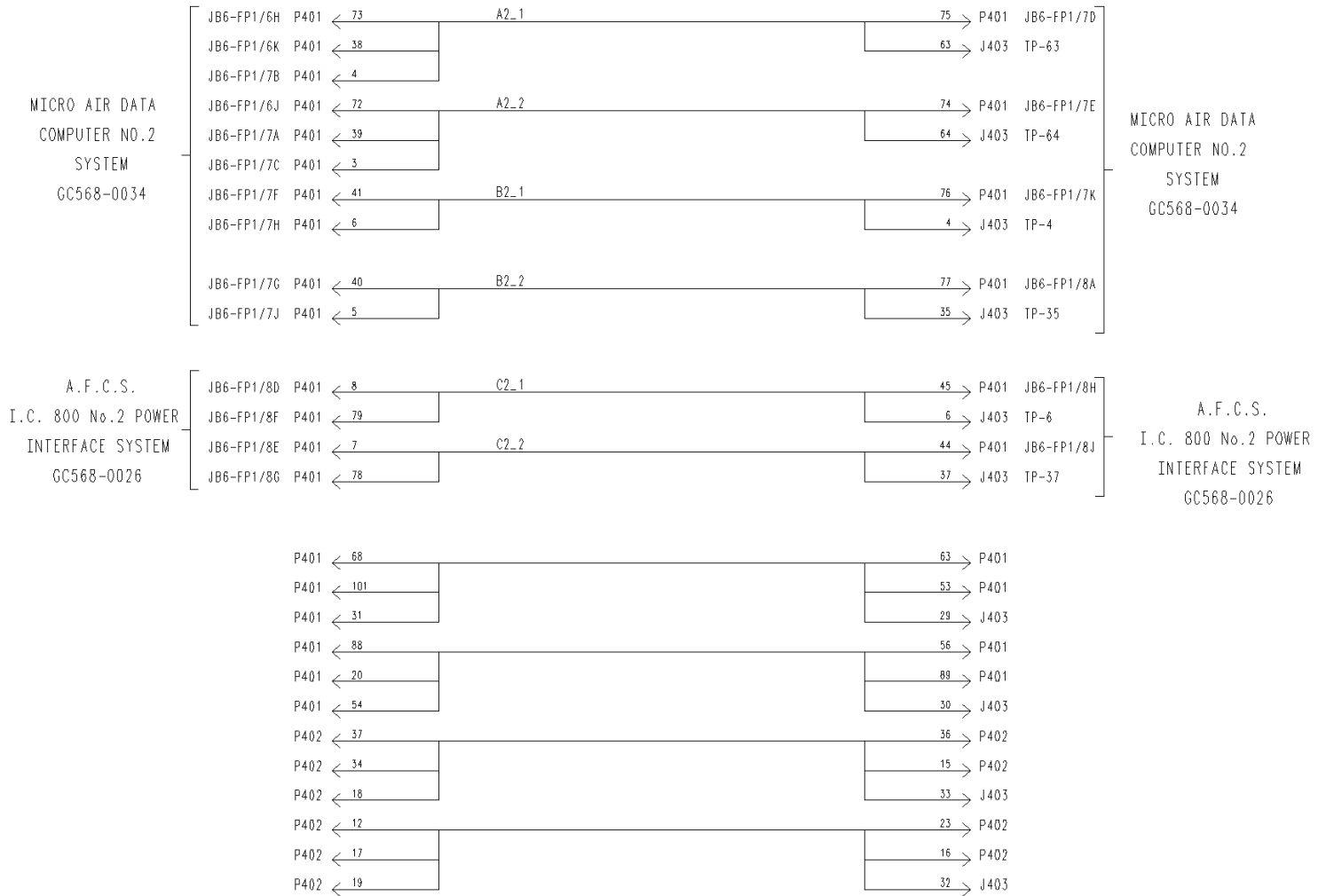
**Figure 119. Junction Box 6, DB3 Circuit Card Assembly Schematic (Sheet 2)  
(Part Number 00514-0126-0002) 93 Pin Testpoint Connector**

**ROSEMOUNT AEROSPACE INC.  
 COMPONENT MAINTENANCE MANUAL  
 SERIES 0514K**



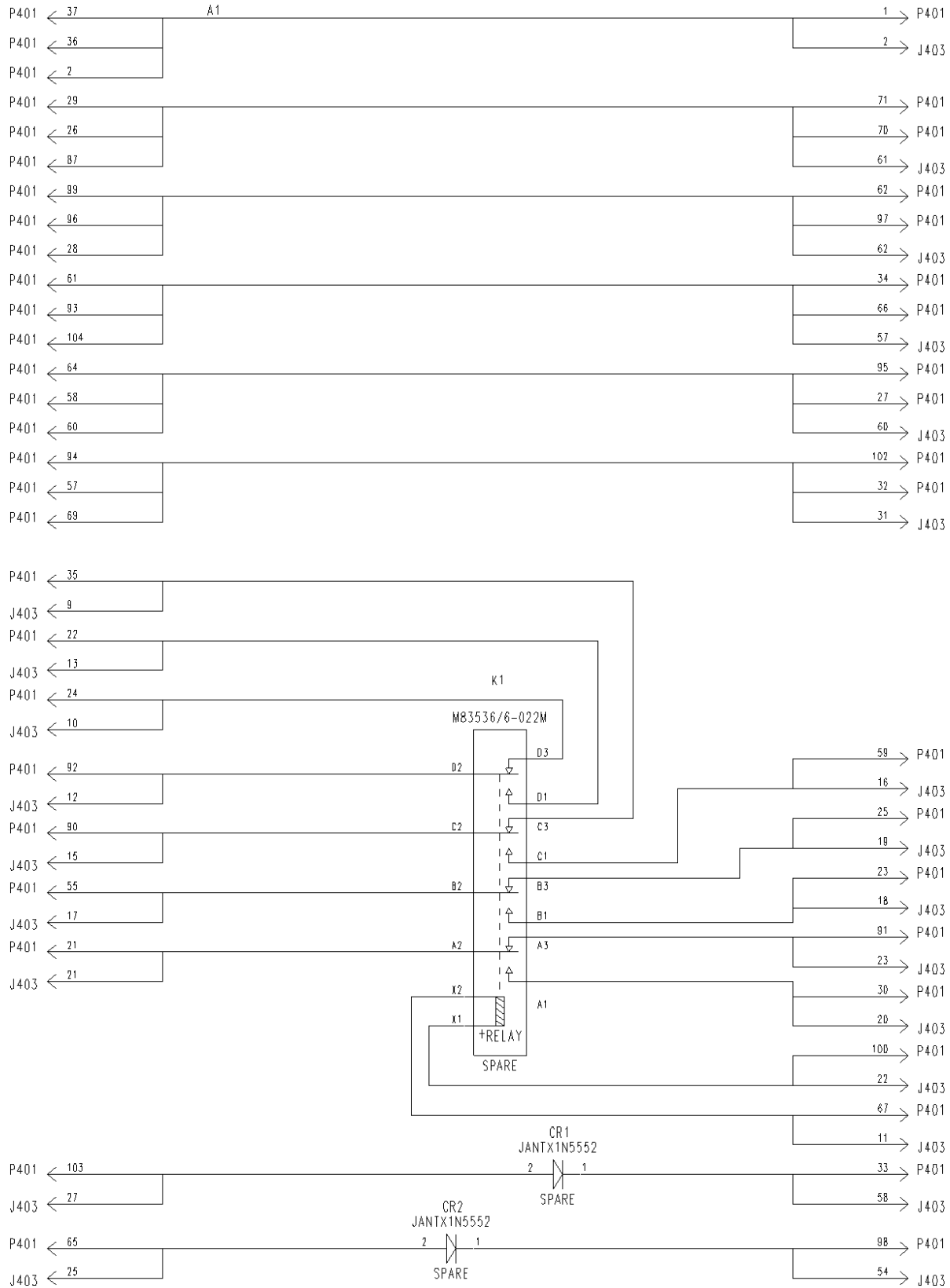
**Figure 119. Junction Box 6, DB3 Circuit Card Assembly Schematic (Sheet 3)  
 (Part Number 00514-0126-0002) 93 Pin Testpoint Connector**

**ROSEMOUNT AEROSPACE INC.  
COMPONENT MAINTENANCE MANUAL  
SERIES 0514K**



**Figure 120. Junction Box 6, DB4 Circuit Card Assembly Schematic (Sheet 1 of 3)  
(Part Number 00514-0129-0002) 93 Pin Testpoint Connector**

**ROSEMOUNT AEROSPACE INC.  
 COMPONENT MAINTENANCE MANUAL  
 SERIES 0514K**



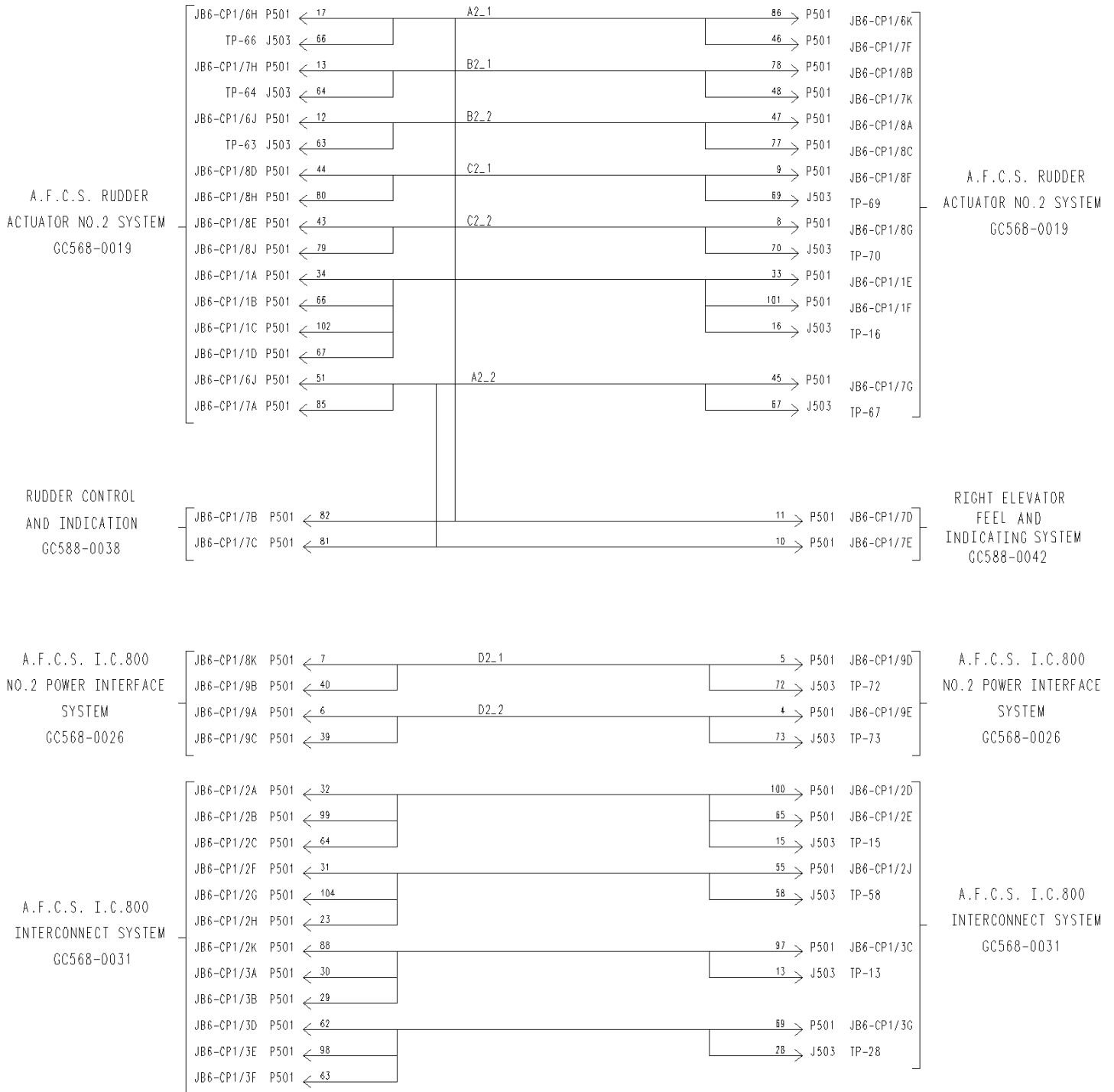
**Figure 120. Junction Box 6, DB4 Circuit Card Assembly Schematic (Sheet 2)  
 (Part Number 00514-0129-0002) 93 Pin Testpoint Connector**

**ROSEMOUNT AEROSPACE INC.  
 COMPONENT MAINTENANCE MANUAL  
 SERIES 0514K**



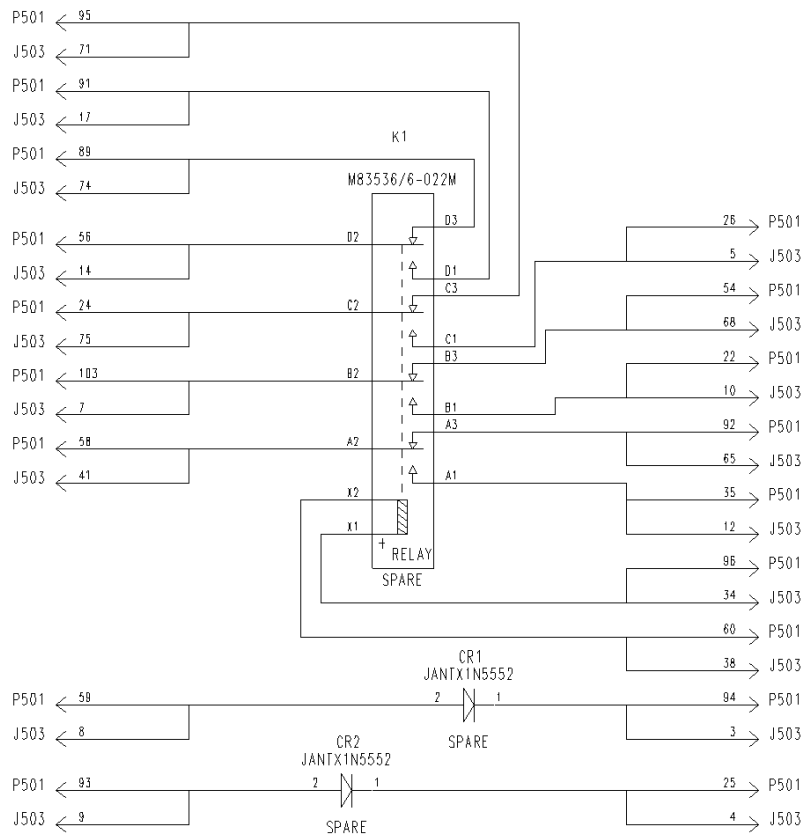
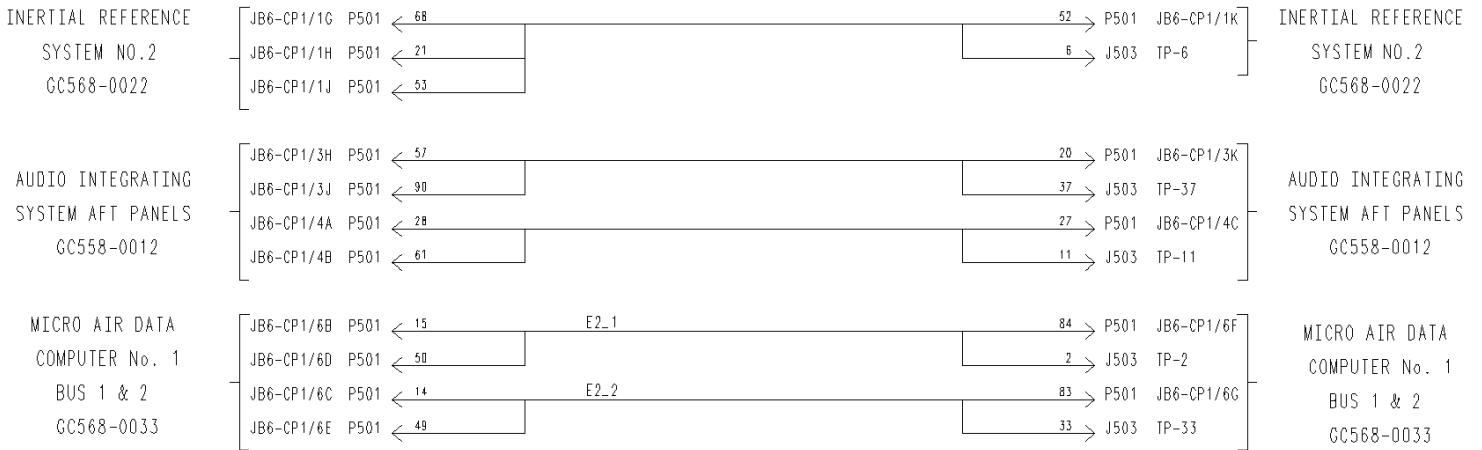
**Figure 120. Junction Box 6, DB4 Circuit Card Assembly Schematic (Sheet 3)  
 (Part Number 00514-0129-0002) 93 Pin Testpoint Connector**

**ROSEMOUNT AEROSPACE INC.  
COMPONENT MAINTENANCE MANUAL  
SERIES 0514K**



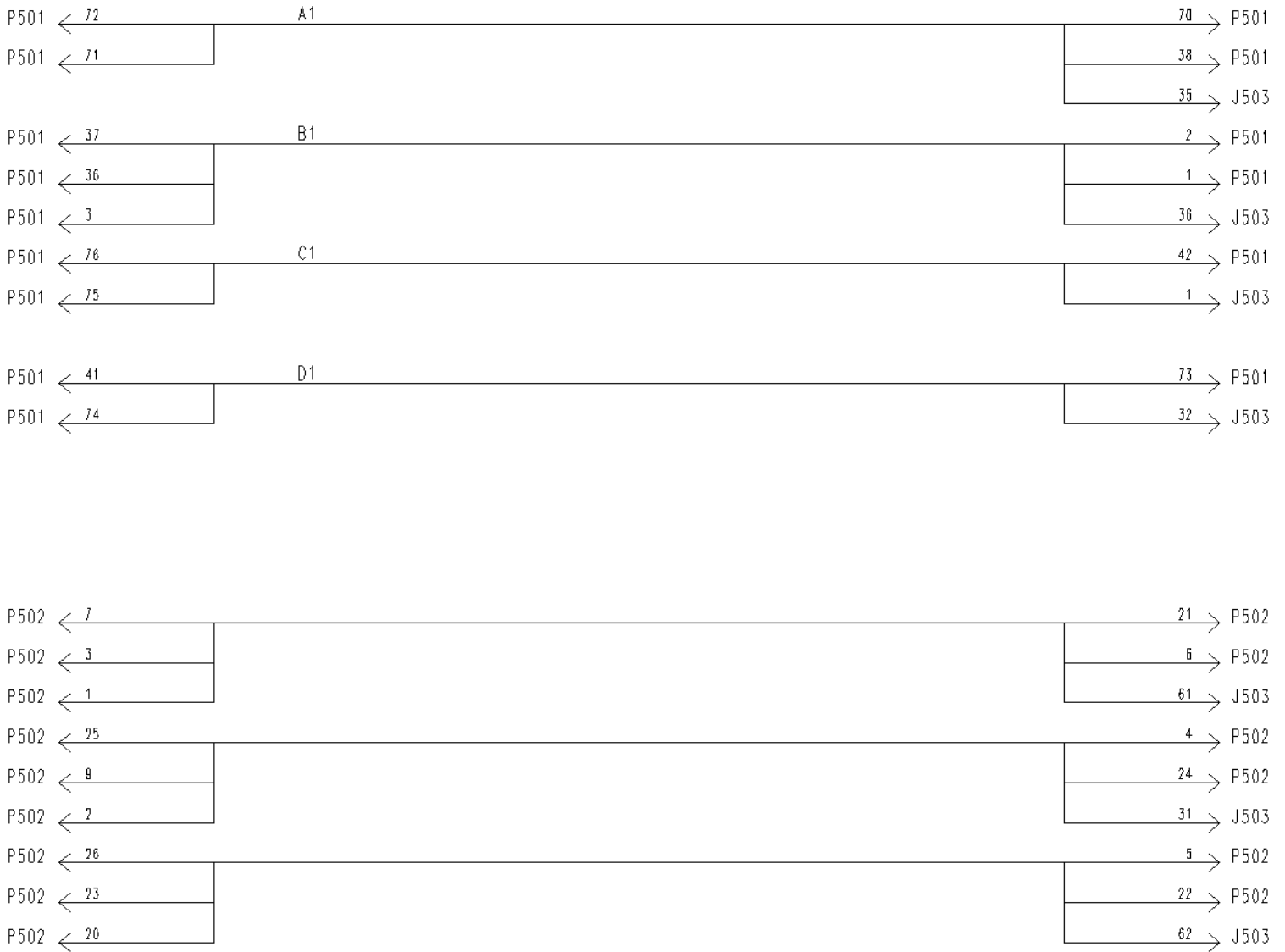
**Figure 121. Junction Box 6, DB5 Circuit Card Assembly Schematic (Sheet 1 of 3)  
(Part Number 00514-0132-0002) 93 Pin Testpoint Connector**

**ROSEMOUNT AEROSPACE INC.  
COMPONENT MAINTENANCE MANUAL  
SERIES 0514K**



**Figure 121. Junction Box 6, DB5 Circuit Card Assembly Schematic (Sheet 2)  
(Part Number 00514-0132-0002) 93 Pin Testpoint Connector**

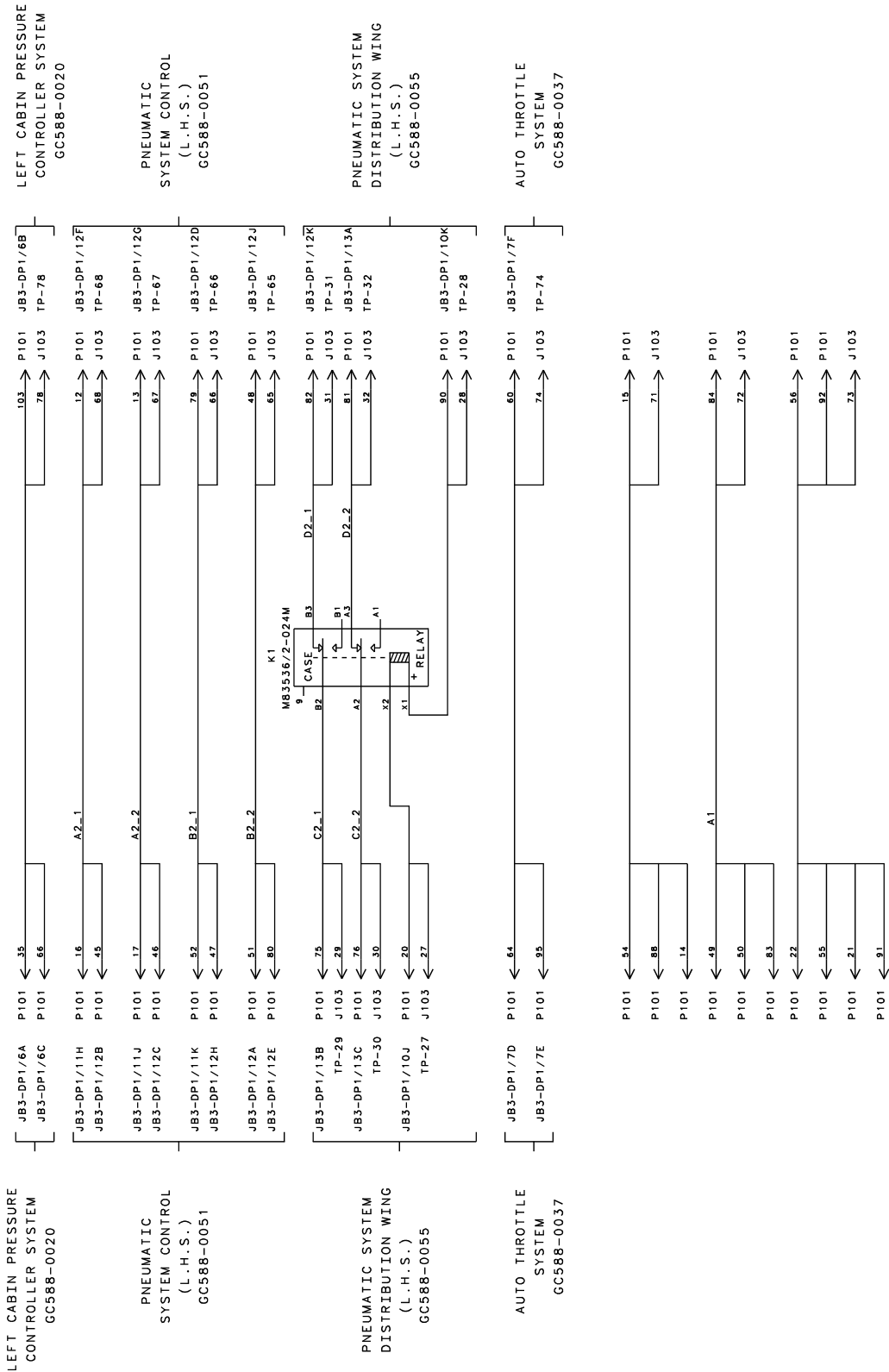
**ROSEMOUNT AEROSPACE INC.  
 COMPONENT MAINTENANCE MANUAL  
 SERIES 0514K**



**Figure 121. Junction Box 6, DB5 Circuit Card Assembly Schematic (Sheet 3)  
 (Part Number 00514-0132-0002) 93 Pin Testpoint Connector**

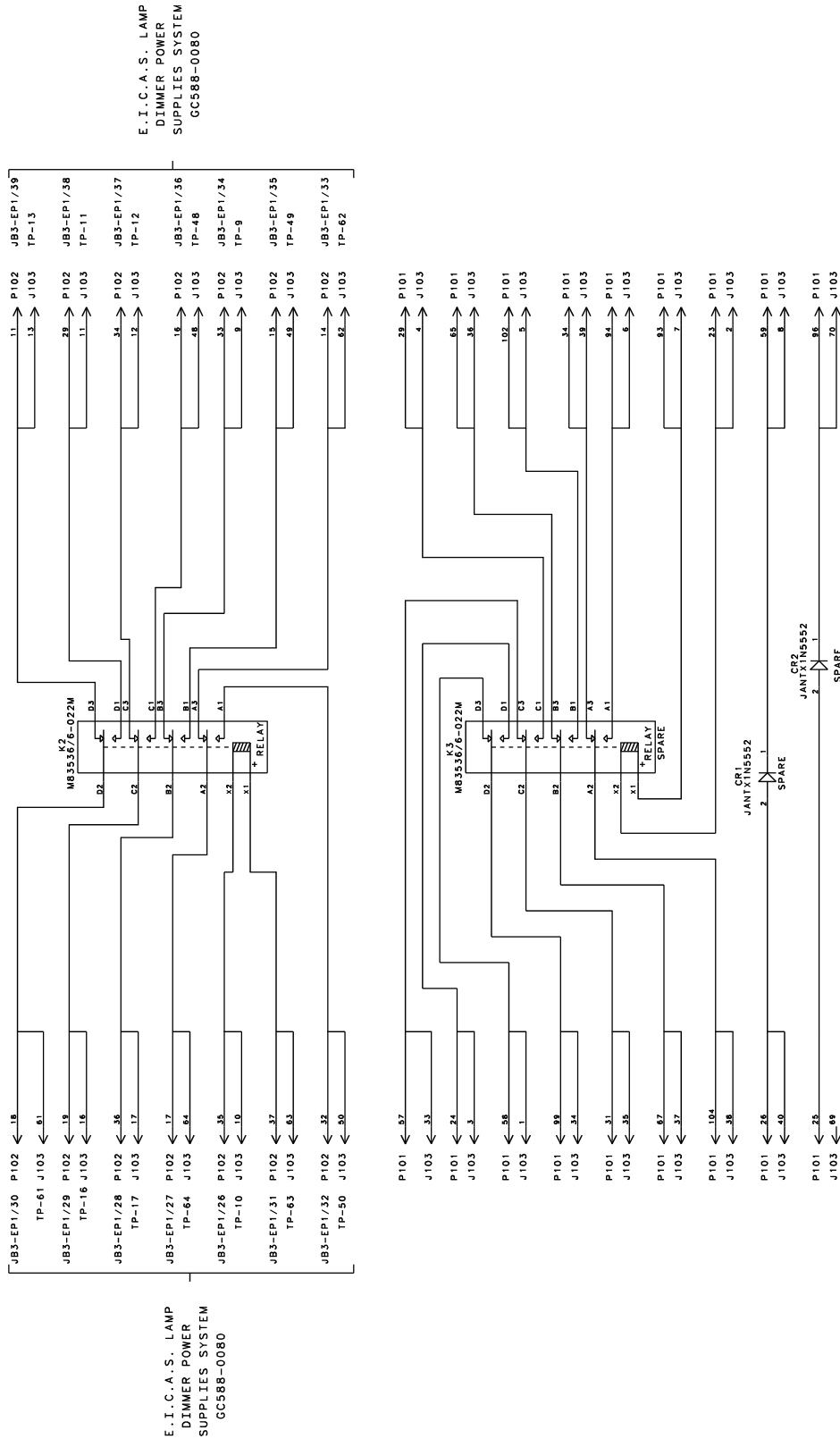
## **CCA Schematics for the 96 Pin Testpoint Connector Configuration**

**ROSEMOUNT AEROSPACE INC.  
 COMPONENT MAINTENANCE MANUAL  
 SERIES 0514K**



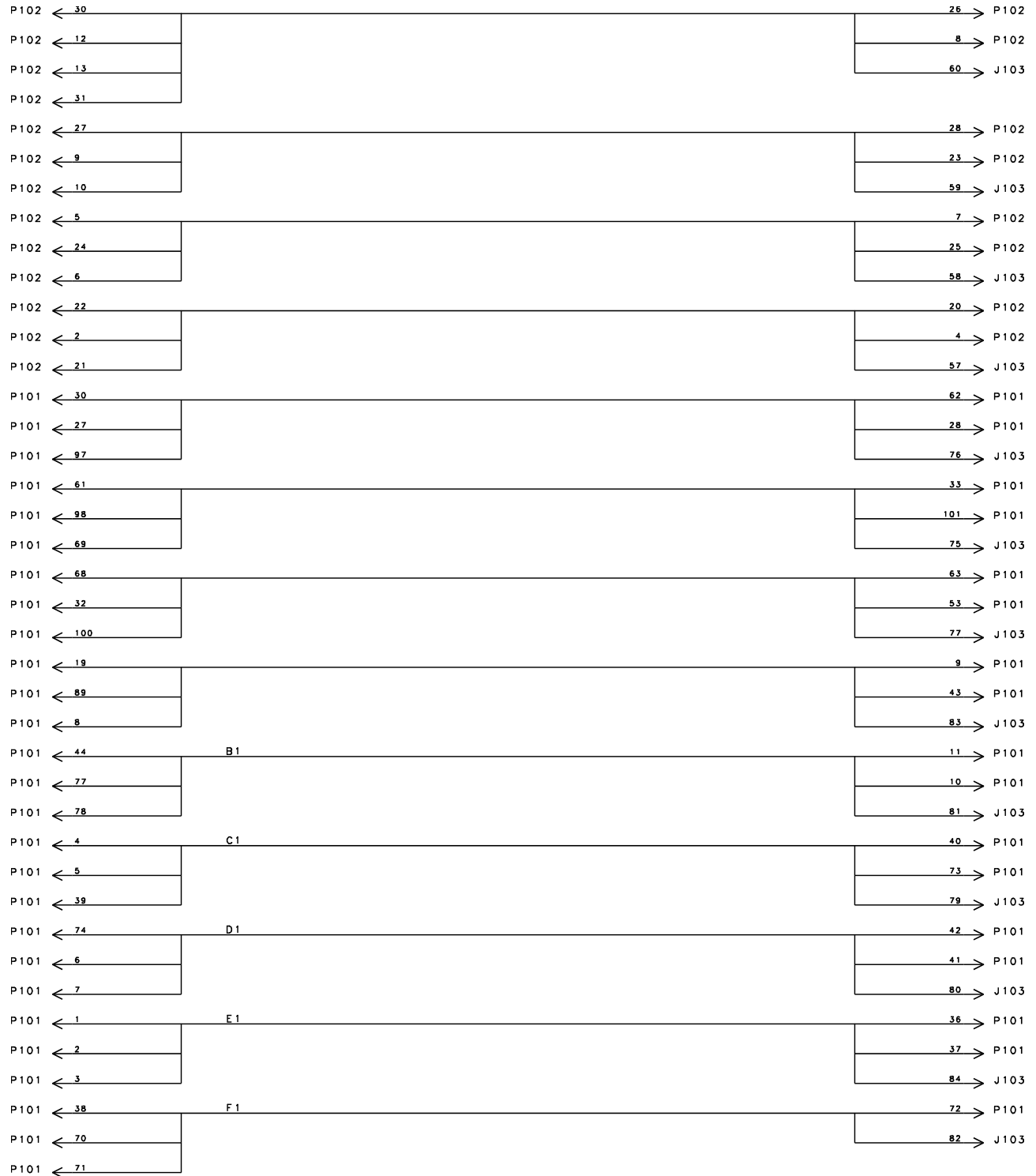
**Figure 122. Junction Box 3, DB1 Circuit Card Assembly Schematic (Sheet 1 of 3)  
 (Part Number 00514-0057-0001) 96 Pin Testpoint Connector**

**ROSEMOUNT AEROSPACE INC.  
COMPONENT MAINTENANCE MANUAL  
SERIES 0514K**



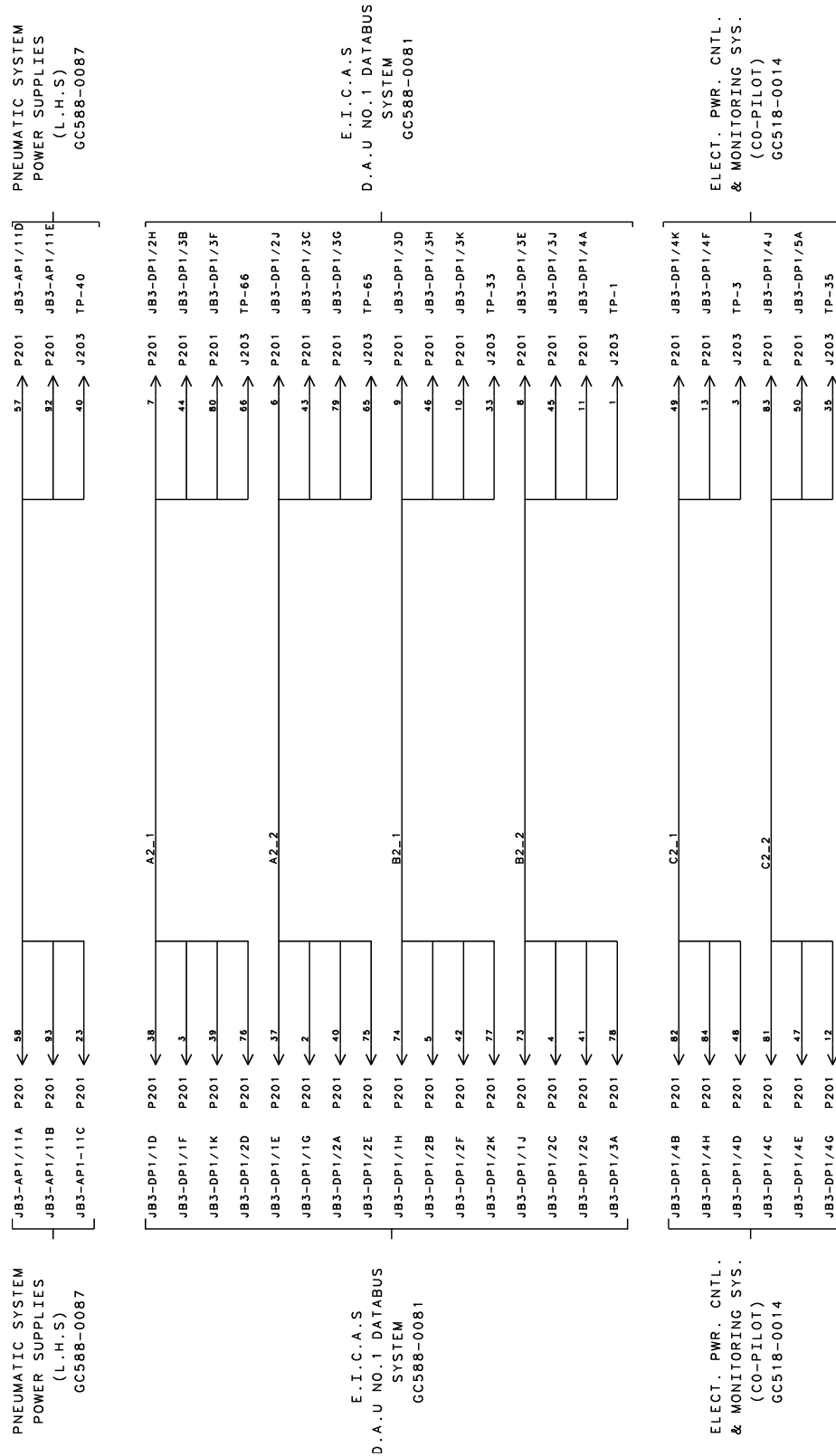
**Figure 122. Junction Box 3, DB1 Circuit Card Assembly Schematic (Sheet 2)  
(Part Number 00514-0057-0001) 96 Pin Testpoint Connector**

**ROSEMOUNT AEROSPACE INC.  
 COMPONENT MAINTENANCE MANUAL  
 SERIES 0514K**



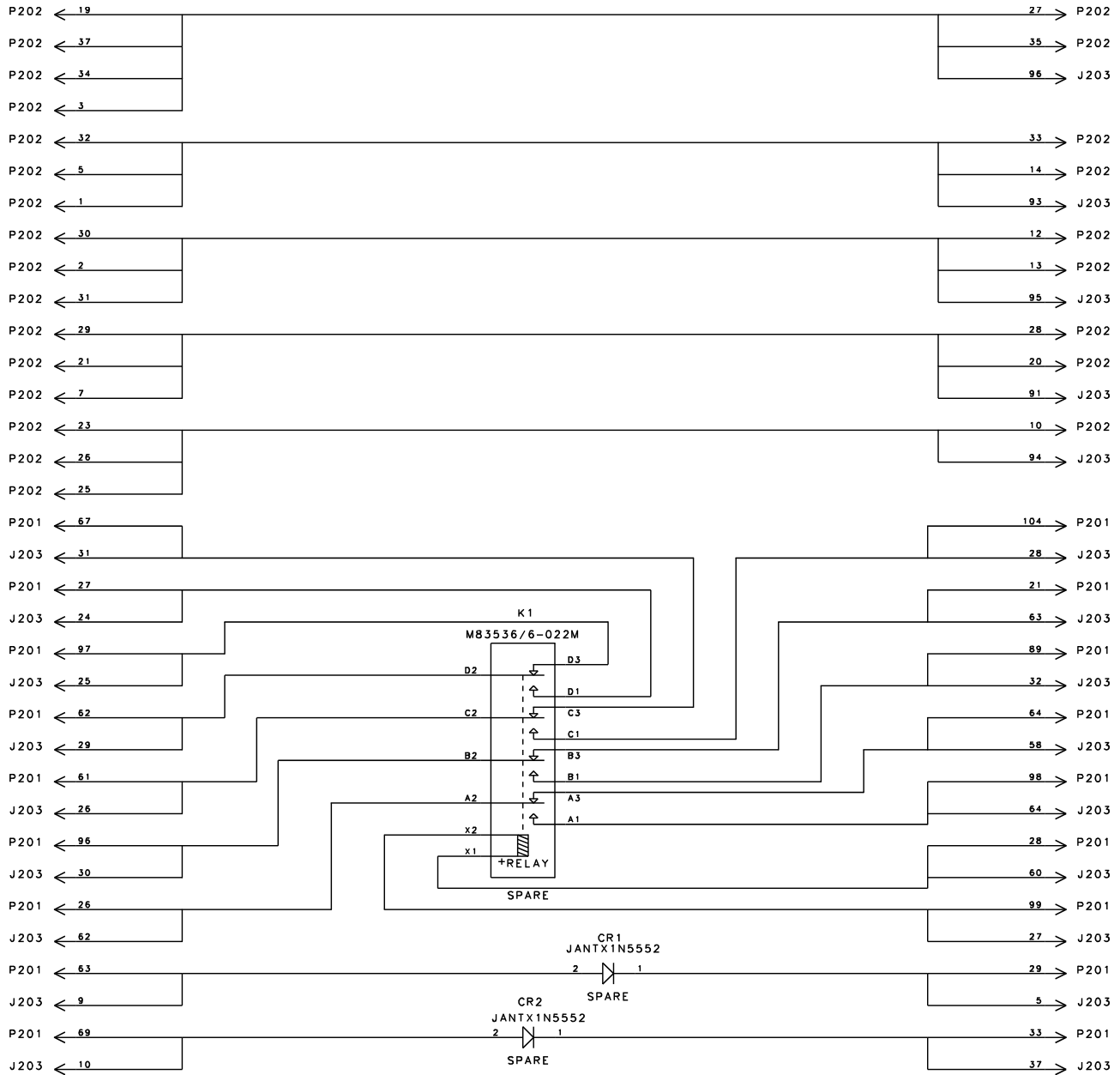
**Figure 122. Junction Box 3, DB1 Circuit Card Assembly Schematic (Sheet 3)  
 (Part Number 00514-0057-0001) 96 Pin Testpoint Connector**

**ROSEMOUNT AEROSPACE INC.  
COMPONENT MAINTENANCE MANUAL  
SERIES 0514K**



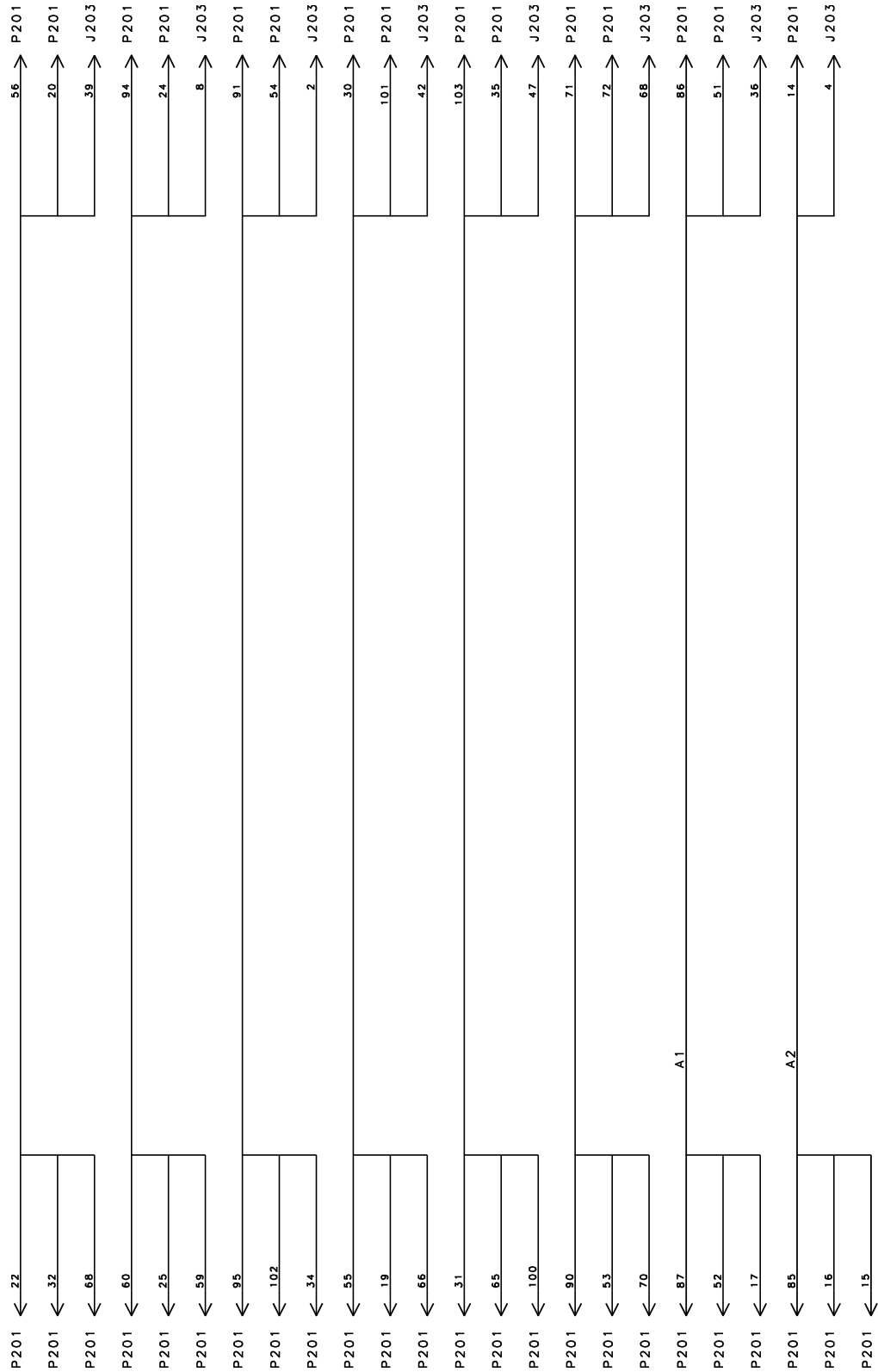
**Figure 123. Junction Box 3, DB2 Circuit Card Assembly Schematic (Sheet 1 of 3)  
(Part Number 00514-0060-0001) 96 Pin Testpoint Connector**

**ROSEMOUNT AEROSPACE INC.  
 COMPONENT MAINTENANCE MANUAL  
 SERIES 0514K**



**Figure 123. Junction Box 3, DB2 Circuit Card Assembly Schematic (Sheet 2)  
 (Part Number 00514-0060-0001) 96 Pin Testpoint Connector**

**ROSEMOUNT AEROSPACE INC.  
COMPONENT MAINTENANCE MANUAL  
SERIES 0514K**



**Figure 123. Junction Box 3, DB2 Circuit Card Assembly Schematic (Sheet 3)  
(Part Number 00514-0060-0001) 96 Pin Testpoint Connector**

ROSEMOUNT AEROSPACE INC.  
 COMPONENT MAINTENANCE MANUAL  
 SERIES 0514K

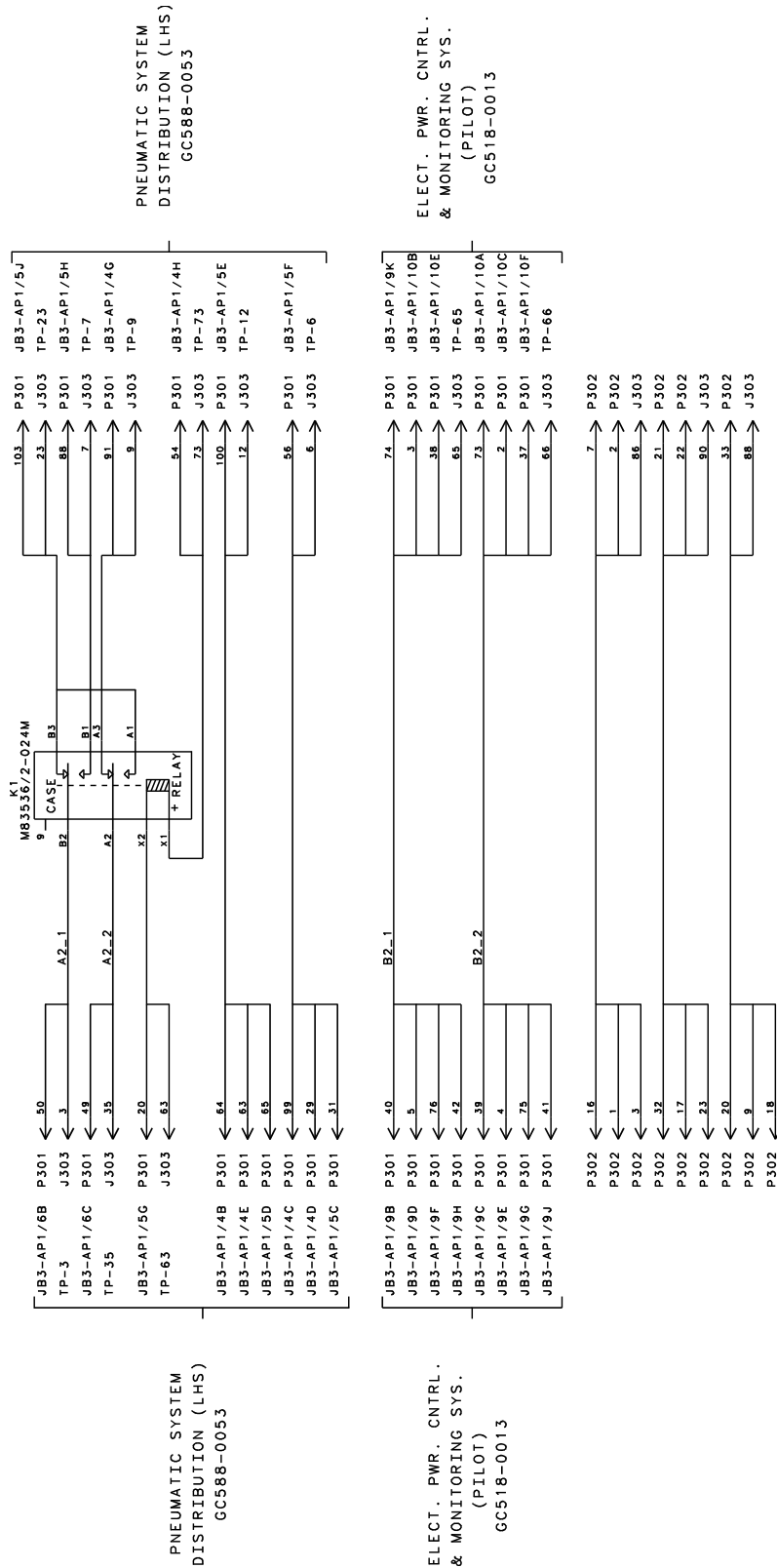
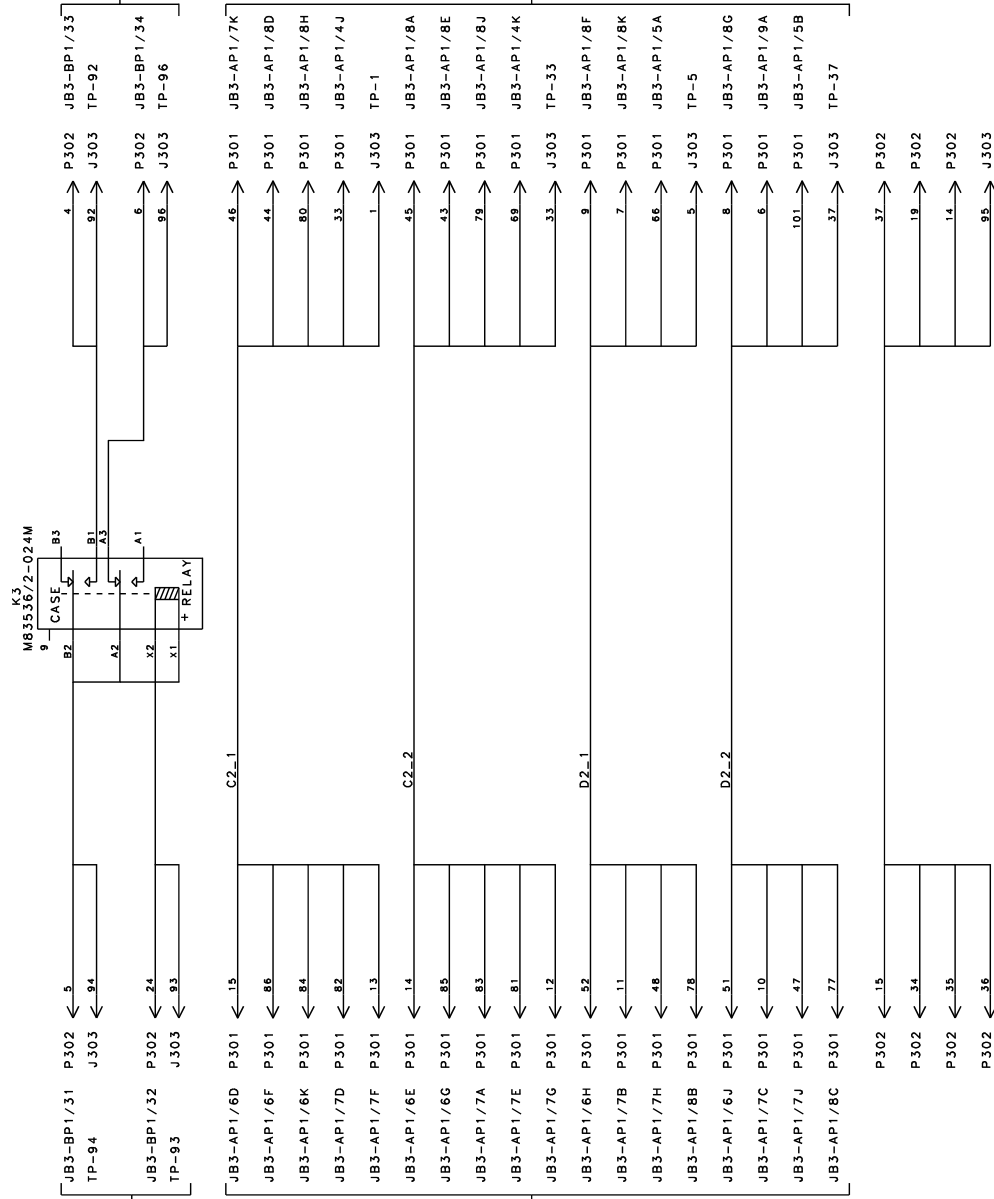


Figure 124. Junction Box 3, DB3 Circuit Card Assembly Schematic (Sheet 1 of 3)  
 (Part Number 00514-0063-0001) 96 Pin Testpoint Connector

ROSEMOUNT AEROSPACE INC.  
 COMPONENT MAINTENANCE MANUAL  
 SERIES 0514K

HYDRAULICS  
 SYSTEM NO. 1  
 GC588-0123

E. I. C. A. S.  
 NO. 3 DATABUS  
 SYSTEM  
 GC588-0083



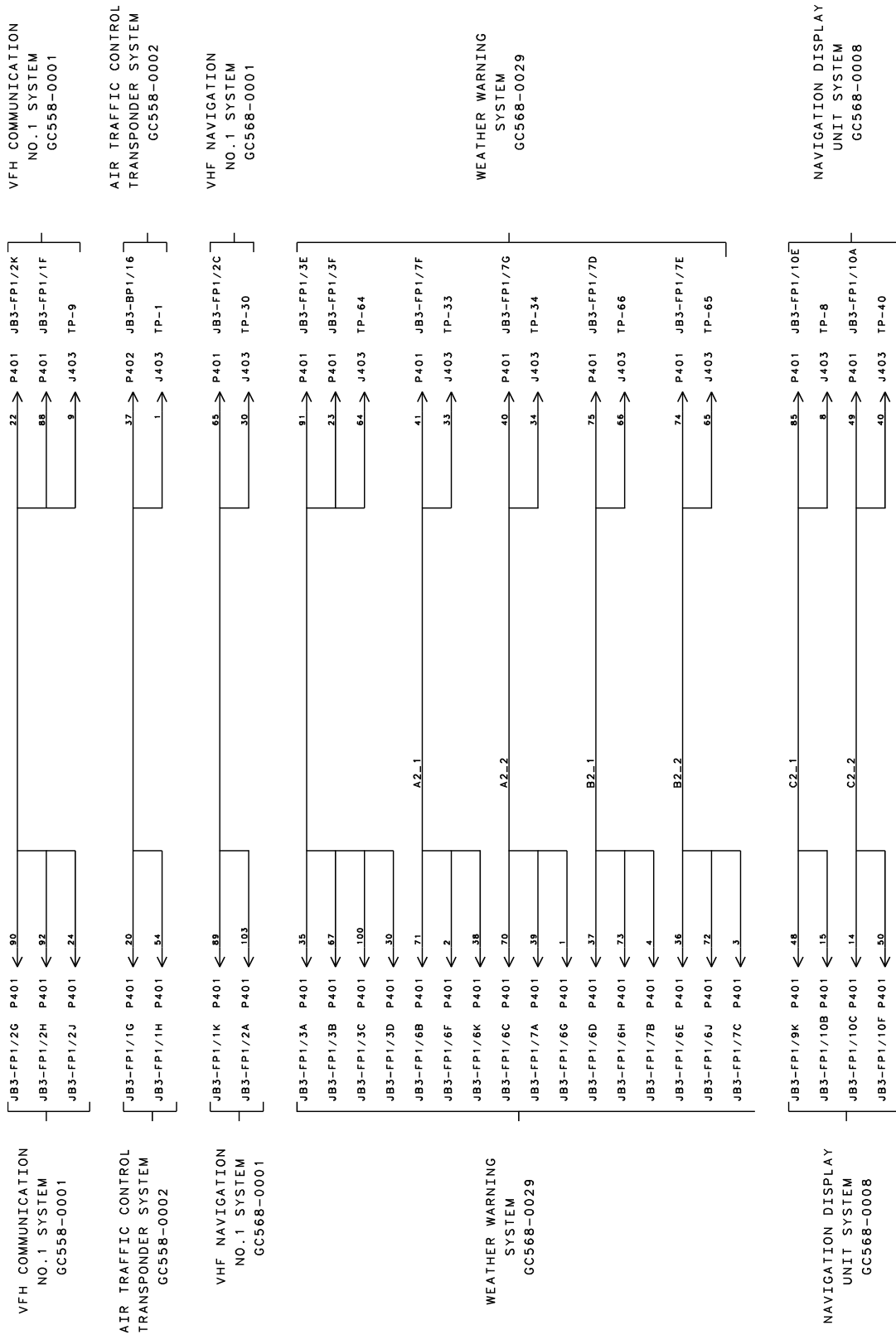
HYDRAULICS  
 SYSTEM NO. 1  
 GC588-0123

E. I. C. A. S.  
 NO. 3 DATABUS  
 SYSTEM  
 GC588-0083

Figure 124. Junction Box 3, DB3 Circuit Card Assembly Schematic (Sheet 2)  
 (Part Number 00514-0063-0001) 96 Pin Testpoint Connector



**ROSEMOUNT AEROSPACE INC.  
COMPONENT MAINTENANCE MANUAL  
SERIES 0514K**



**Figure 125. Junction Box 3, DB4 Circuit Card Assembly Schematic (Sheet 1 of 3)  
(Part Number 00514-0066-0001) 96 Pin Testpoint Connector**

ROSEMOUNT AEROSPACE INC.  
 COMPONENT MAINTENANCE MANUAL  
 SERIES 0514K

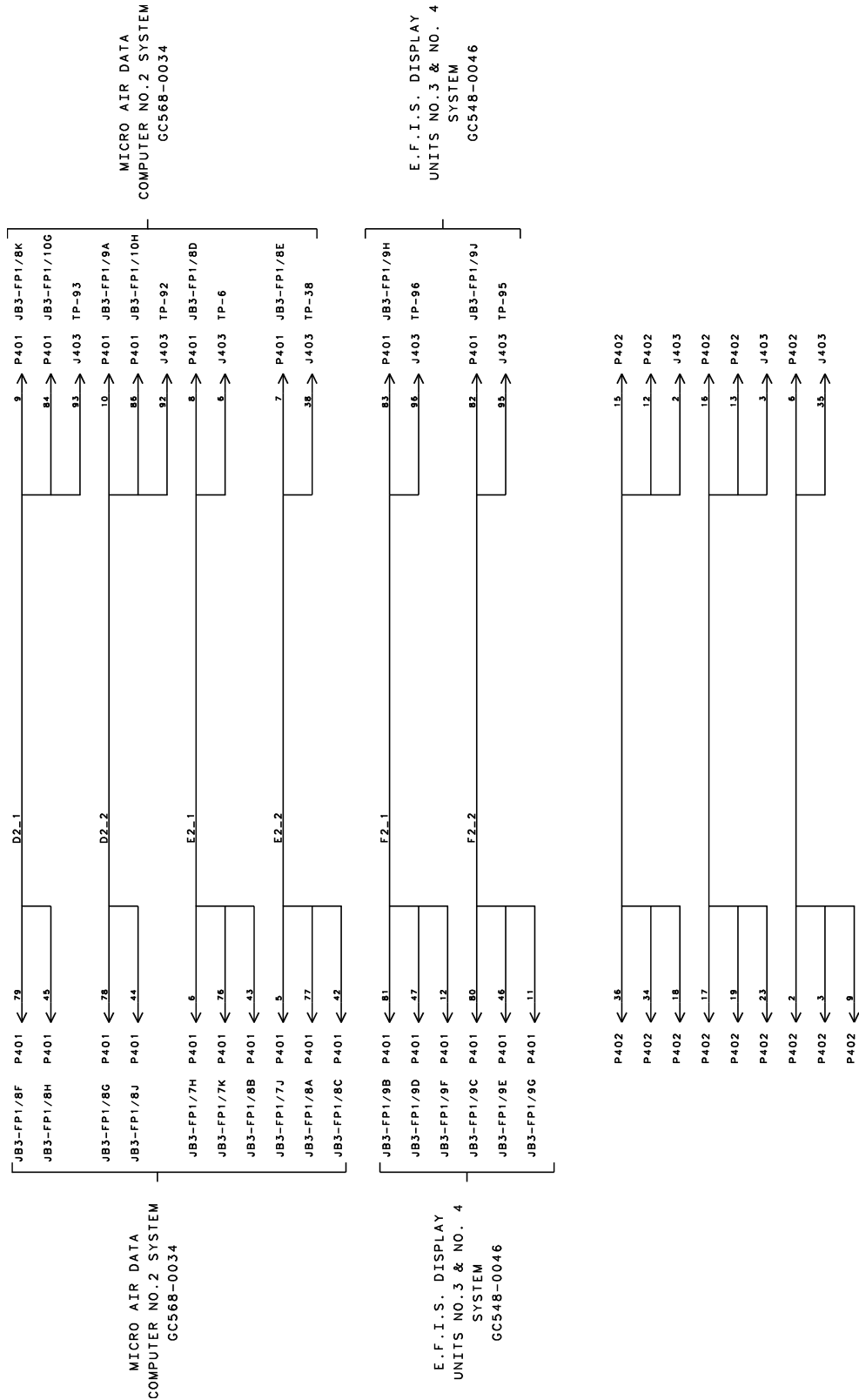
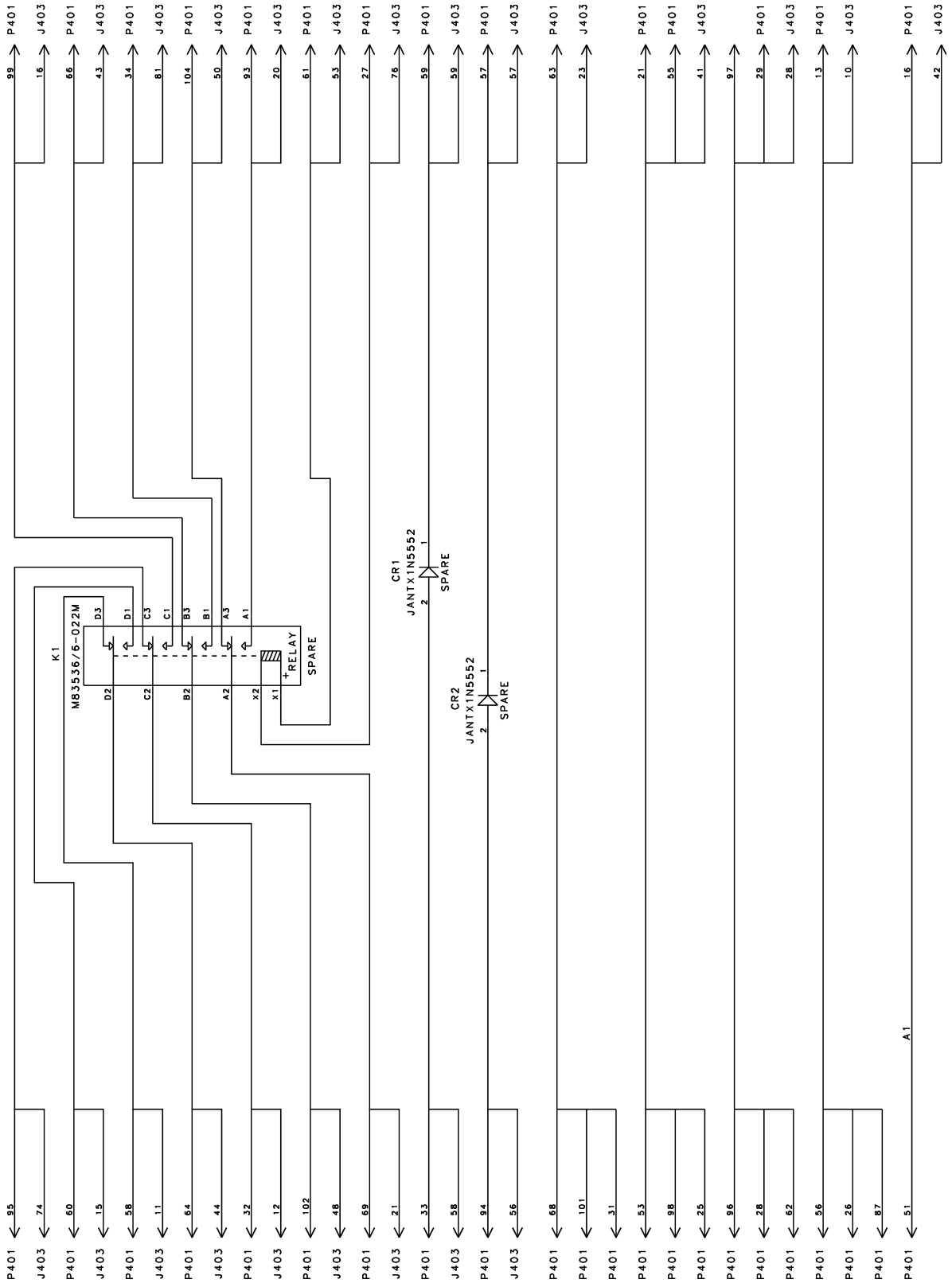


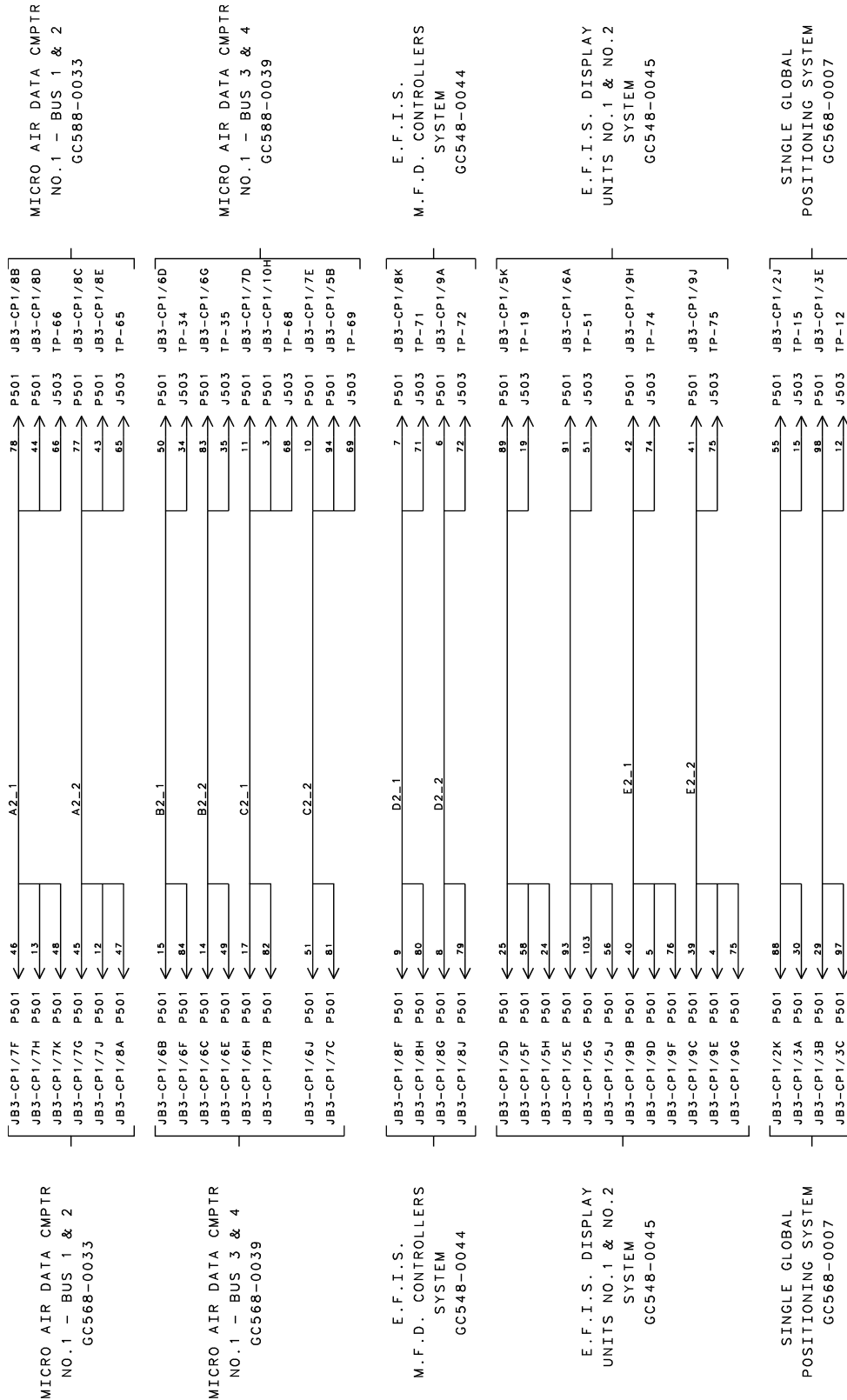
Figure 125. Junction Box 3, DB4 Circuit Card Assembly Schematic (Sheet 2)  
 (Part Number 00514-0066-0001) 96 Pin Testpoint Connector

**ROSEMOUNT AEROSPACE INC.  
COMPONENT MAINTENANCE MANUAL  
SERIES 0514K**



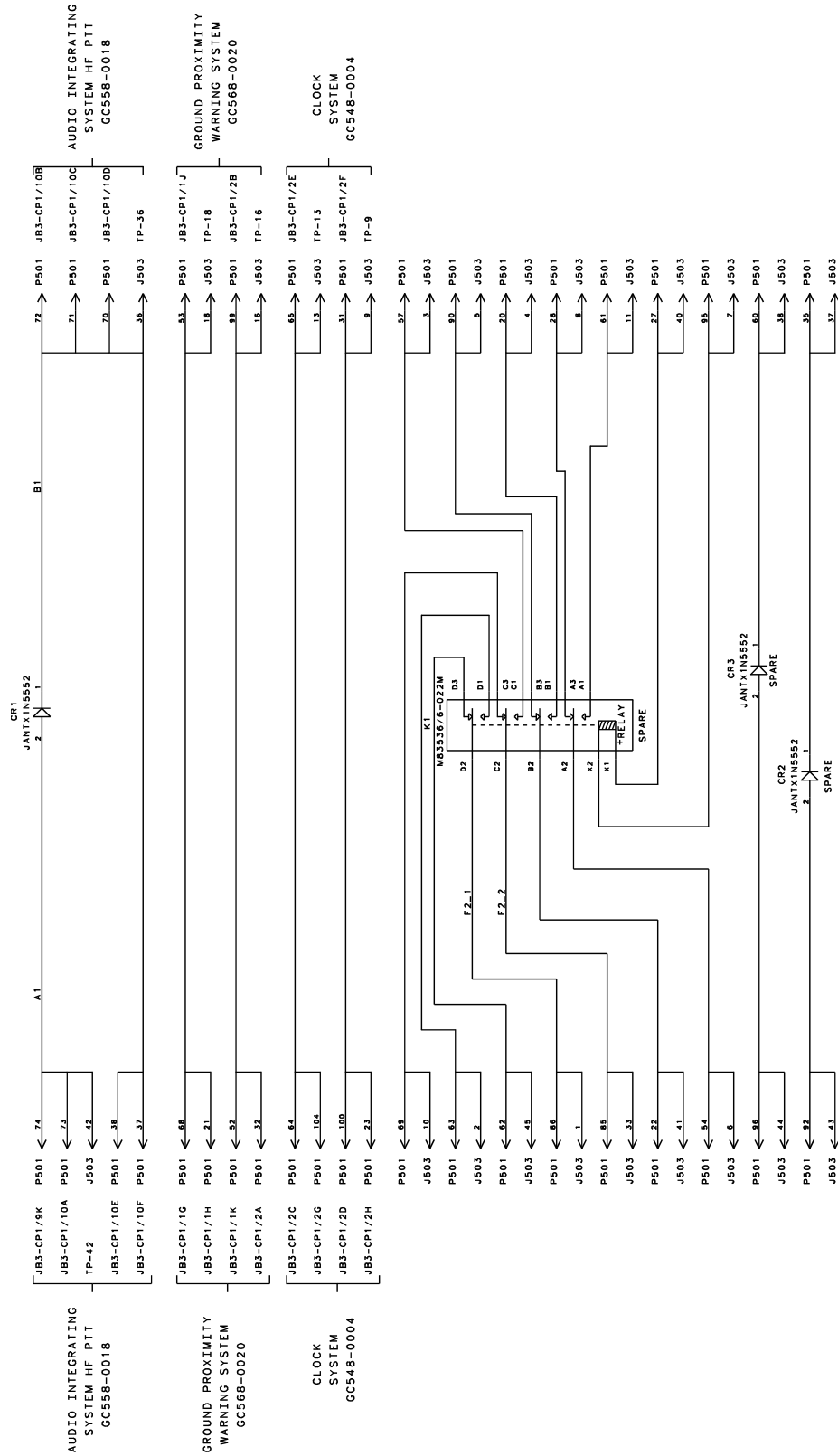
**Figure 125. Junction Box 3, DB4 Circuit Card Assembly Schematic (Sheet 3)  
(Part Number 00514-0066-0001) 96 Pin Testpoint Connector**

**ROSEMOUNT AEROSPACE INC.  
COMPONENT MAINTENANCE MANUAL  
SERIES 0514K**



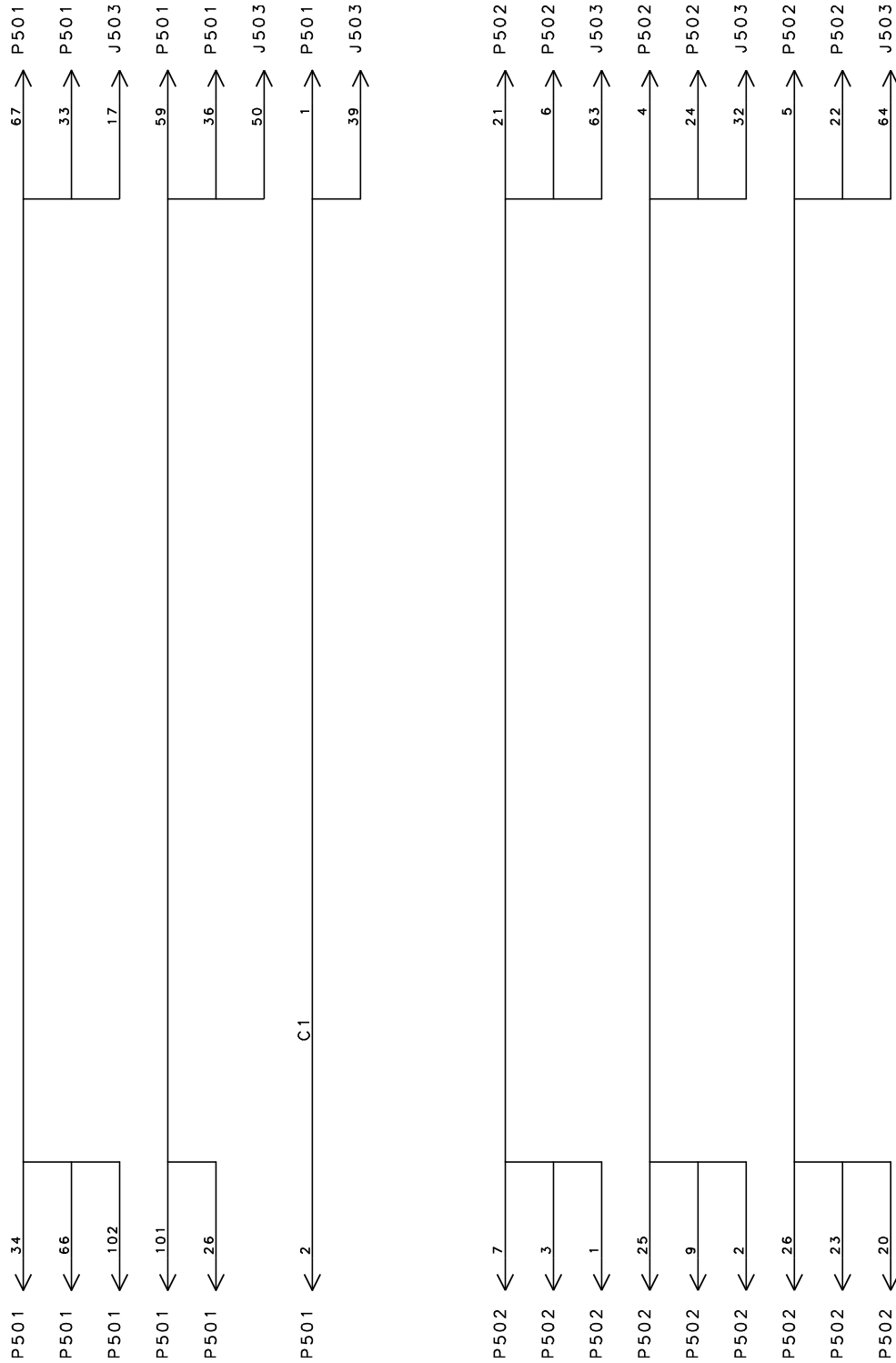
**Figure 126. Junction Box 3, DB5 Circuit Card Assembly Schematic (Sheet 1 of 3)  
(Part Number 00514-0069-0001) 96 Pin Testpoint Connector**

**ROSEMOUNT AEROSPACE INC.  
COMPONENT MAINTENANCE MANUAL  
SERIES 0514K**



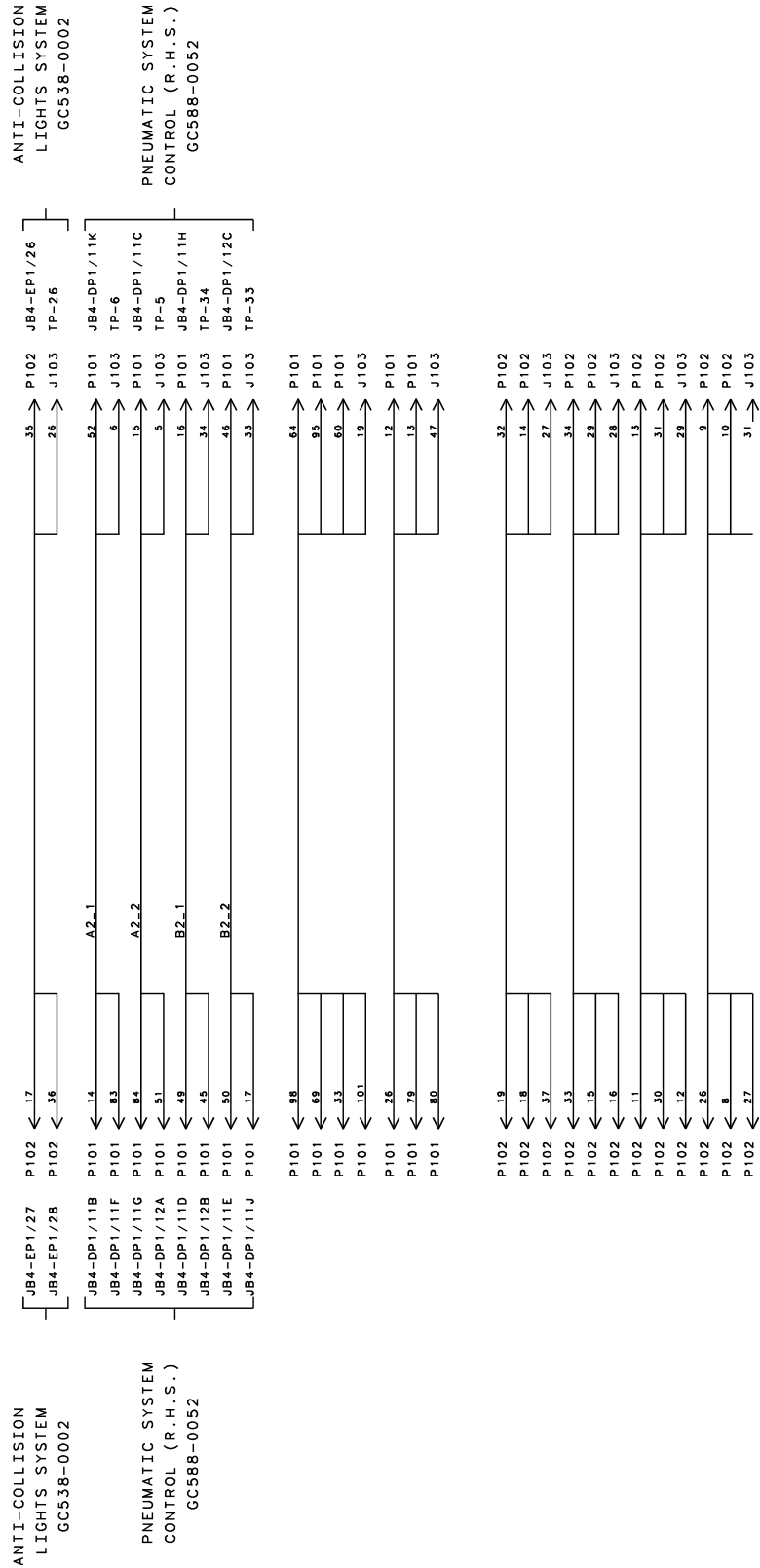
**Figure 126. Junction Box 3, DB5 Circuit Card Assembly Schematic (Sheet 2)  
(Part Number 00514-0069-0001) 96 Pin Testpoint Connector**

**ROSEMOUNT AEROSPACE INC.  
 COMPONENT MAINTENANCE MANUAL  
 SERIES 0514K**



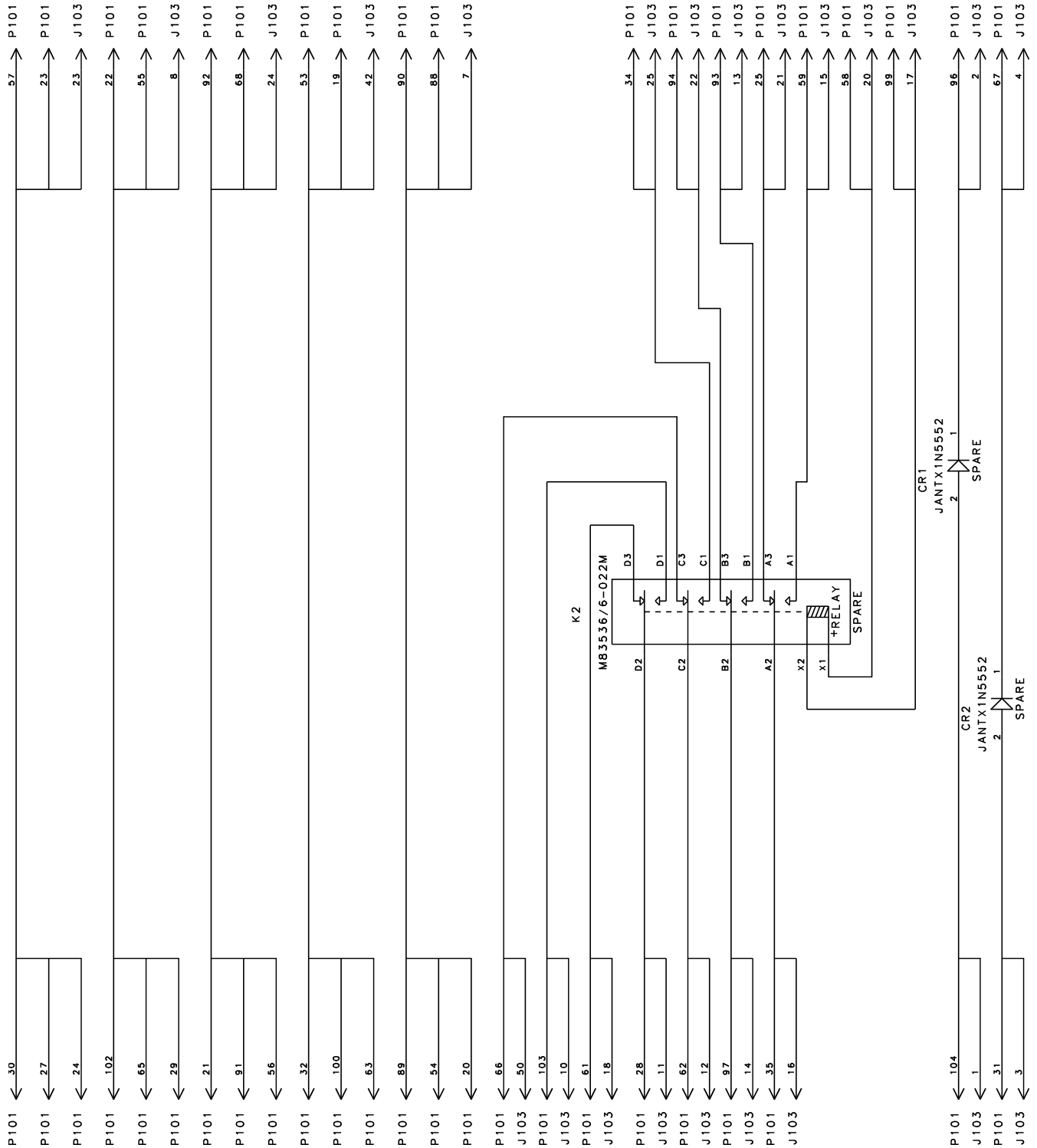
**Figure 126. Junction Box 3, DB5 Circuit Card Assembly Schematic (Sheet 3)  
 (Part Number 00514-0069-0001) 96 Pin Testpoint Connector**

**ROSEMOUNT AEROSPACE INC.  
COMPONENT MAINTENANCE MANUAL  
SERIES 0514K**



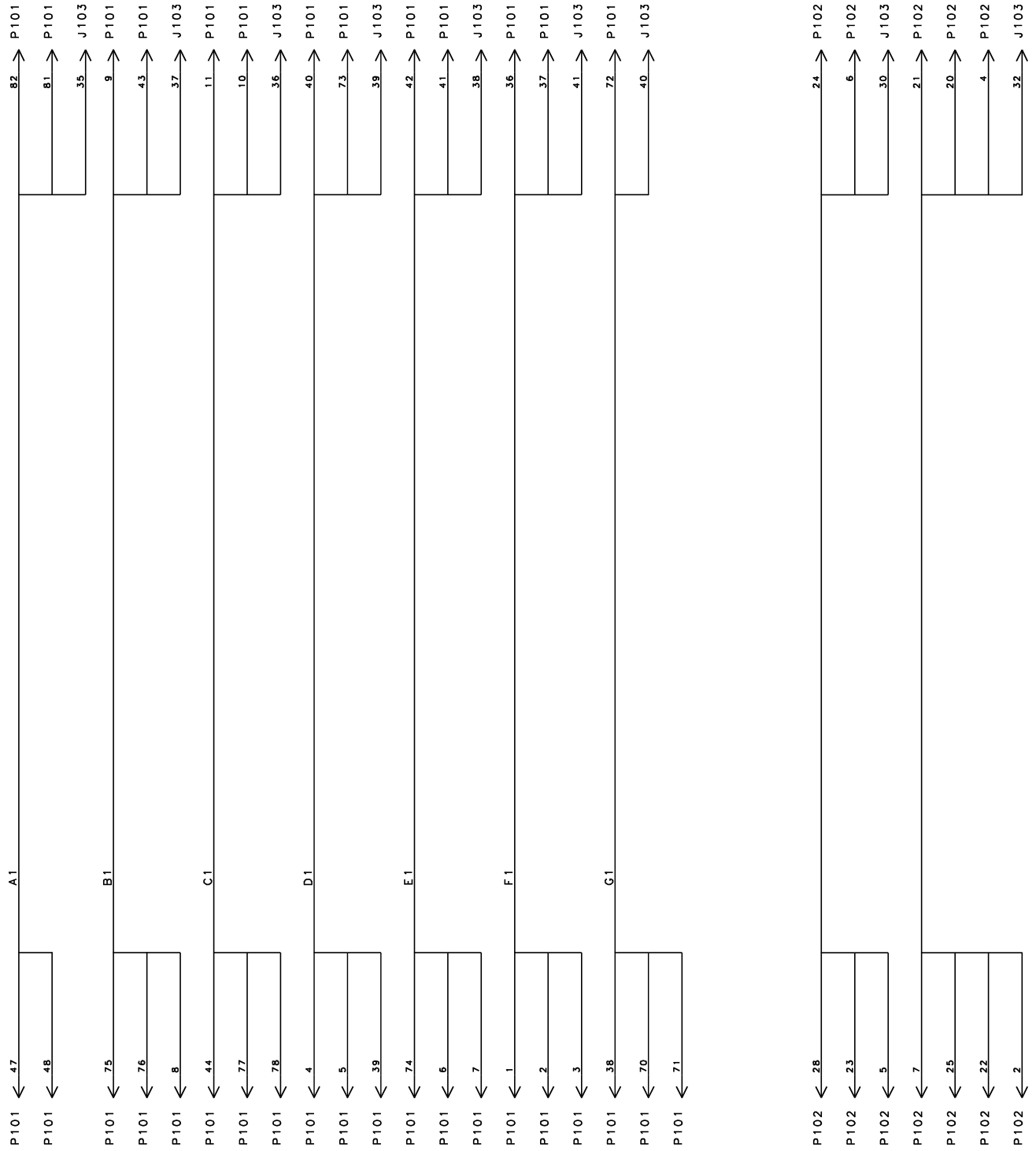
**Figure 127. Junction Box 4, DB1 Circuit Card Assembly Schematic (Sheet 1 of 3)  
(Part Number 00514-0088-0001) 96 Pin Testpoint Connector**

**ROSEMOUNT AEROSPACE INC.  
 COMPONENT MAINTENANCE MANUAL  
 SERIES 0514K**



**Figure 127. Junction Box 4, DB1 Circuit Card Assembly Schematic (Sheet 2)  
 (Part Number 00514-0088-0001) 96 Pin Testpoint Connector**

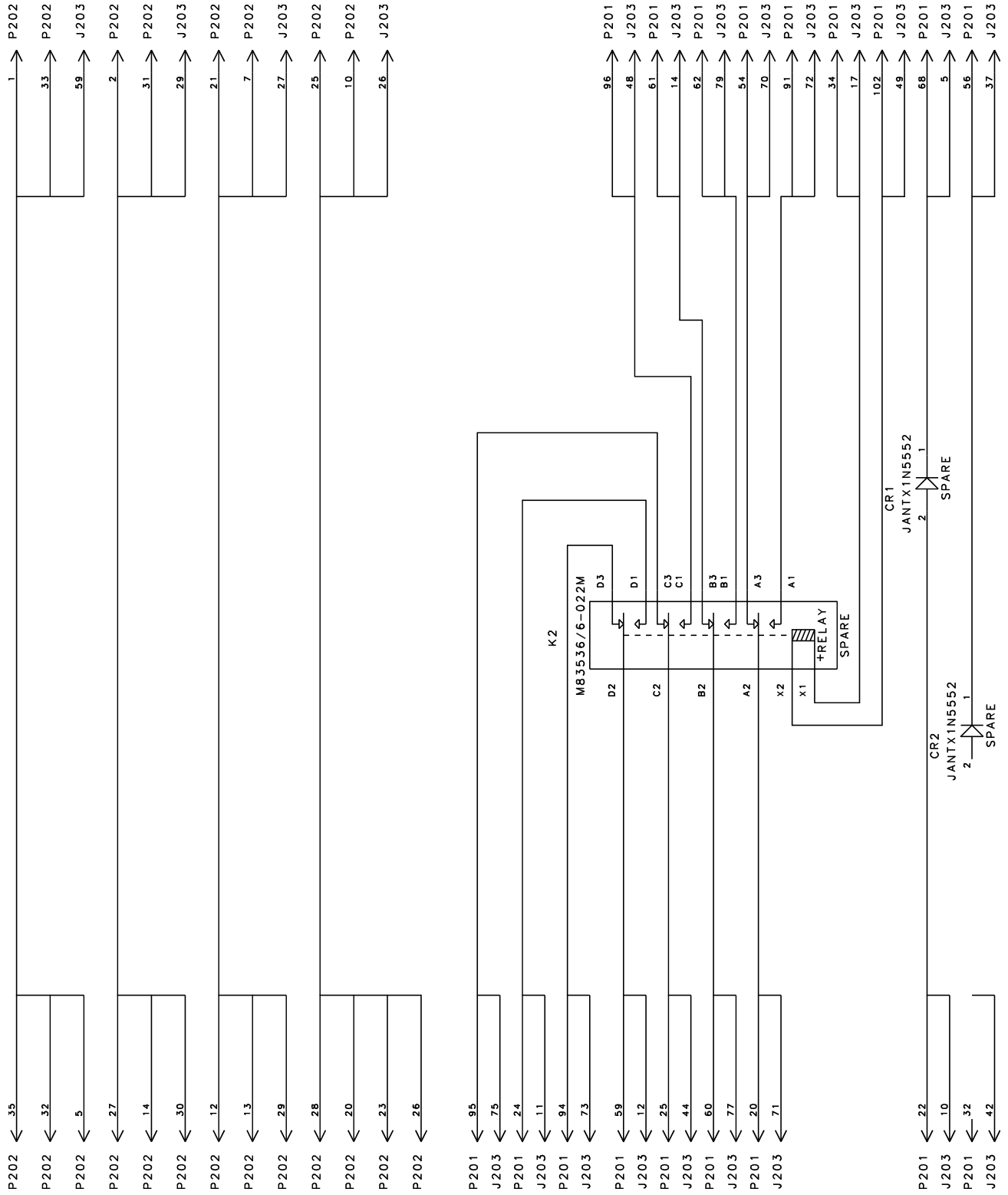
**ROSEMOUNT AEROSPACE INC.  
COMPONENT MAINTENANCE MANUAL  
SERIES 0514K**



**Figure 127. Junction Box 4, DB1 Circuit Card Assembly Schematic (Sheet 3)  
(Part Number 00514-0088-0001) 96 Pin Testpoint Connector**

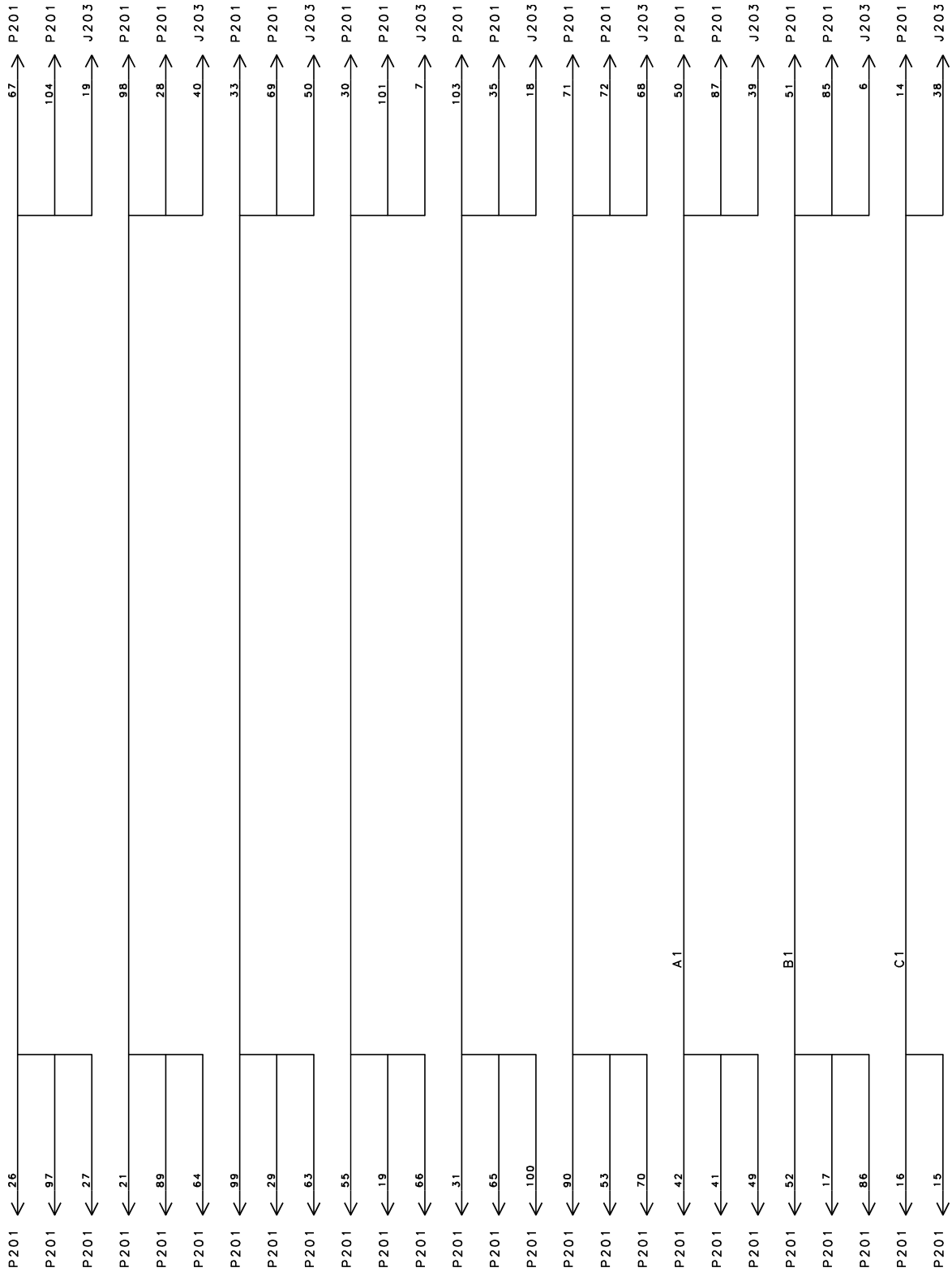


**ROSEMOUNT AEROSPACE INC.  
COMPONENT MAINTENANCE MANUAL  
SERIES 0514K**



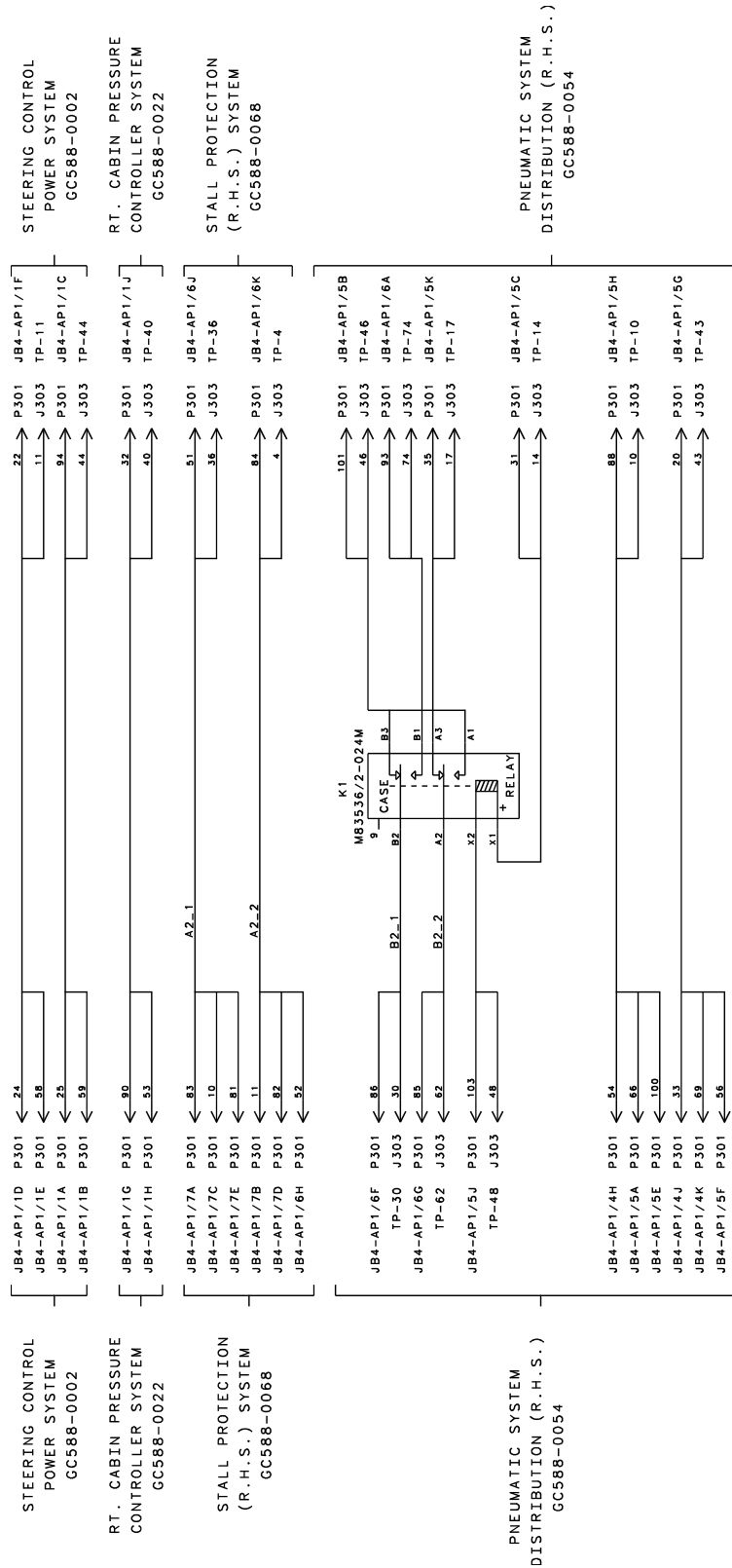
**Figure 128. Junction Box 4, DB2 Circuit Card Assembly Schematic (Sheet 2)  
(Part Number 00514-0091-0001) 96 Pin Testpoint Connector**

**ROSEMOUNT AEROSPACE INC.  
 COMPONENT MAINTENANCE MANUAL  
 SERIES 0514K**



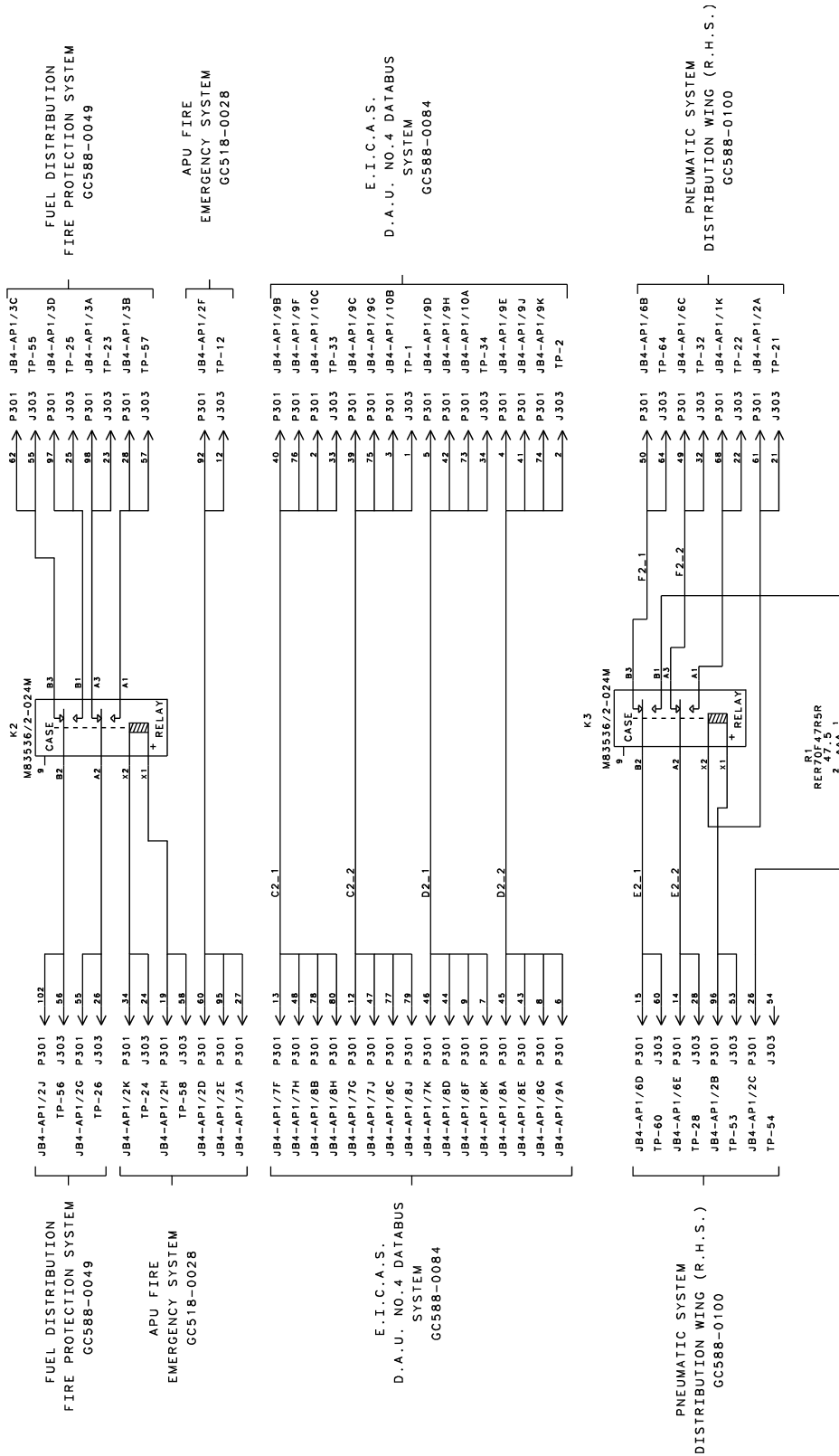
**Figure 128. Junction Box 4, DB2 Circuit Card Assembly Schematic (Sheet 3)  
 (Part Number 00514-0091-0001) 96 Pin Testpoint Connector**

**ROSEMOUNT AEROSPACE INC.  
COMPONENT MAINTENANCE MANUAL  
SERIES 0514K**



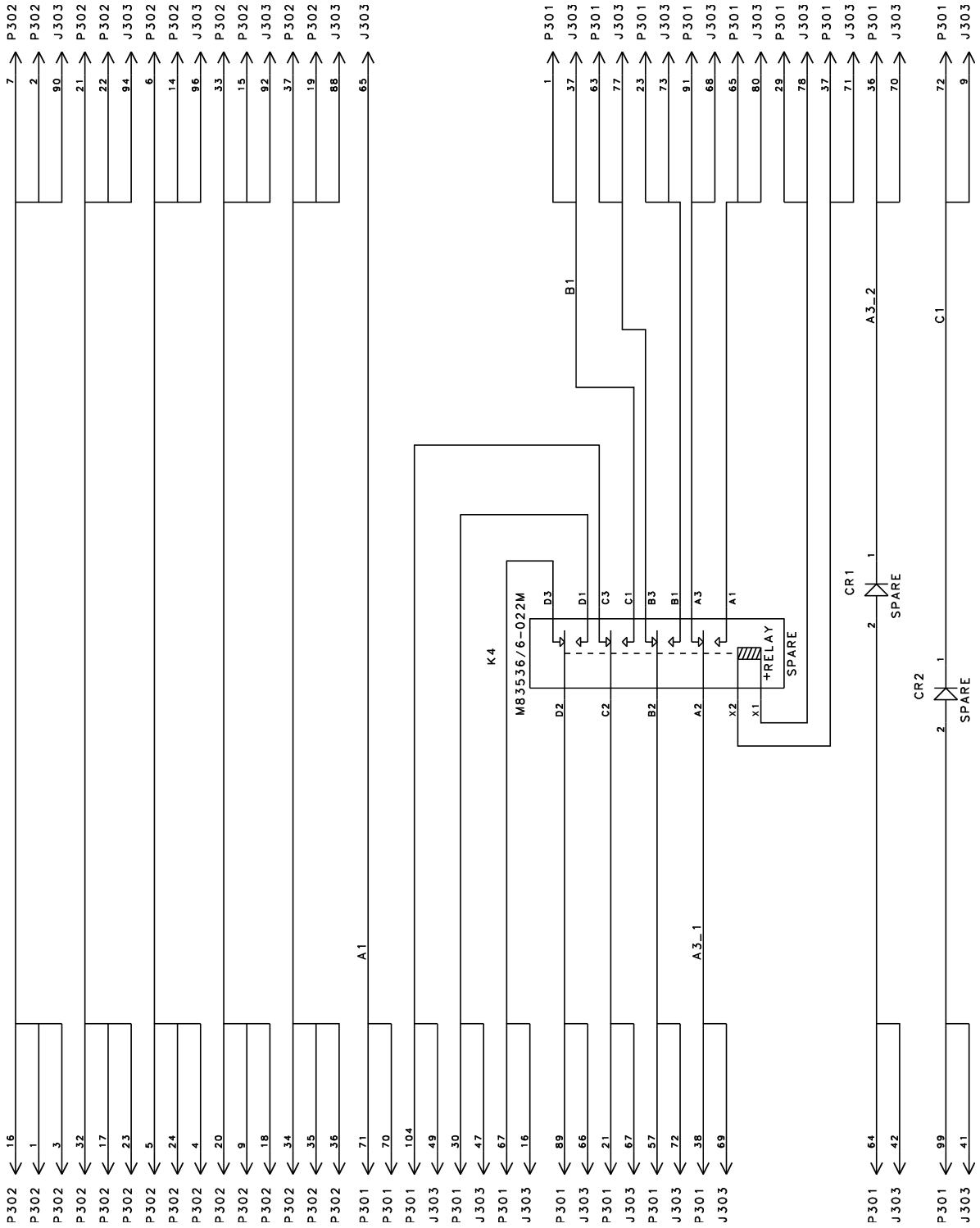
**Figure 129. Junction Box 4, DB3 Circuit Card Assembly Schematic (Sheet 1 of 3)  
(Part Number 00514-0094-0001) 96 Pin Testpoint Connector**

**ROSEMOUNT AEROSPACE INC.  
COMPONENT MAINTENANCE MANUAL  
SERIES 0514K**



**Figure 129. Junction Box 4, DB3 Circuit Card Assembly Schematic (Sheet 2)  
(Part Number 00514-0094-0001) 96 Pin Testpoint Connector**

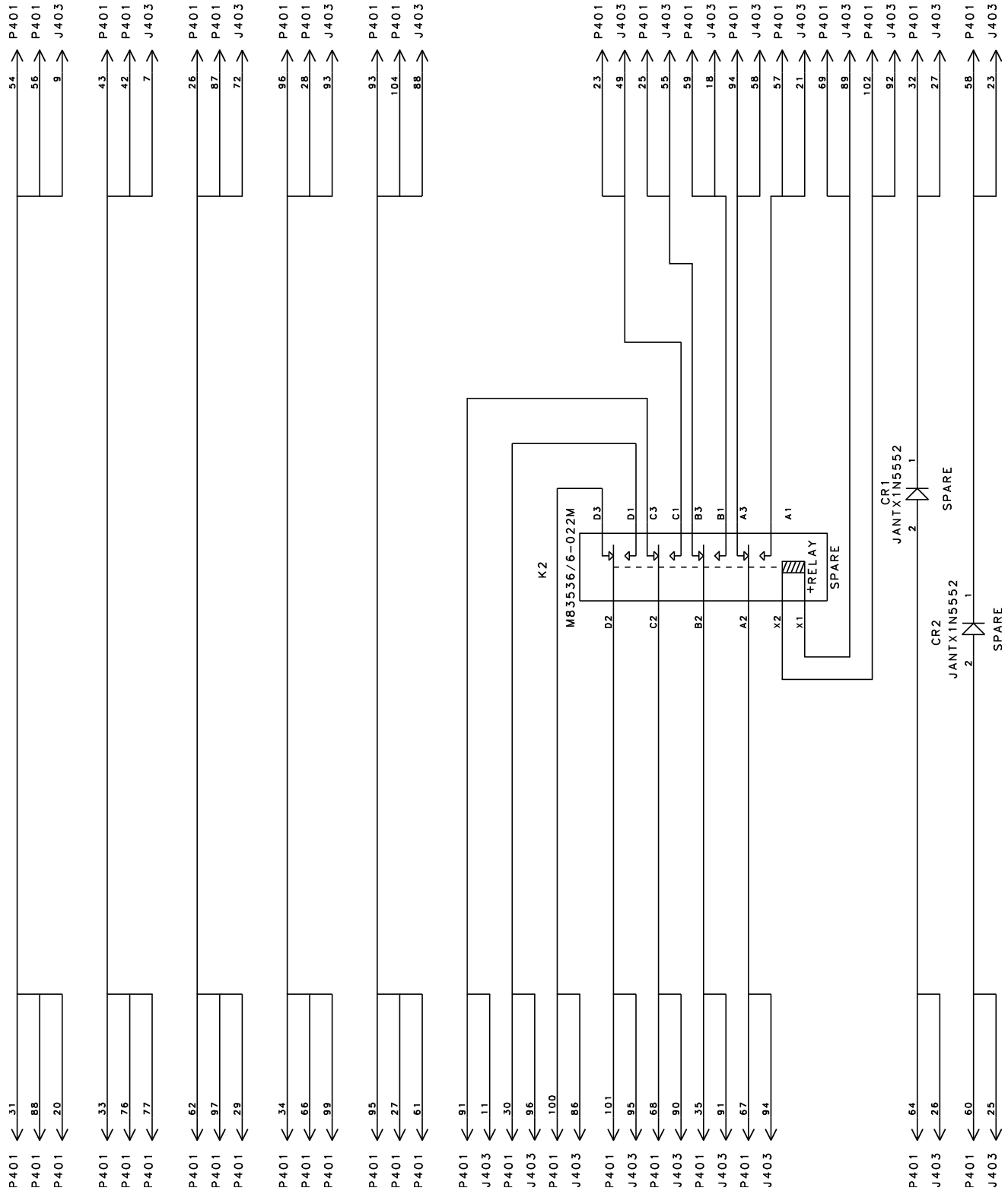
**ROSEMOUNT AEROSPACE INC.  
COMPONENT MAINTENANCE MANUAL  
SERIES 0514K**



**Figure 129. Junction Box 4, DB3 Circuit Card Assembly Schematic (Sheet 3)  
(Part Number 00514-0094-0001) 96 Pin Testpoint Connector**

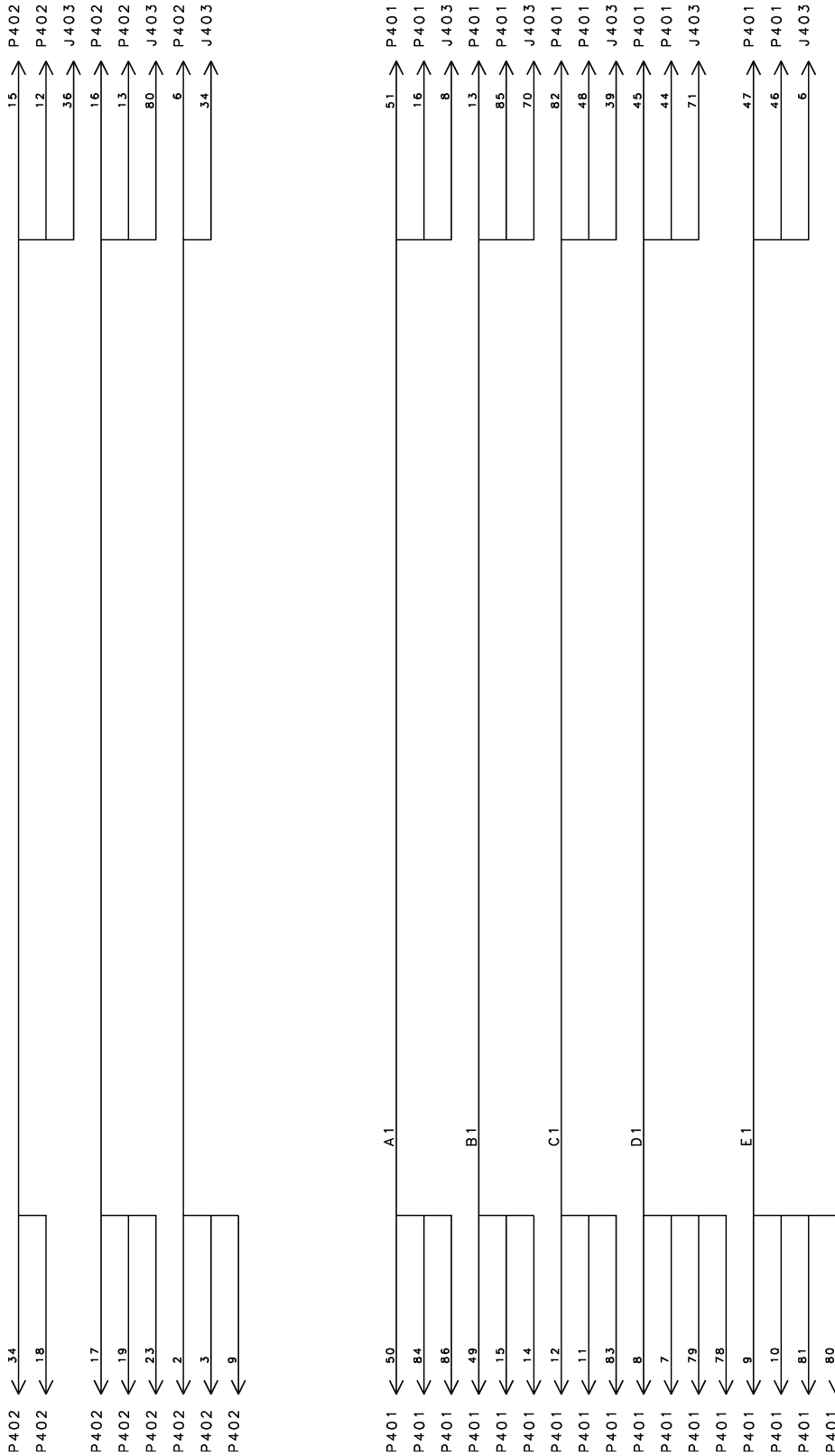


**ROSEMOUNT AEROSPACE INC.  
COMPONENT MAINTENANCE MANUAL  
SERIES 0514K**



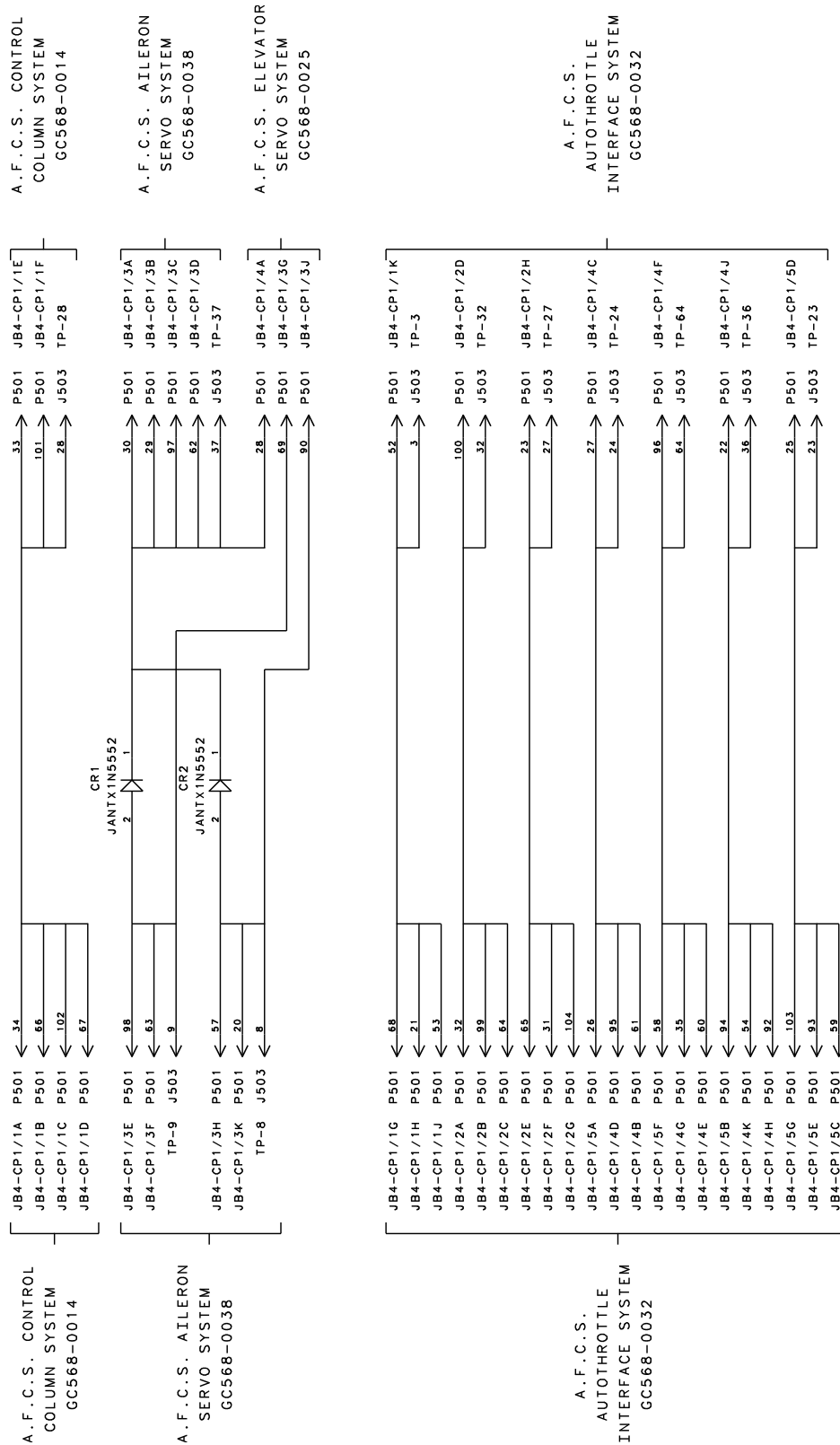
**Figure 130. Junction Box 4, DB4 Circuit Card Assembly Schematic (Sheet 2)  
(Part Number 00514-0097-0001) 96 Pin Testpoint Connector**

**ROSEMOUNT AEROSPACE INC.  
 COMPONENT MAINTENANCE MANUAL  
 SERIES 0514K**



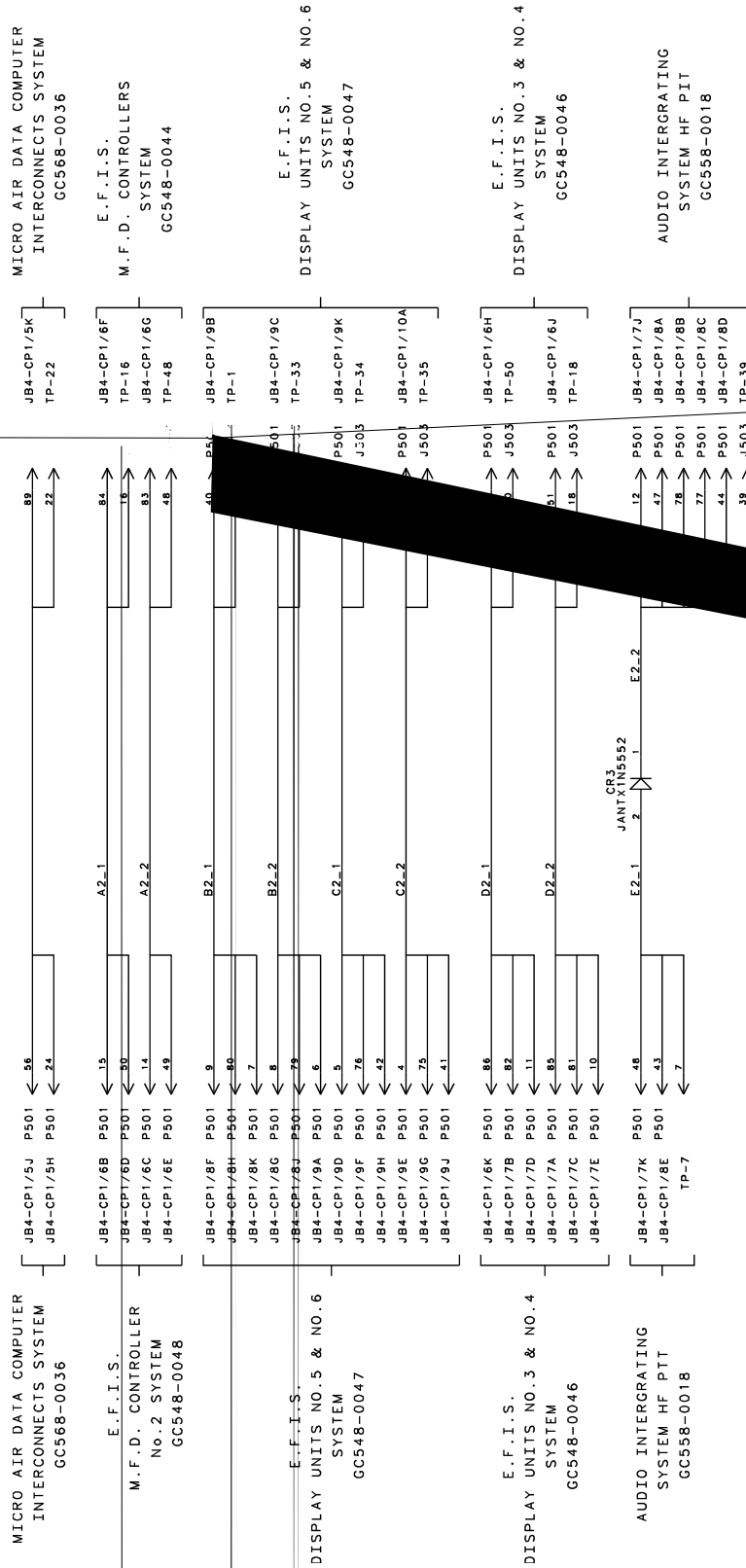
**Figure 130. Junction Box 4, DB4 Circuit Card Assembly Schematic (Sheet 3)  
 (Part Number 00514-0097-0001) 96 Pin Testpoint Connector**

**ROSEMOUNT AEROSPACE INC.  
COMPONENT MAINTENANCE MANUAL  
SERIES 0514K**



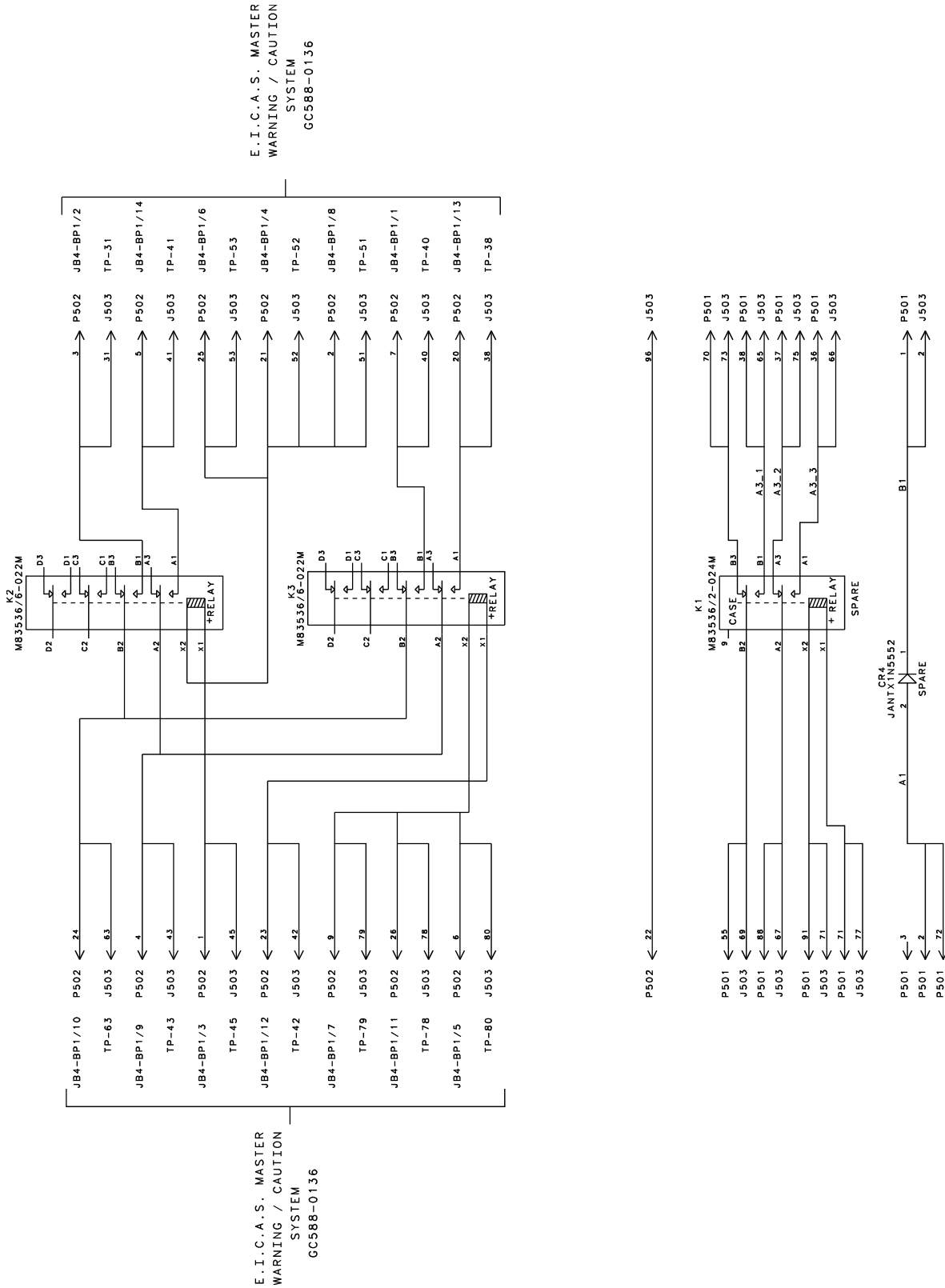
**Figure 131. Junction Box 4, DB5 Circuit Card Assembly Schematic (Sheet 1 of 3)  
(Part Number 00514-0100-0001) 96 Pin Testpoint Connector**

**ROSEMOUNT AEROSPACE INC.  
COMPONENT MAINTENANCE MANUAL  
SERIES 0514K**



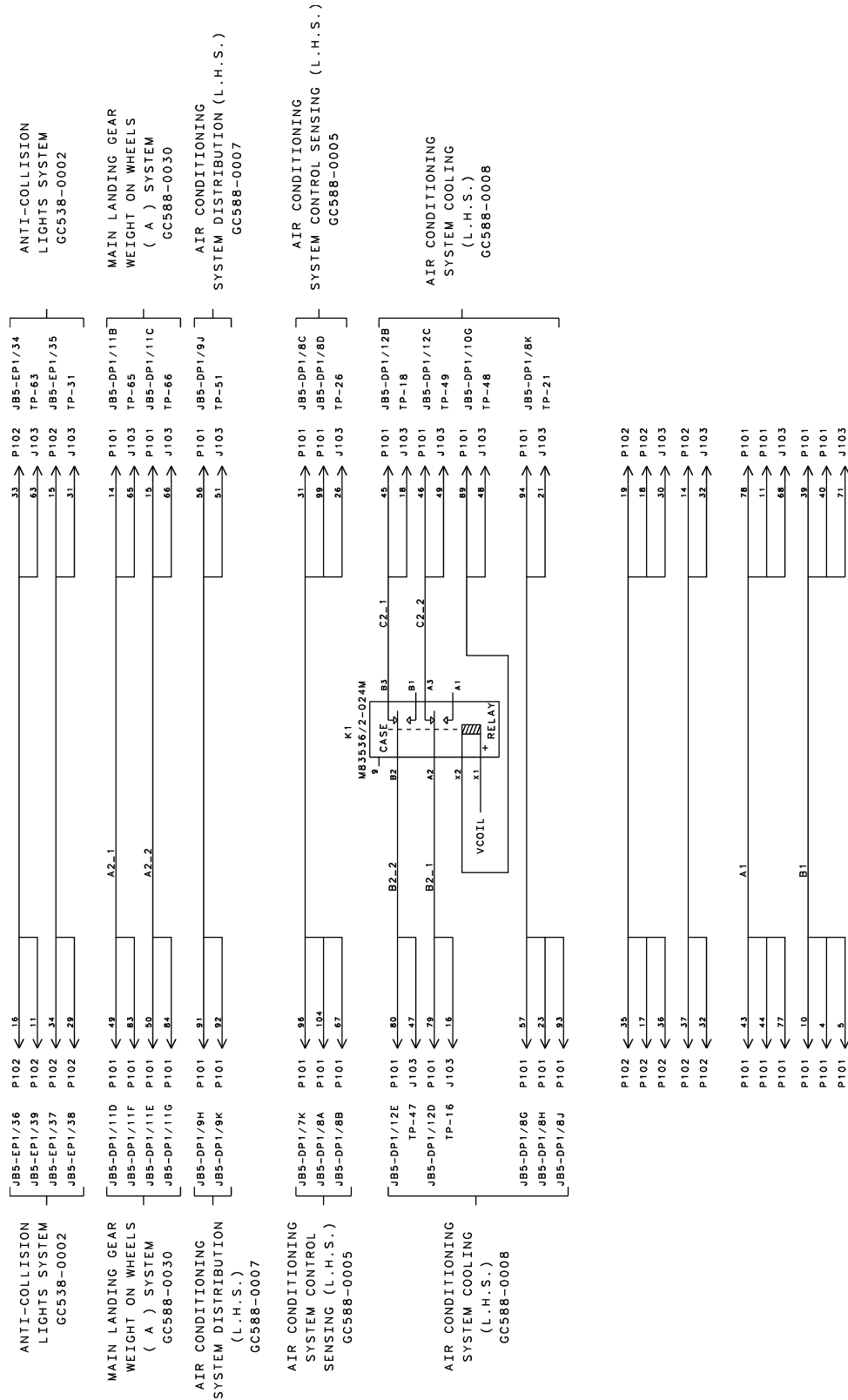
**Figure 131. Junction Box 4, DB5 Circuit Card Assembly Schematic (Sheet 2)  
(Part Number 00514-0100-0001) 96 Pin Testpoint Connector**

**ROSEMOUNT AEROSPACE INC.  
COMPONENT MAINTENANCE MANUAL  
SERIES 0514K**



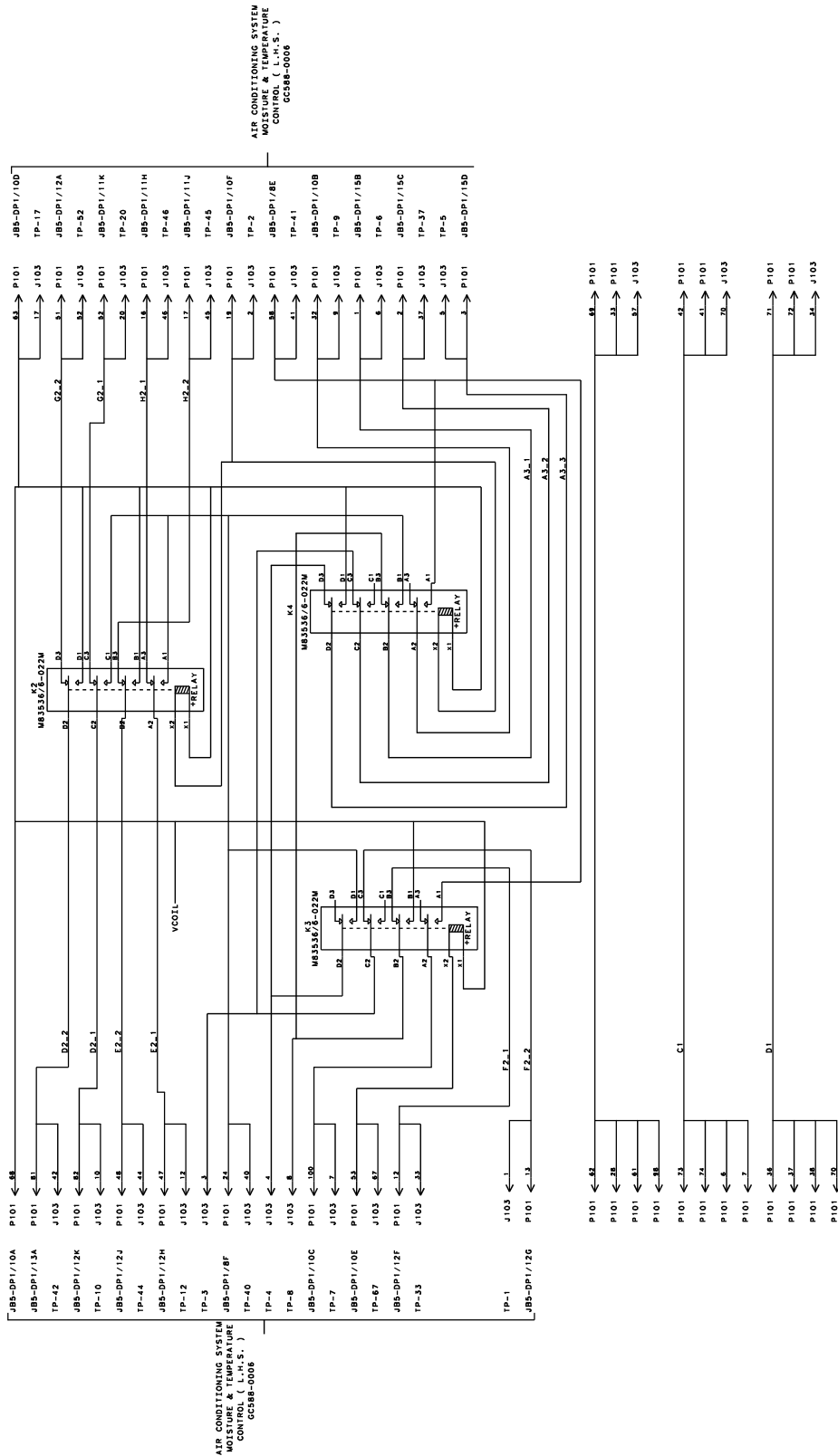
**Figure 131. Junction Box 4, DB5 Circuit Card Assembly Schematic (Sheet 3)  
(Part Number 00514-0100-0001) 96 Pin Testpoint Connector**

**ROSEMOUNT AEROSPACE INC.  
COMPONENT MAINTENANCE MANUAL  
SERIES 0514K**



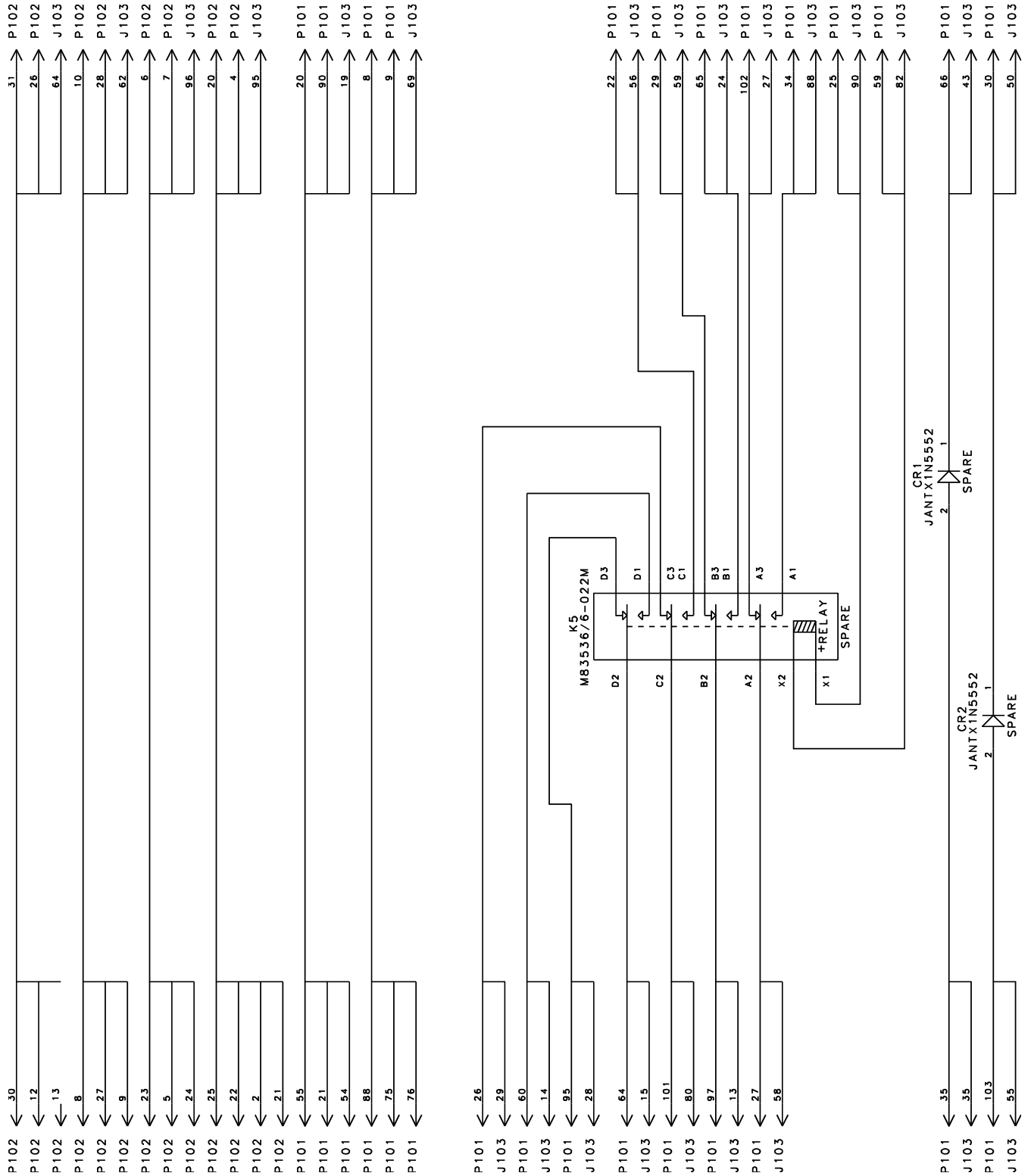
**Figure 132. Junction Box 5, DB1 Circuit Card Assembly Schematic (Sheet 1 of 3)  
(Part Number 00514-0104-0001) 96 Pin Testpoint Connector**

**ROSEMOUNT AEROSPACE INC.  
COMPONENT MAINTENANCE MANUAL  
SERIES 0514K**



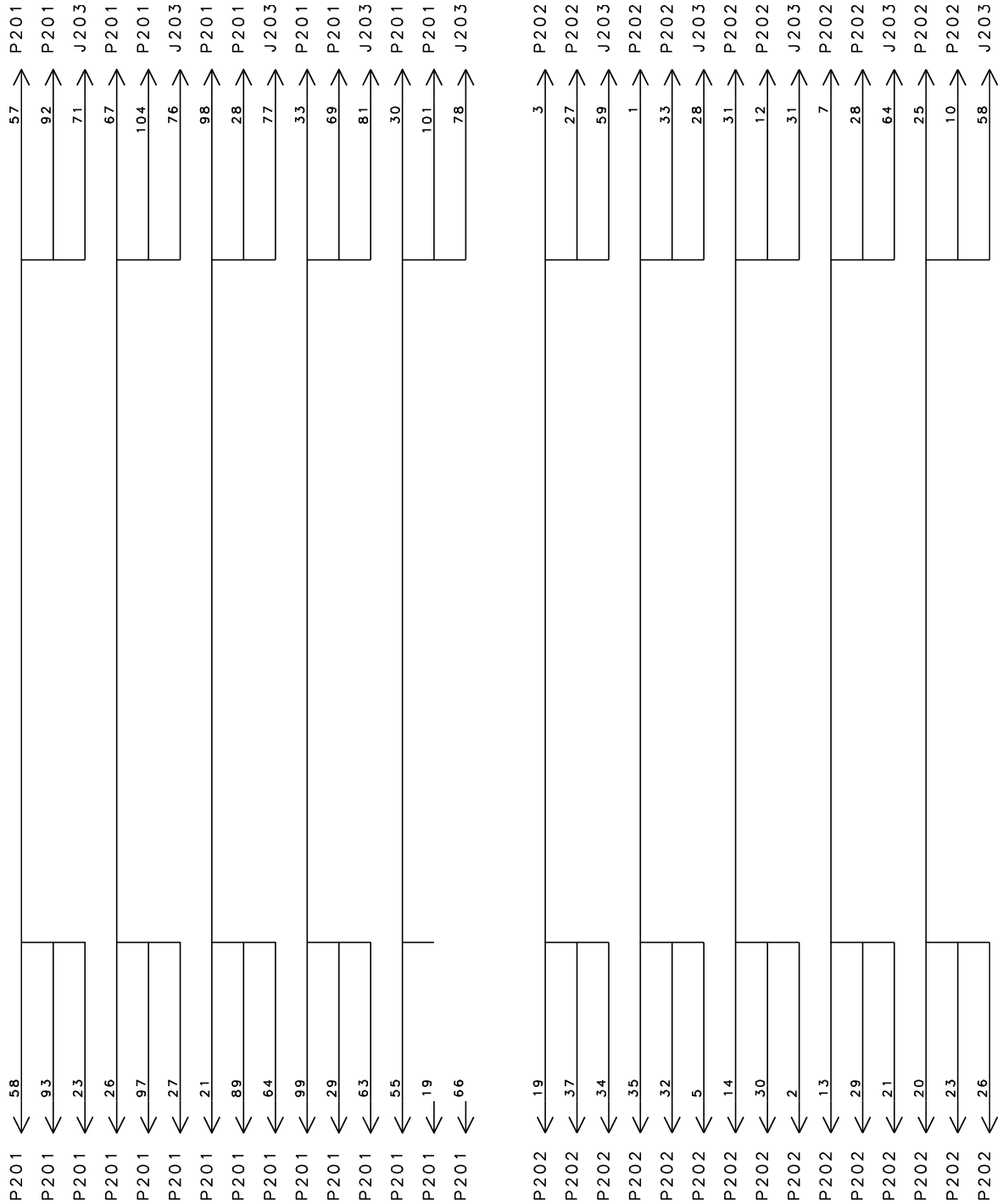
**Figure 132. Junction Box 5, DB1 Circuit Card Assembly Schematic (Sheet 2)  
(Part Number 00514-0104-0001) 96 Pin Testpoint Connector**

**ROSEMOUNT AEROSPACE INC.  
COMPONENT MAINTENANCE MANUAL  
SERIES 0514K**



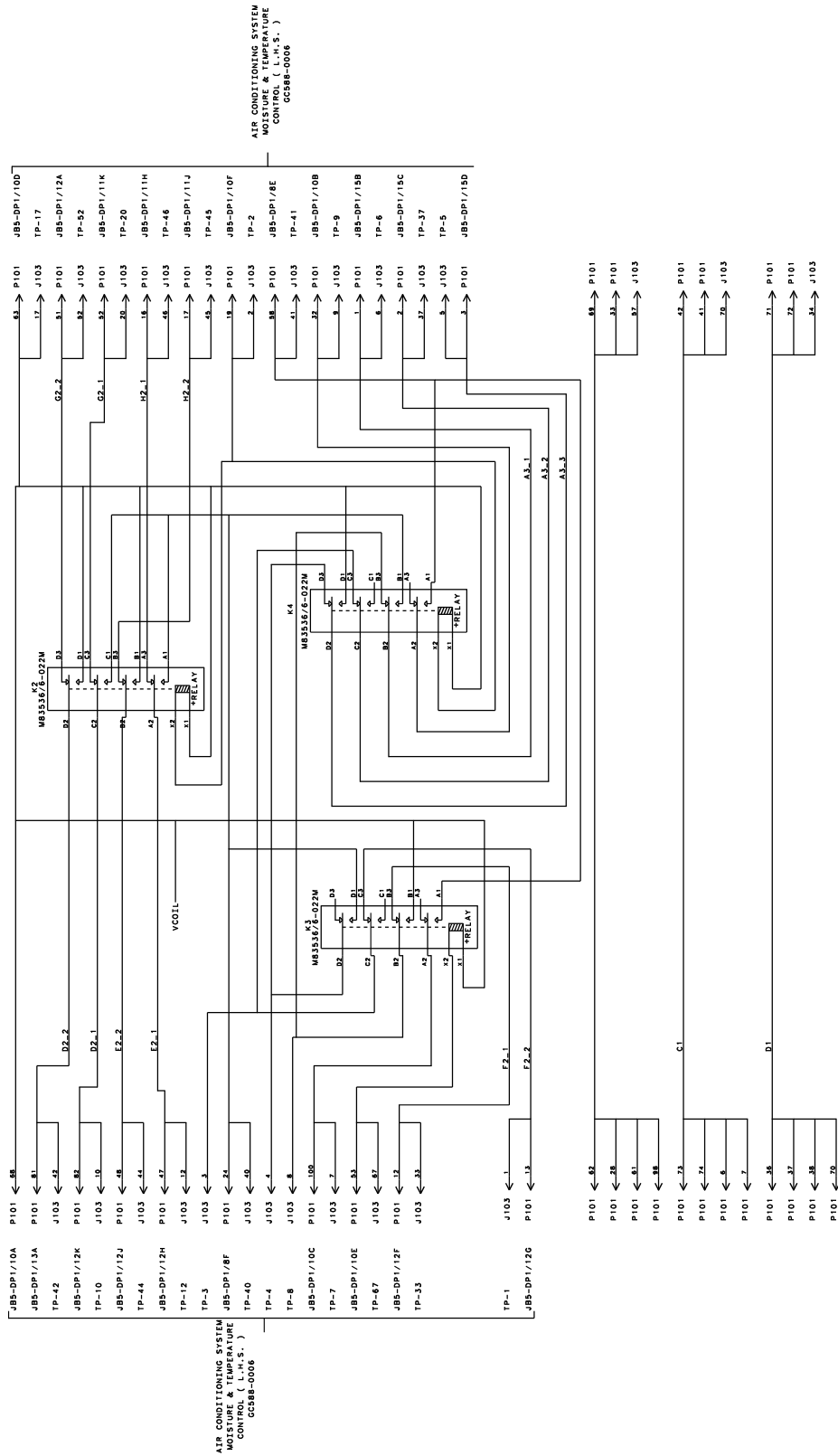
**Figure 132. Junction Box 5, DB1 Circuit Card Assembly Schematic (Sheet 3)  
(Part Number 00514-0104-0001) 96 Pin Testpoint Connector**

**ROSEMOUNT AEROSPACE INC.  
COMPONENT MAINTENANCE MANUAL  
SERIES 0514K**



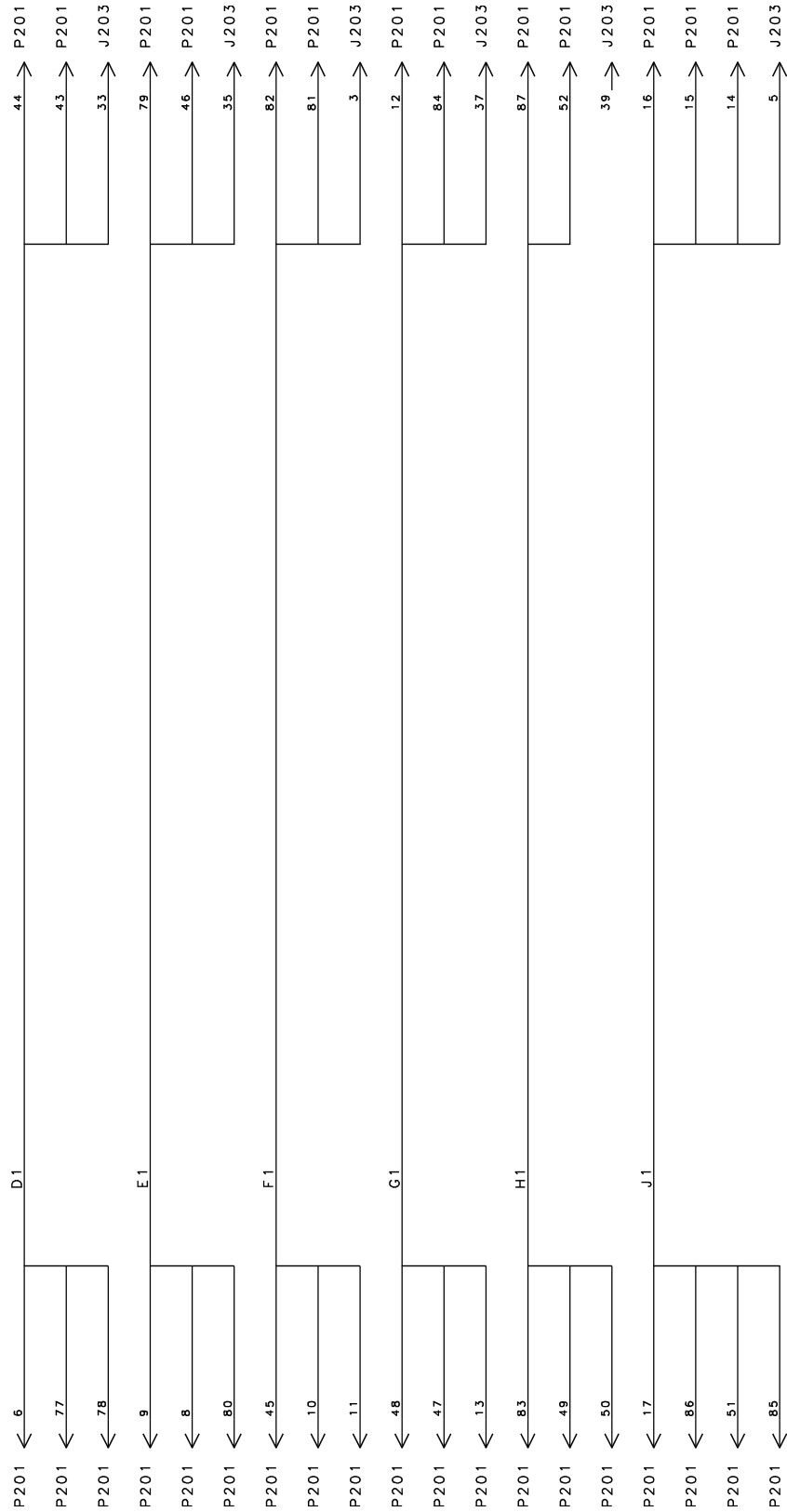
**Figure 133. Junction Box 5, DB2 Circuit Card Assembly Schematic (Sheet 1 of 3)  
(Part Number 00514-0107-0001) 96 Pin Testpoint Connector**

**ROSEMOUNT AEROSPACE INC.  
 COMPONENT MAINTENANCE MANUAL  
 SERIES 0514K**



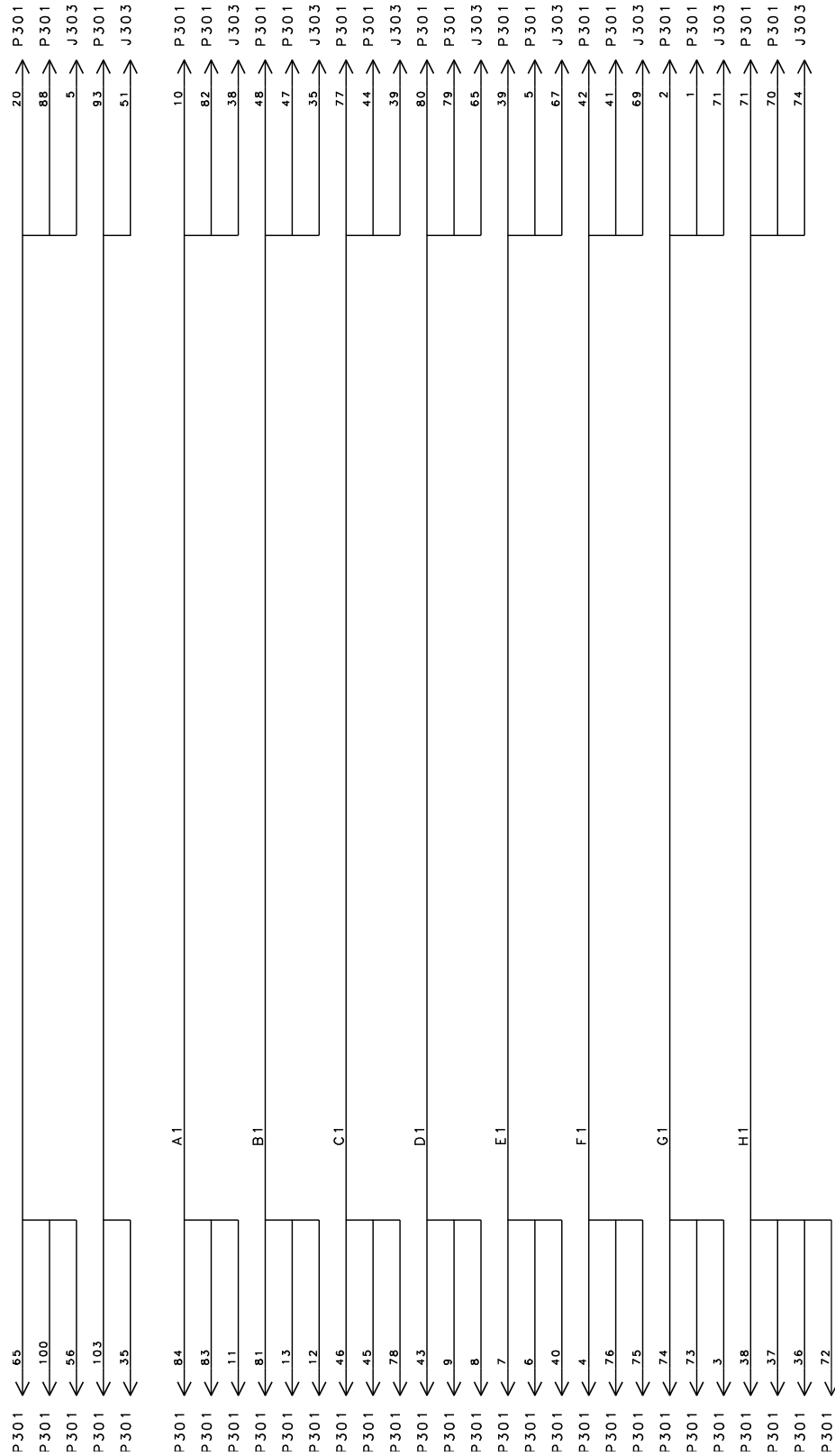
**Figure 133. Junction Box 5, DB2 Circuit Card Assembly Schematic (Sheet 2)  
 (Part Number 00514-0107-0001) 96 Pin Testpoint Connector**

**ROSEMOUNT AEROSPACE INC.  
 COMPONENT MAINTENANCE MANUAL  
 SERIES 0514K**



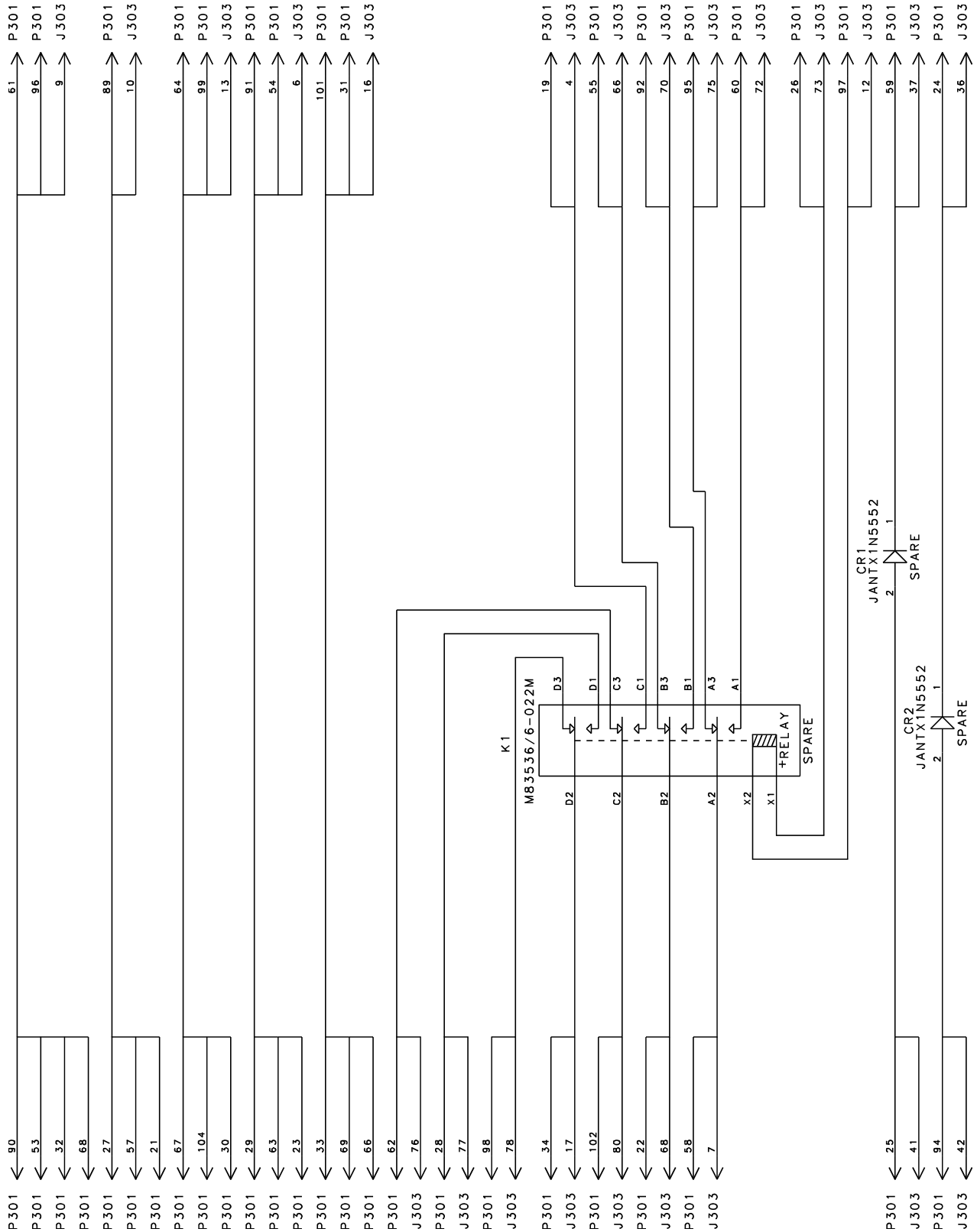
**Figure 133. Junction Box 5, DB2 Circuit Card Assembly Schematic (Sheet 3)  
 (Part Number 00514-0107-0001) 96 Pin Testpoint Connector**

**ROSEMOUNT AEROSPACE INC.  
COMPONENT MAINTENANCE MANUAL  
SERIES 0514K**



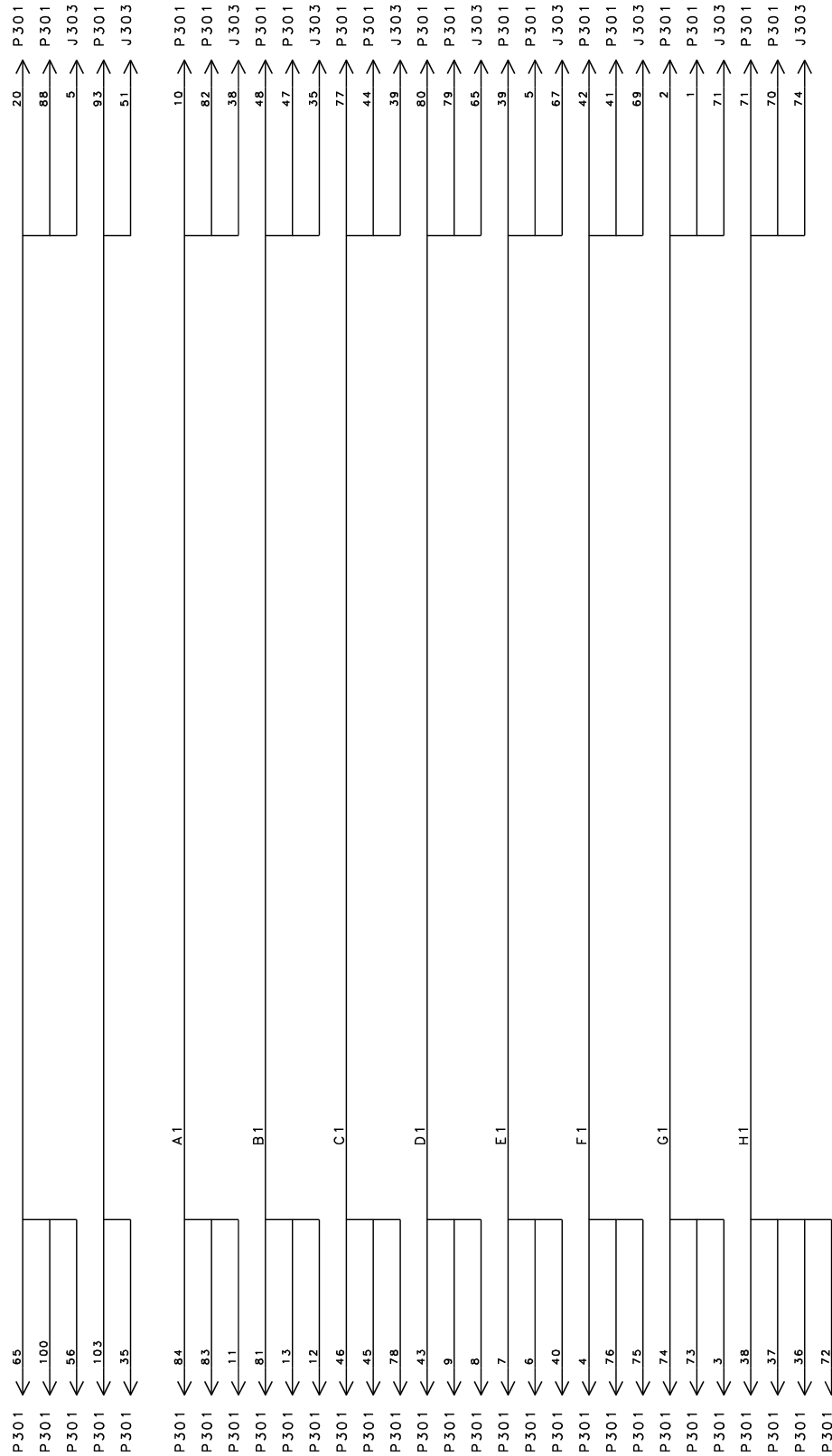
**Figure 134. Junction Box 5, DB3 Circuit Card Assembly Schematic (Sheet 1 of 3)  
(Part Number 00514-0110-0001) 96 Pin Testpoint Connector**

**ROSEMOUNT AEROSPACE INC.  
COMPONENT MAINTENANCE MANUAL  
SERIES 0514K**



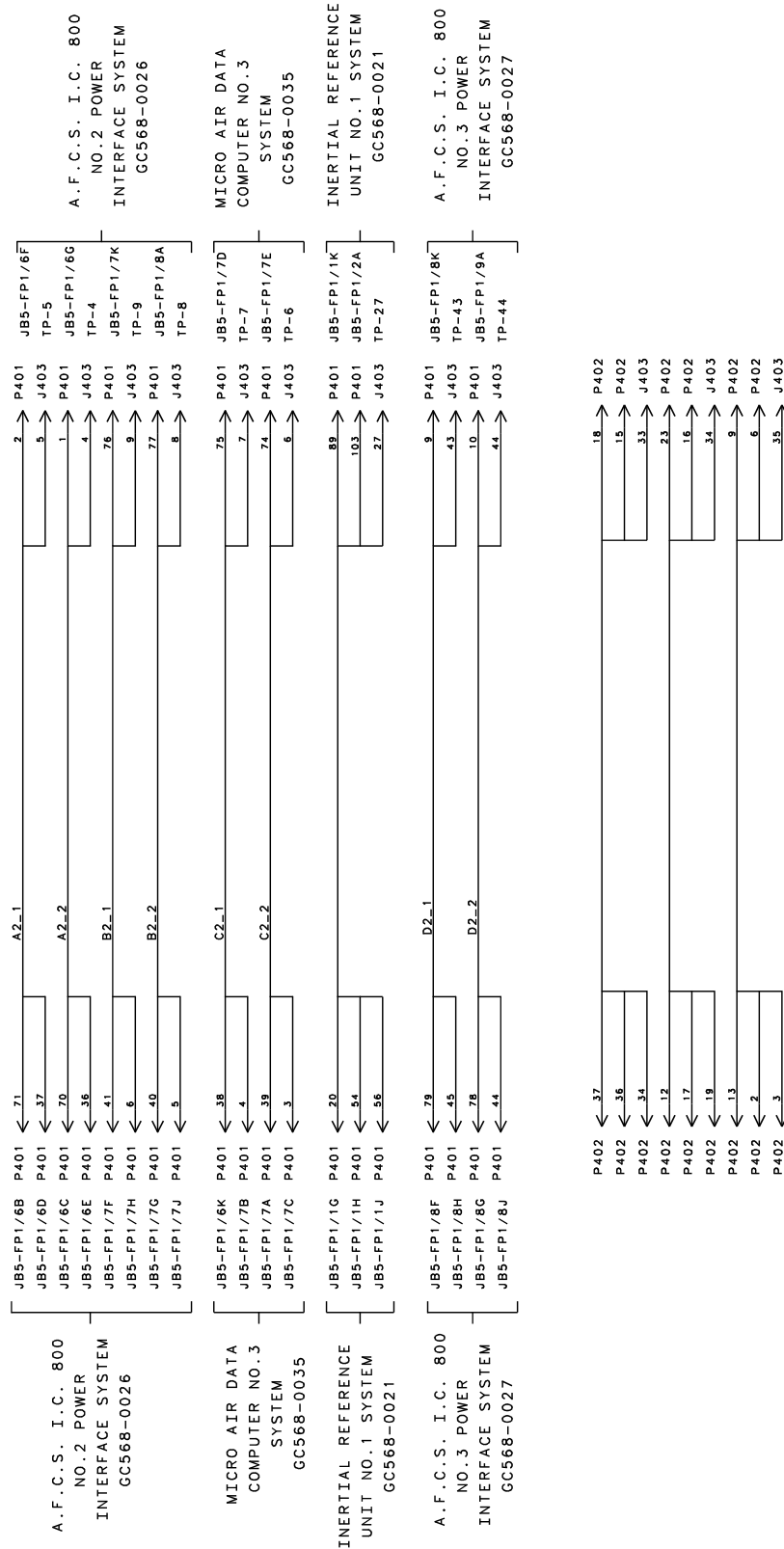
**Figure 134. Junction Box 5, DB3 Circuit Card Assembly Schematic (Sheet 2)  
(Part Number 00514-0110-0001) 96 Pin Testpoint Connector**

**ROSEMOUNT AEROSPACE INC.  
COMPONENT MAINTENANCE MANUAL  
SERIES 0514K**



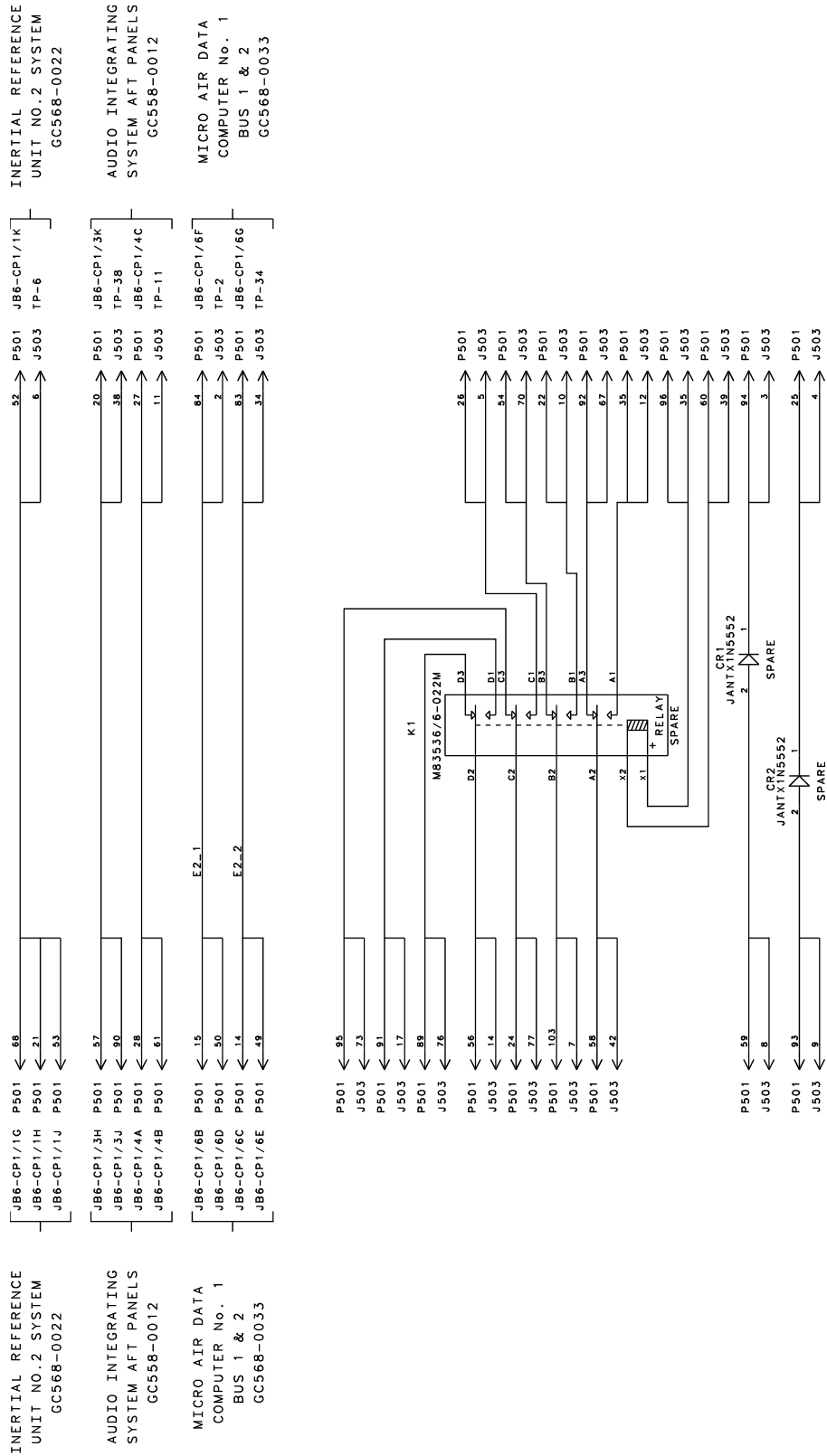
**Figure 134. Junction Box 5, DB3 Circuit Card Assembly Schematic (Sheet 3)  
(Part Number 00514-0110-0001) 96 Pin Testpoint Connector**

**ROSEMOUNT AEROSPACE INC.  
COMPONENT MAINTENANCE MANUAL  
SERIES 0514K**



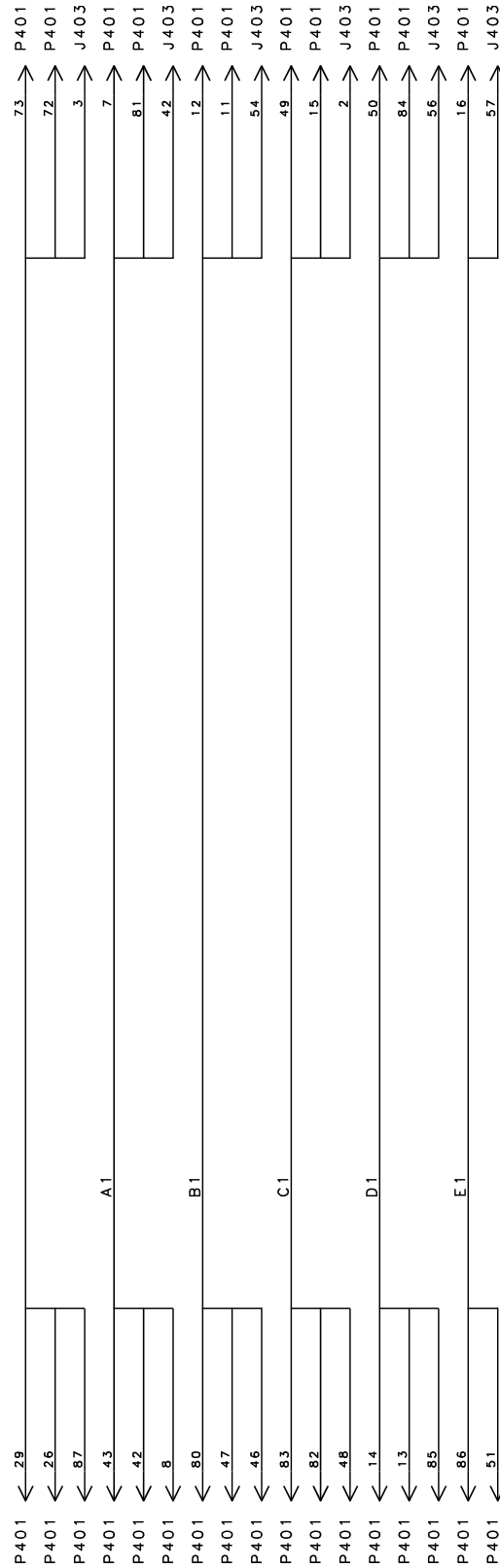
**Figure 135. Junction Box 5, DB4 Circuit Card Assembly Schematic (Sheet 1 of 3)  
(Part Number 00514-0113-0001) 96 Pin Testpoint Connector**

**ROSEMOUNT AEROSPACE INC.  
COMPONENT MAINTENANCE MANUAL  
SERIES 0514K**



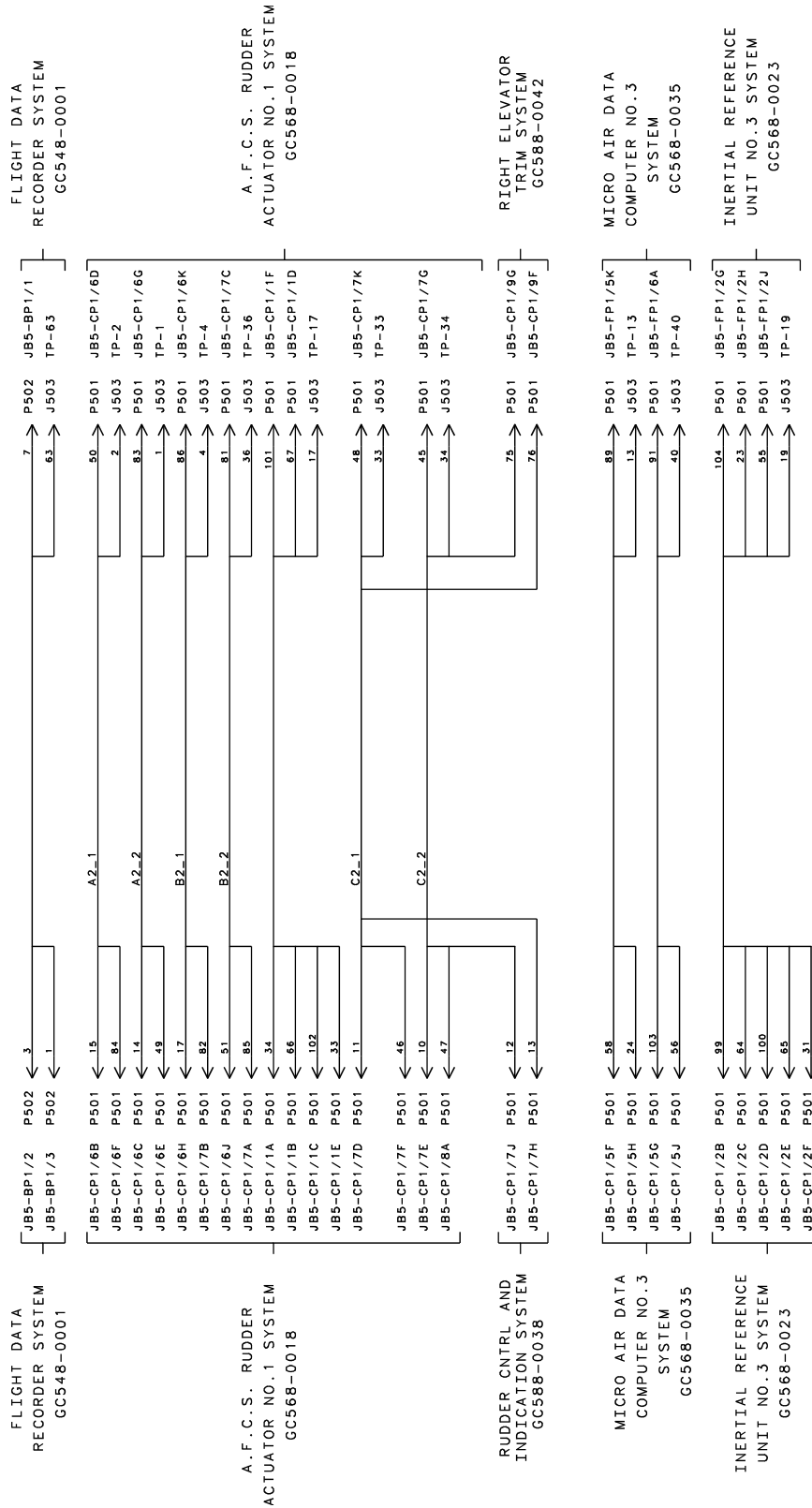
**Figure 135. Junction Box 5, DB4 Circuit Card Assembly Schematic (Sheet 2)  
(Part Number 00514-0113-0001) 96 Pin Testpoint Connector**

**ROSEMOUNT AEROSPACE INC.  
COMPONENT MAINTENANCE MANUAL  
SERIES 0514K**



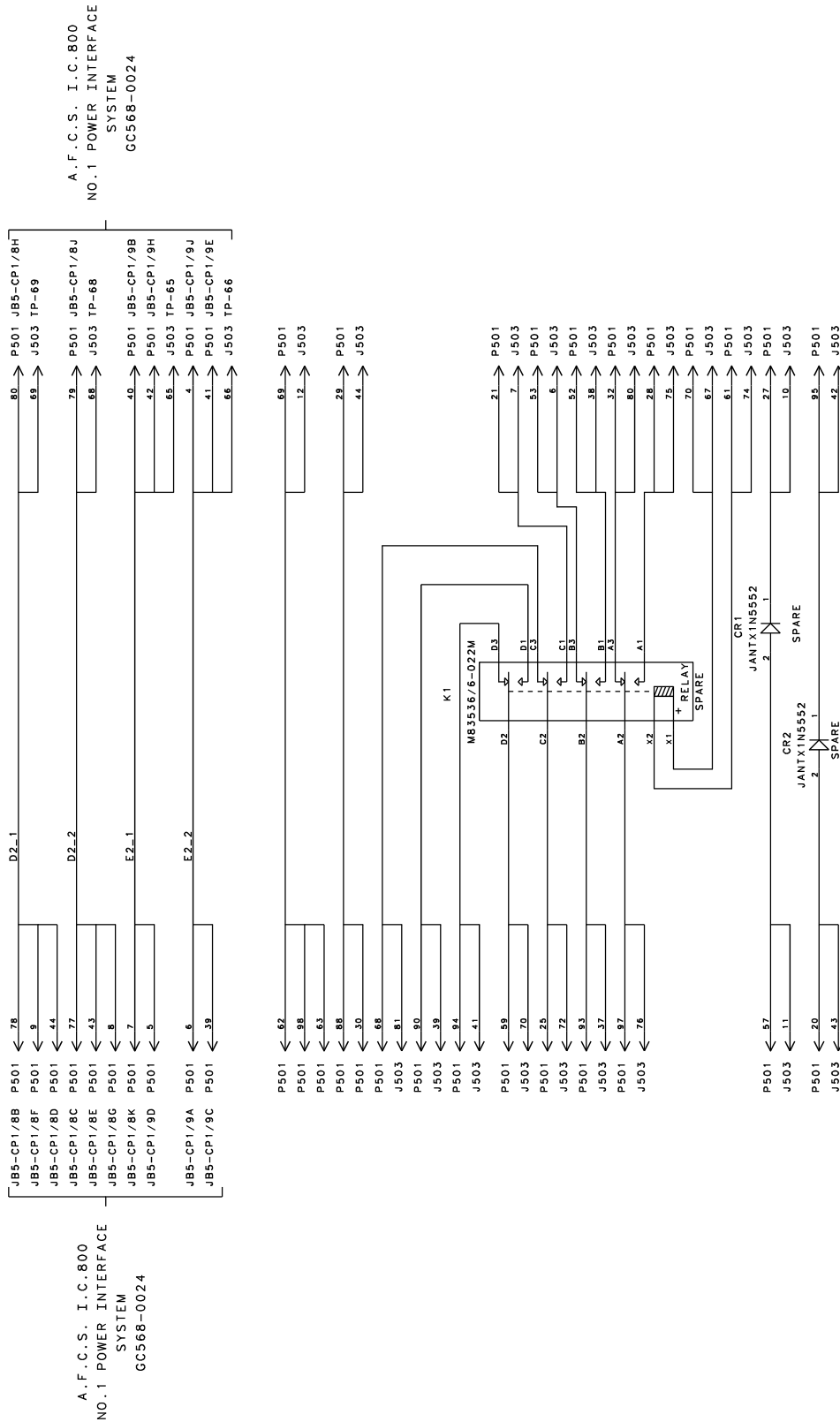
**Figure 135. Junction Box 5, DB4 Circuit Card Assembly Schematic (Sheet 3)  
(Part Number 00514-0113-0001) 96 Pin Testpoint Connector**

**ROSEMOUNT AEROSPACE INC.  
COMPONENT MAINTENANCE MANUAL  
SERIES 0514K**



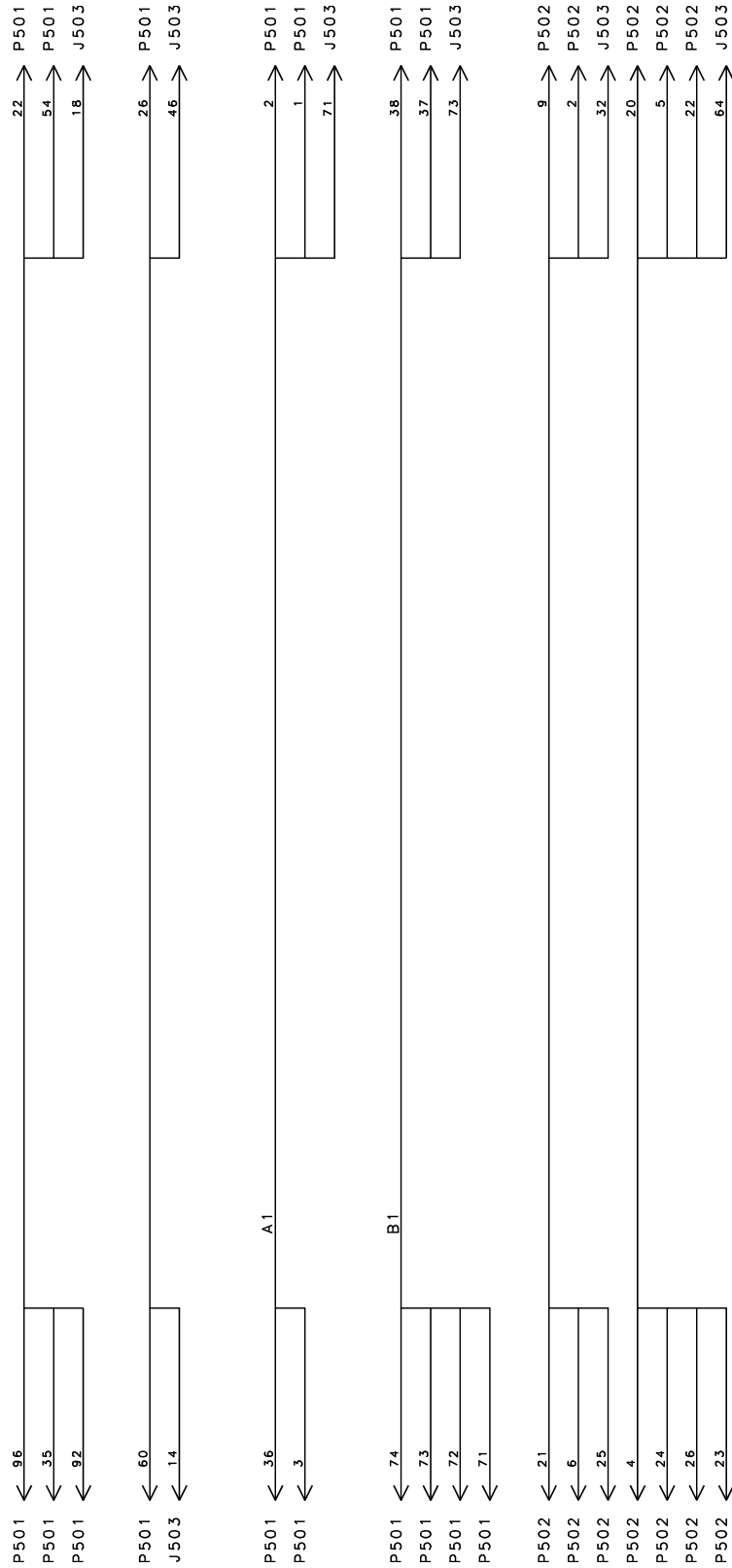
**Figure 136. Junction Box 5, DB5 Circuit Card Assembly Schematic (Sheet 1 of 3)  
(Part Number 00514-0116-0001) 96 Pin Testpoint Connector**

**ROSEMOUNT AEROSPACE INC.  
COMPONENT MAINTENANCE MANUAL  
SERIES 0514K**



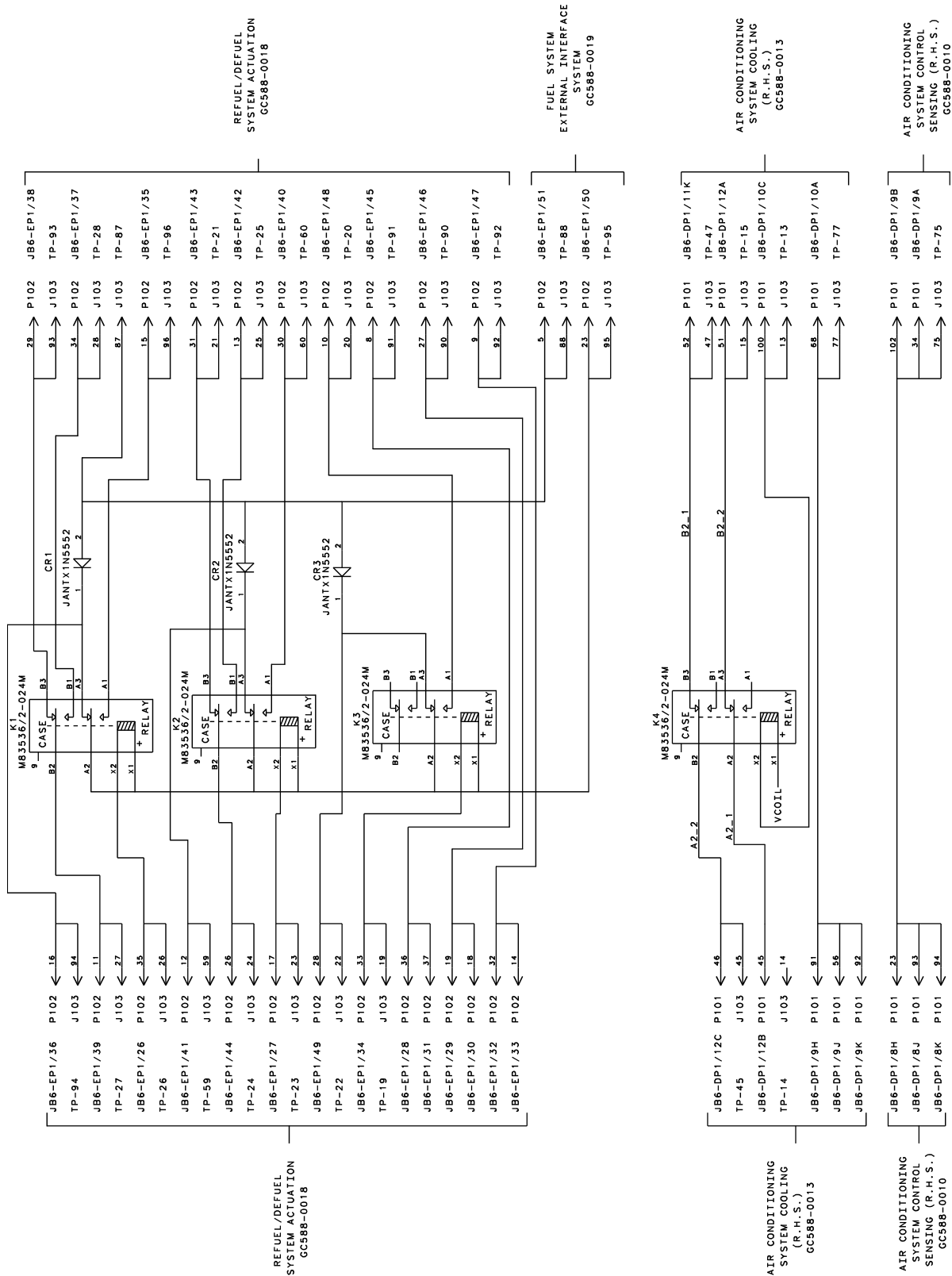
**Figure 136. Junction Box 5, DB5 Circuit Card Assembly Schematic (Sheet 2)  
(Part Number 00514-0116-0001) 96 Pin Testpoint Connector**

**ROSEMOUNT AEROSPACE INC.  
COMPONENT MAINTENANCE MANUAL  
SERIES 0514K**



**Figure 136. Junction Box 5, DB5 Circuit Card Assembly Schematic (Sheet 3)  
(Part Number 00514-0116-0001) 96 Pin Testpoint Connector**

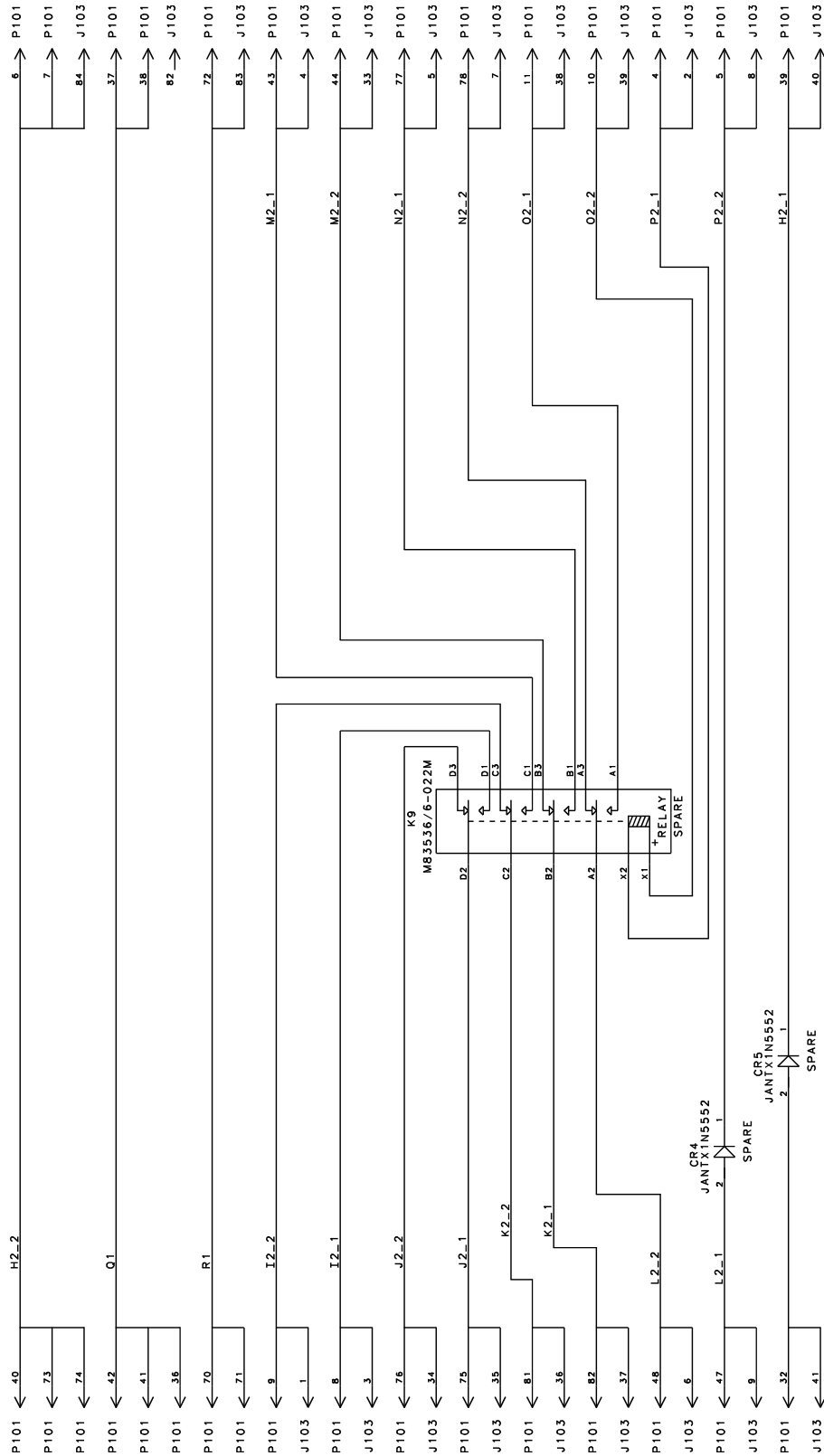
**ROSEMOUNT AEROSPACE INC.  
COMPONENT MAINTENANCE MANUAL  
SERIES 0514K**



**Figure 137. Junction Box 6, DB1 Circuit Card Assembly Schematic (Sheet 1 of 4)  
(Part Number 00514-0120-0001) 96 Pin Testpoint Connector**

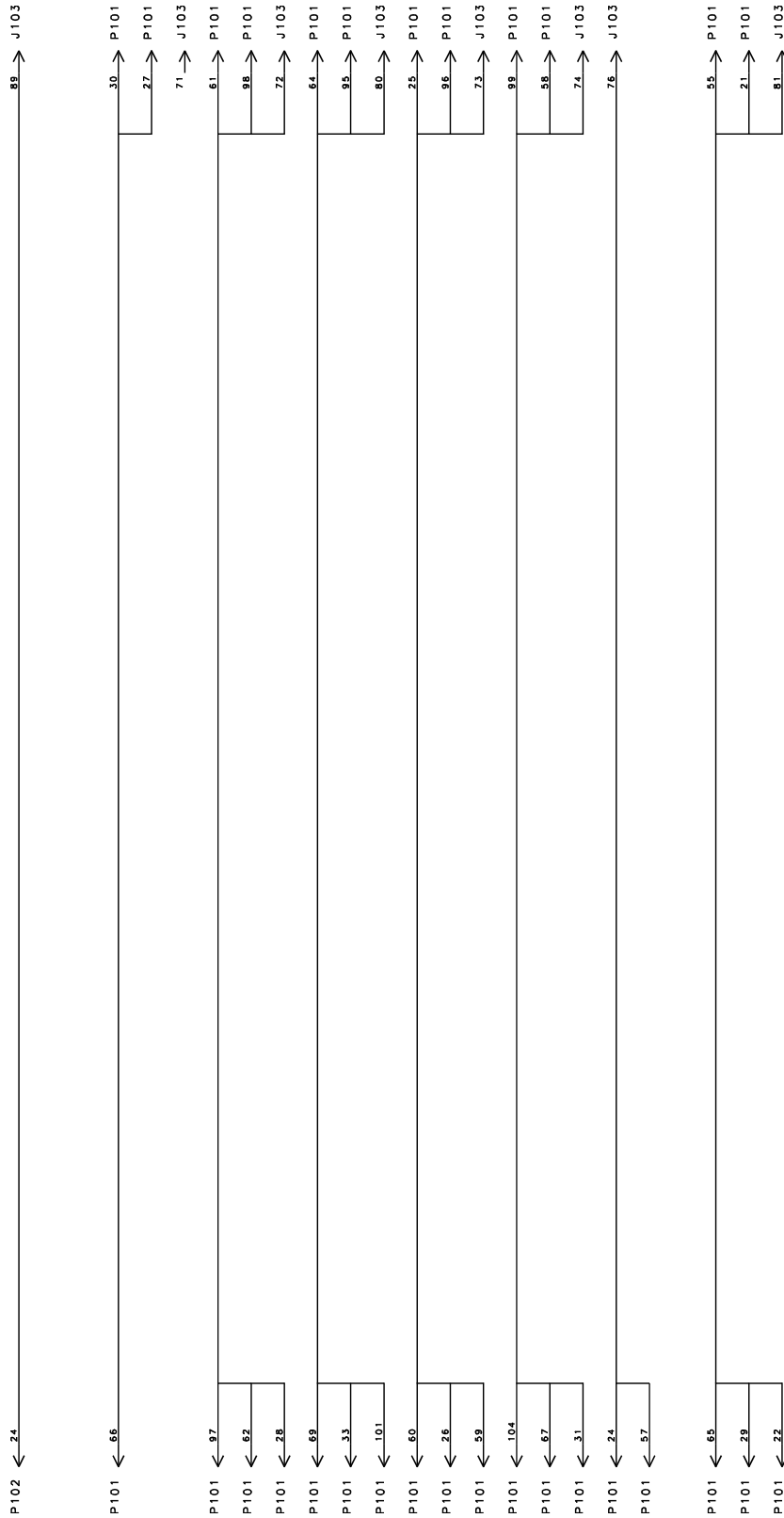


**ROSEMOUNT AEROSPACE INC.  
COMPONENT MAINTENANCE MANUAL  
SERIES 0514K**



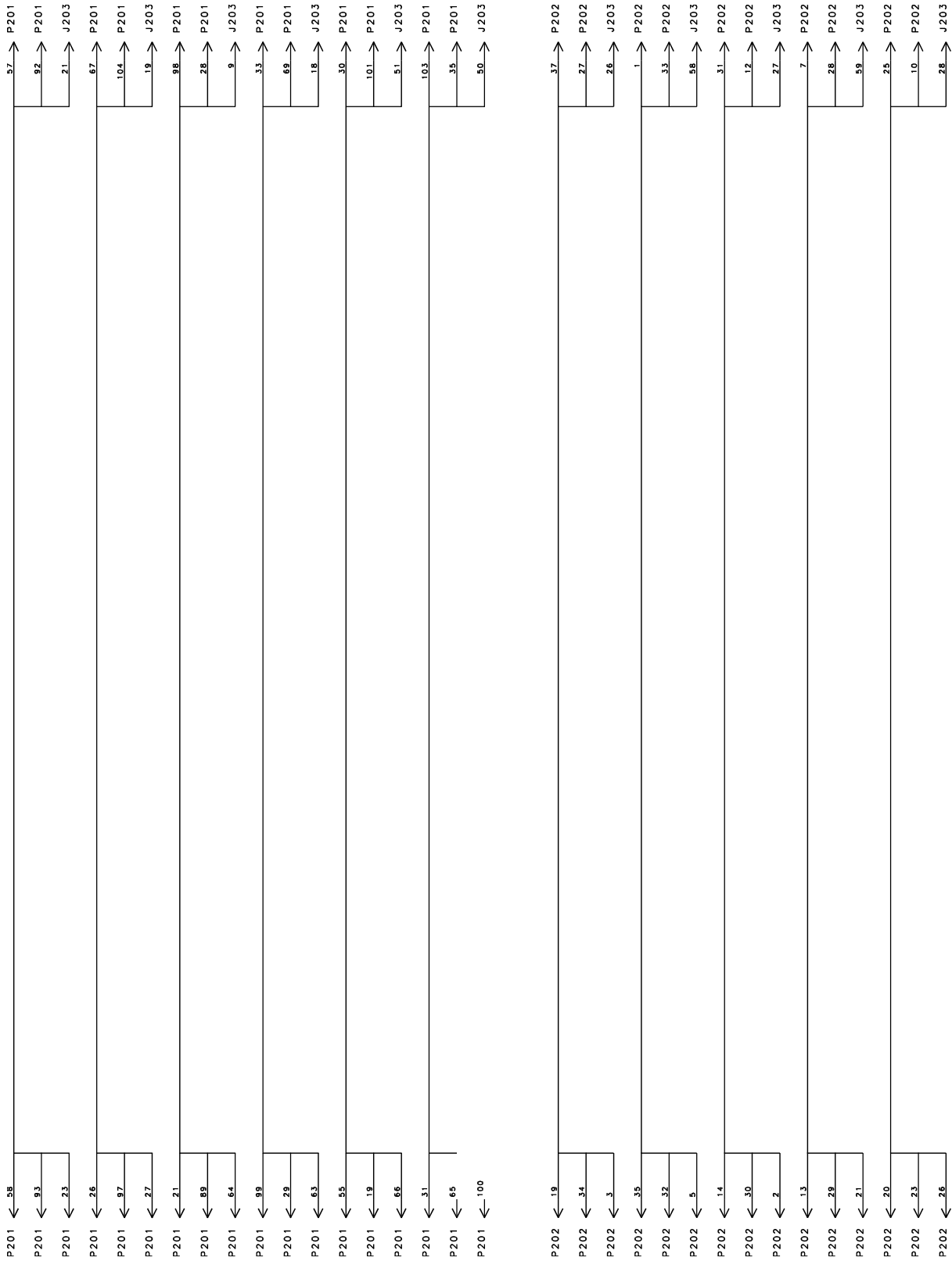
**Figure 137. Junction Box 6, DB1 Circuit Card Assembly Schematic (Sheet 3)  
(Part Number 00514-0120-0001) 96 Pin Testpoint Connector**

**ROSEMOUNT AEROSPACE INC.  
COMPONENT MAINTENANCE MANUAL  
SERIES 0514K**



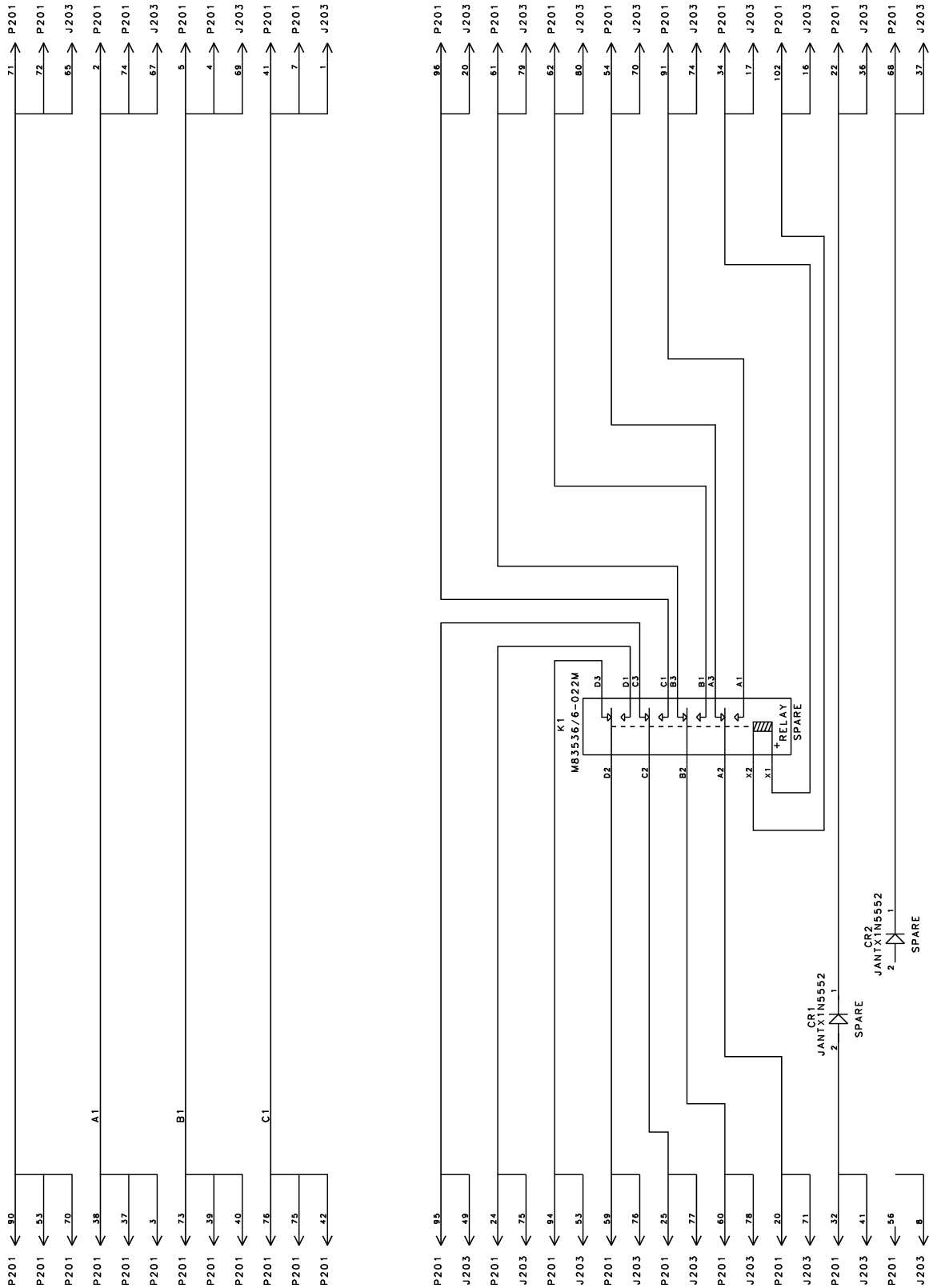
**Figure 137. Junction Box 6, DB1 Circuit Card Assembly Schematic (Sheet 4)  
(Part Number 00514-0120-0001) 96 Pin Testpoint Connector**

**ROSEMOUNT AEROSPACE INC.  
COMPONENT MAINTENANCE MANUAL  
SERIES 0514K**



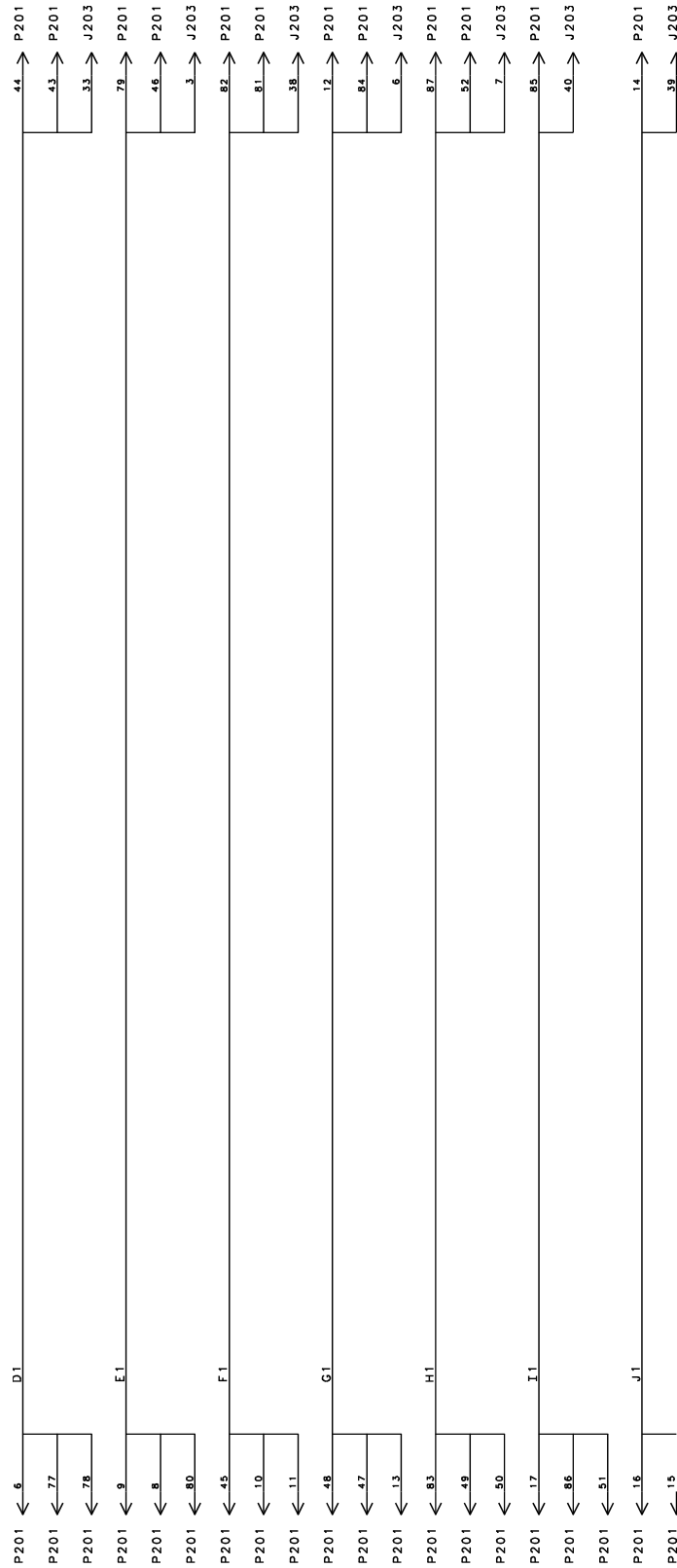
**Figure 138. Junction Box 6, DB2 Circuit Card Assembly Schematic (Sheet 1 of 3)  
(Part Number 00514-0123-0001) 96 Pin Testpoint Connector**

**ROSEMOUNT AEROSPACE INC.  
COMPONENT MAINTENANCE MANUAL  
SERIES 0514K**



**Figure 138. Junction Box 6, DB2 Circuit Card Assembly Schematic (Sheet 2)  
(Part Number 00514-0123-0001) 96 Pin Testpoint Connector**

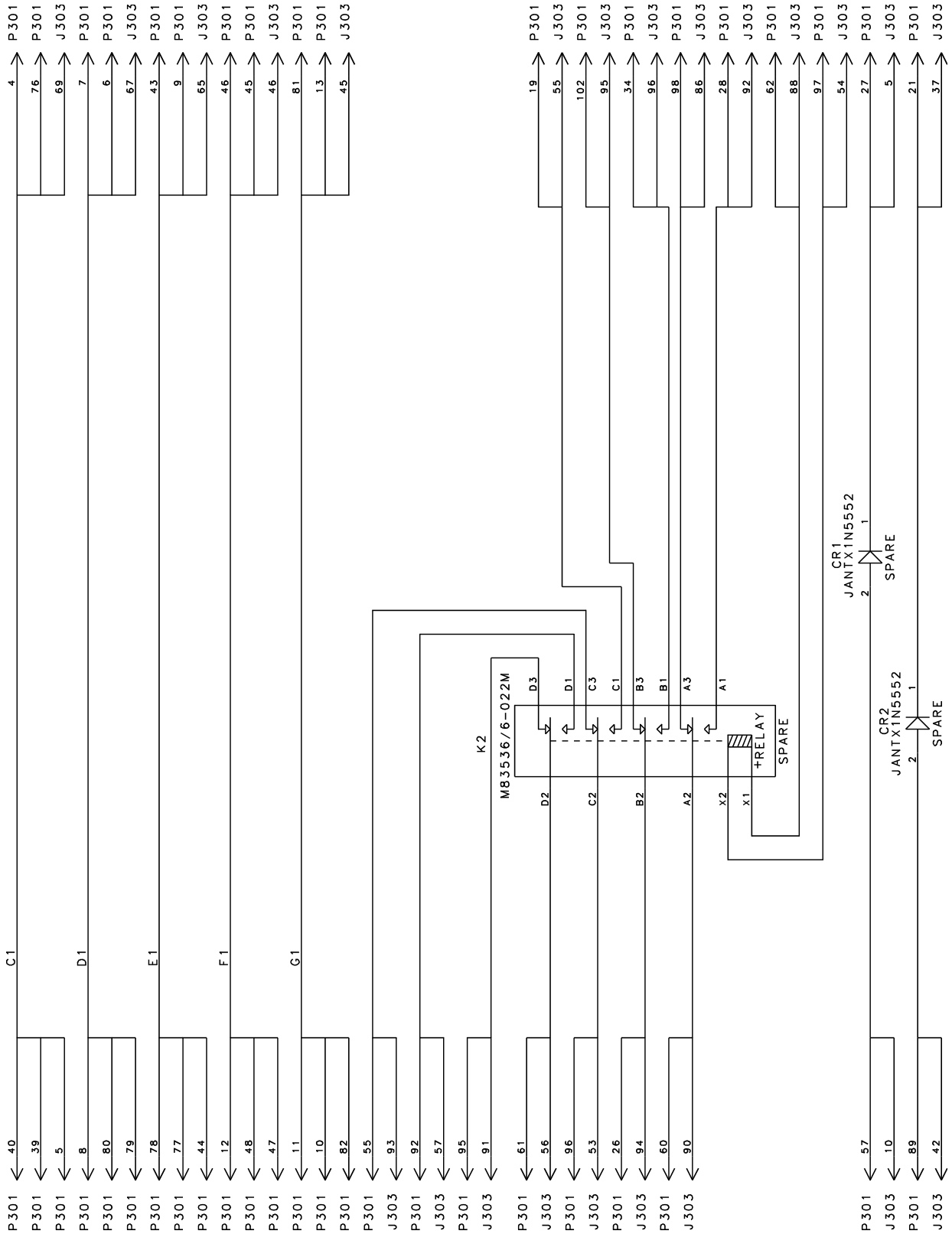
**ROSEMOUNT AEROSPACE INC.  
COMPONENT MAINTENANCE MANUAL  
SERIES 0514K**



**Figure 138. Junction Box 6, DB2 Circuit Card Assembly Schematic (Sheet 3)  
(Part Number 00514-0123-0001) 96 Pin Testpoint Connector**



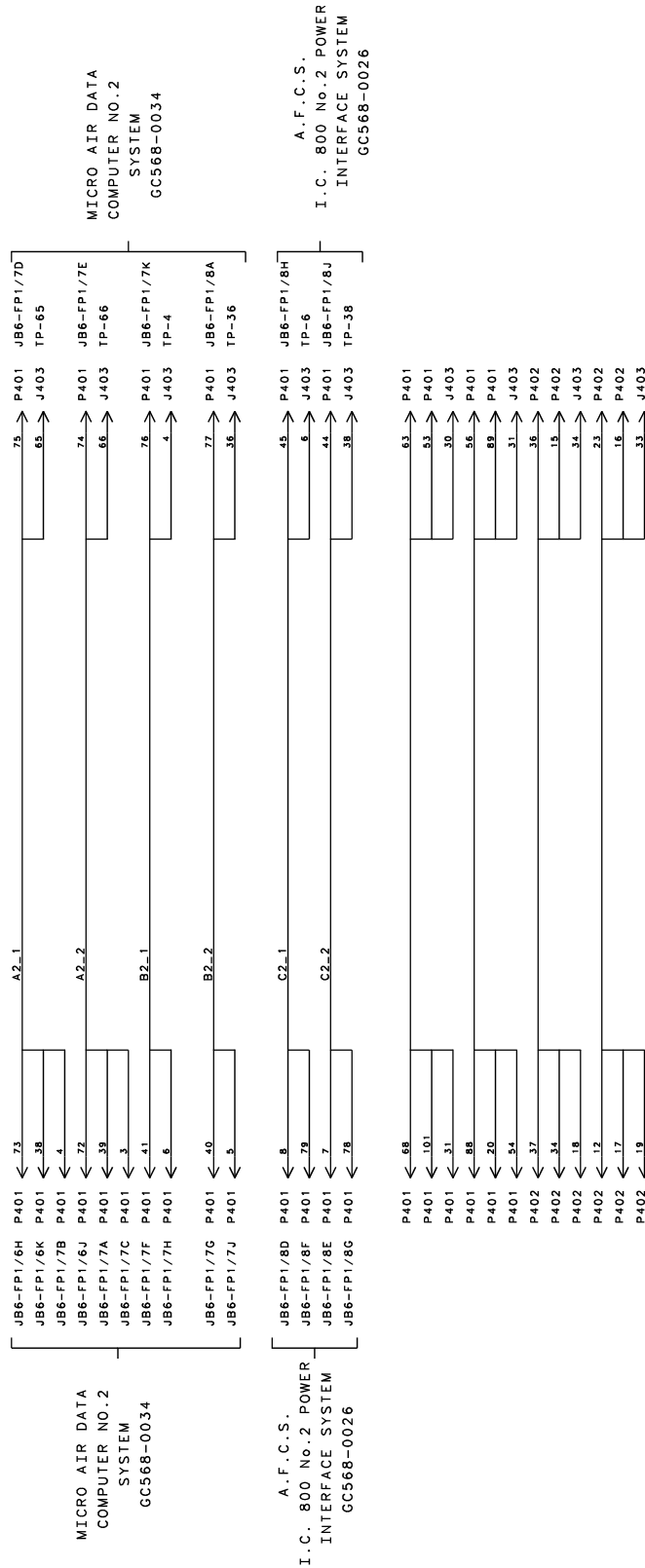
**ROSEMOUNT AEROSPACE INC.  
COMPONENT MAINTENANCE MANUAL  
SERIES 0514K**



**Figure 139. Junction Box 6, DB3 Circuit Card Assembly Schematic (Sheet 2)  
(Part Number 00514-0126-0001) 96 Pin Testpoint Connector**



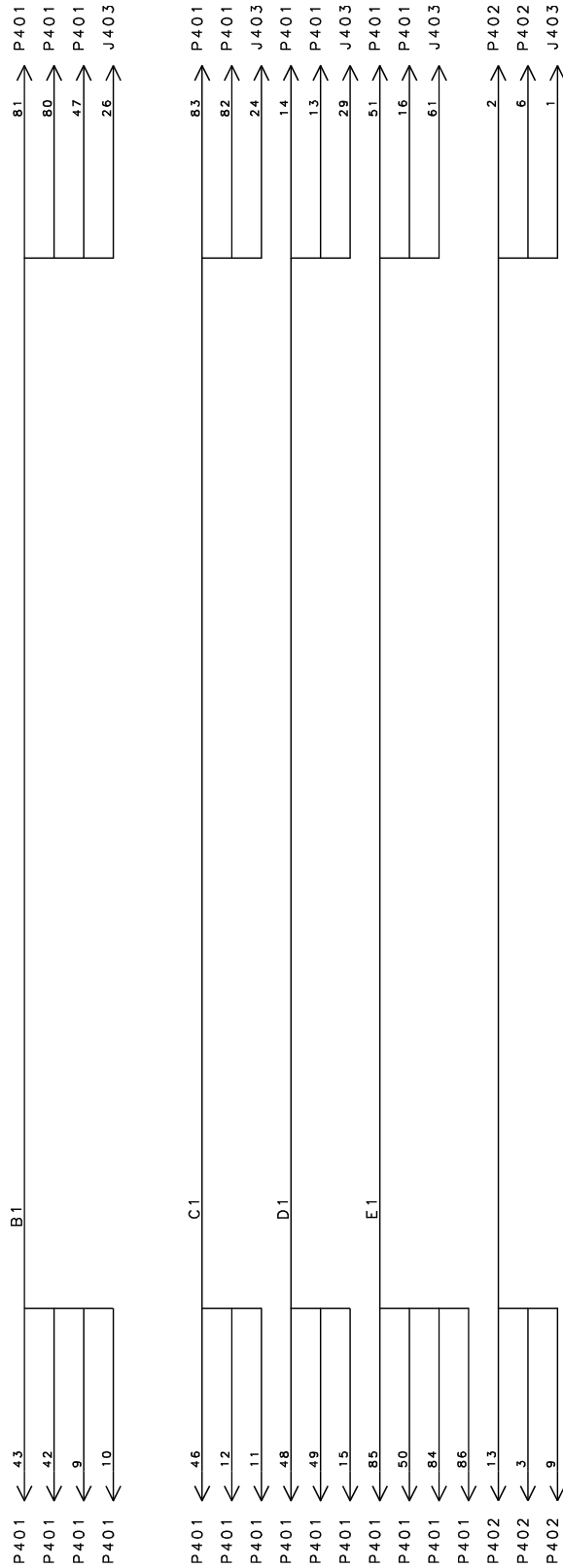
**ROSEMOUNT AEROSPACE INC.  
COMPONENT MAINTENANCE MANUAL  
SERIES 0514K**



**Figure 140. Junction Box 6, DB4 Circuit Card Assembly Schematic (Sheet 1 of 3)  
(Part Number 00514-0129-0001) 96 Pin Testpoint Connector**

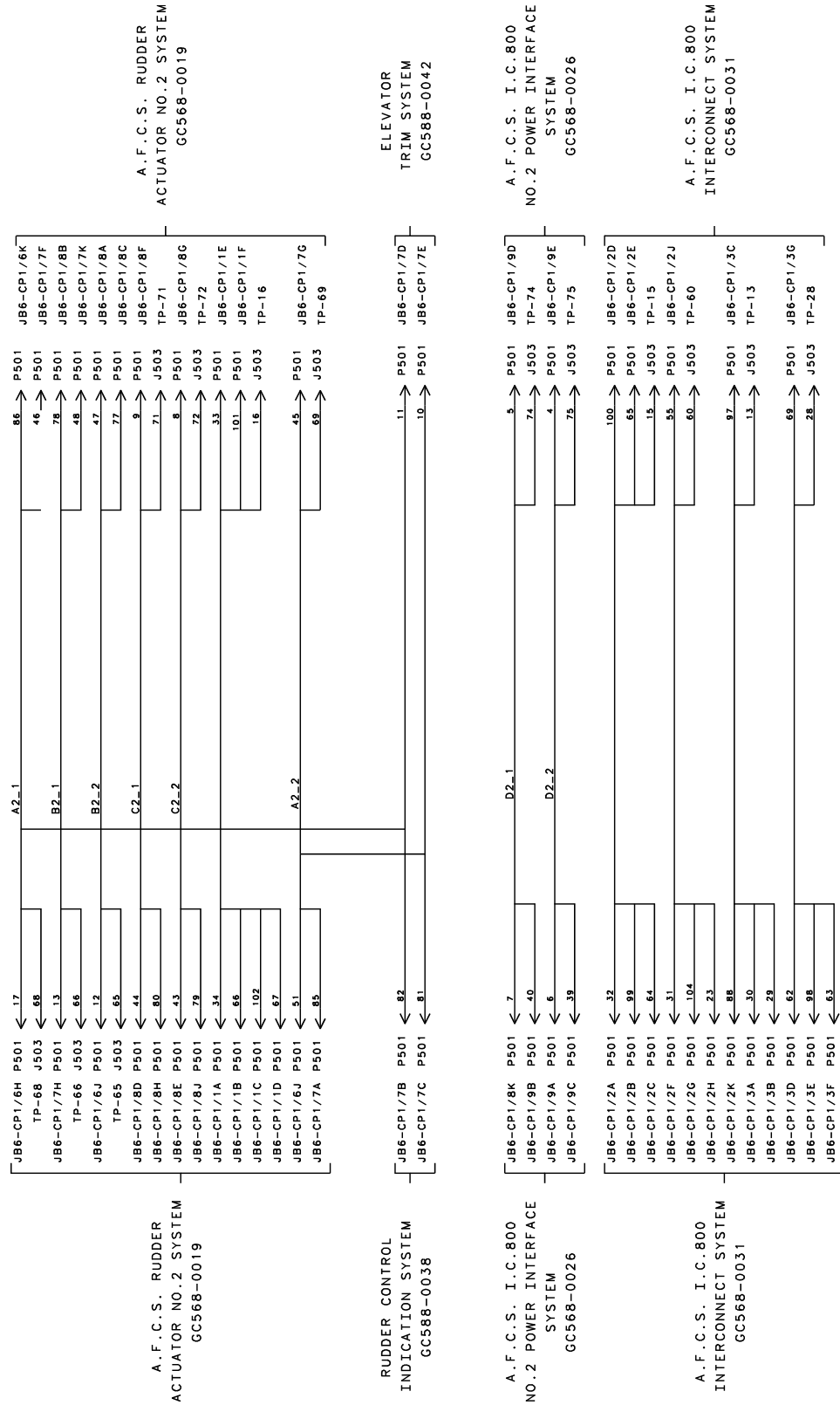


**ROSEMOUNT AEROSPACE INC.  
COMPONENT MAINTENANCE MANUAL  
SERIES 0514K**



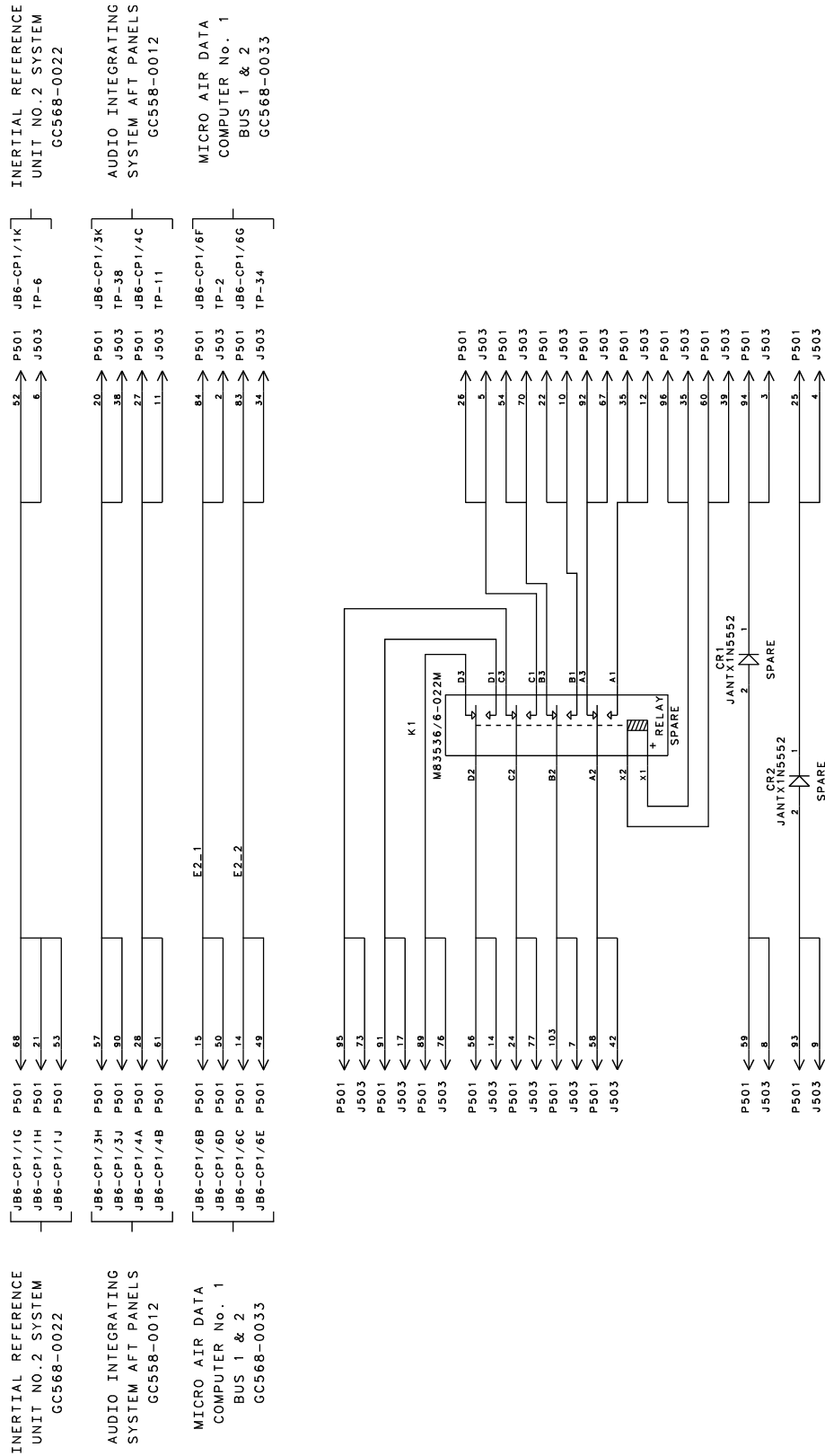
**Figure 140. Junction Box 6, DB4 Circuit Card Assembly Schematic (Sheet 3)  
(Part Number 00514-0129-0001) 96 Pin Testpoint Connector**

**ROSEMOUNT AEROSPACE INC.  
COMPONENT MAINTENANCE MANUAL  
SERIES 0514K**



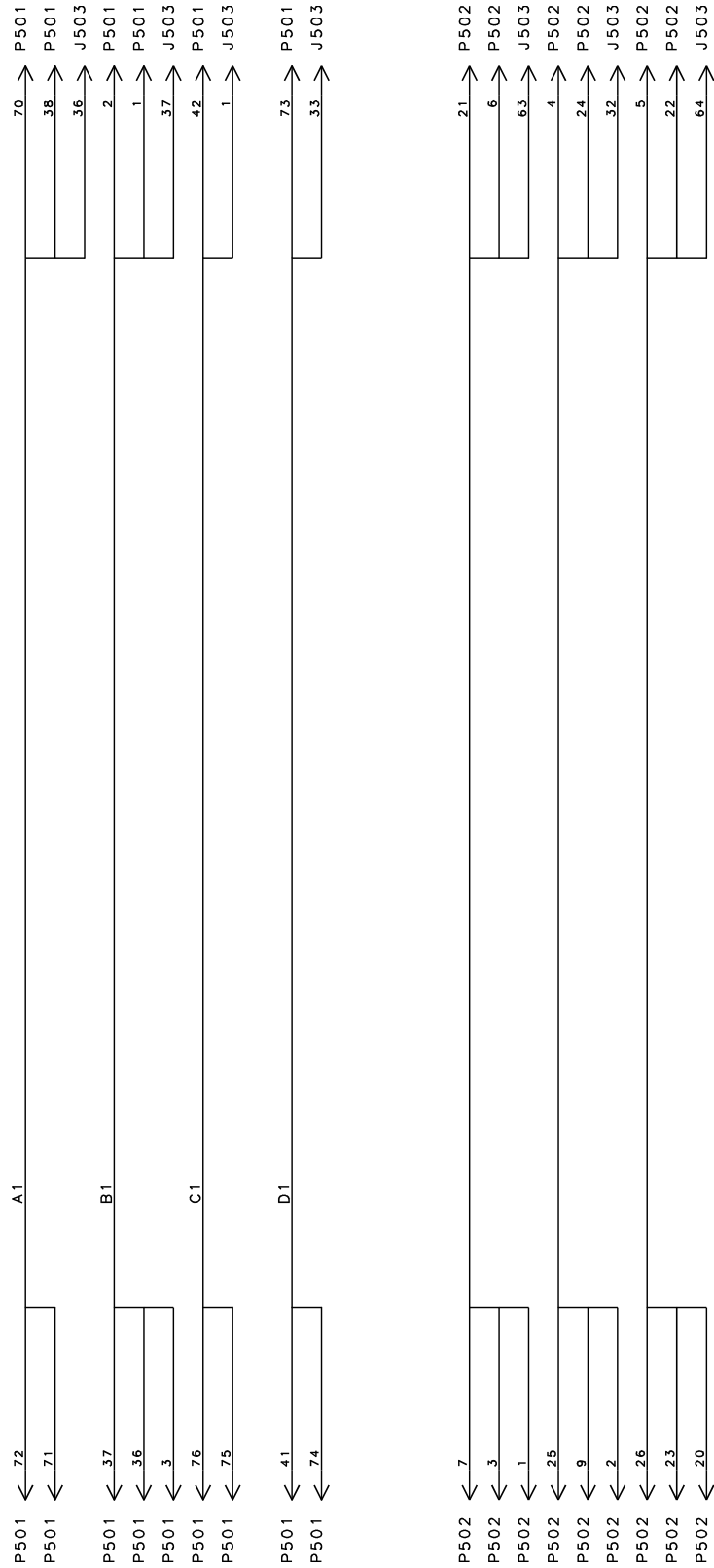
**Figure 141. Junction Box 6, DB5 Circuit Card Assembly Schematic (Sheet 1 of 3)  
(Part Number 00514-0132-0001) 96 Pin Testpoint Connector**

**ROSEMOUNT AEROSPACE INC.  
COMPONENT MAINTENANCE MANUAL  
SERIES 0514K**



**Figure 141. Junction Box 6, DB5 Circuit Card Assembly Schematic (Sheet 2)  
(Part Number 00514-0132-0001) 96 Pin Testpoint Connector**

**ROSEMOUNT AEROSPACE INC.  
COMPONENT MAINTENANCE MANUAL  
SERIES 0514K**



**Figure 141. Junction Box 6, DB5 Circuit Card Assembly Schematic (Sheet 3)  
(Part Number 00514-0132-0001) 96 Pin Testpoint Connector**

**ROSEMOUNT AEROSPACE INC.  
COMPONENT MAINTENANCE MANUAL  
SERIES 0514K**

**DISASSEMBLY**

**1. General Information**

See IPL Figure 1, for exploded view.

See Testing and Fault Isolation to establish the condition of the Series 0514K Electronic Junction Box or probable cause of the malfunction to determine the extent of disassembly required. The procedures in this chapter are in disassembly order. Remove only those parts necessary to accomplish the repair or replacement action.

**2. Removal of Front Cover**

- A. Loosen six captive screws (IPL Figure 1-10) on front cover (5).
- B. Remove front cover (5).

**3. Removal of Circuit Card Assemblies**

- A. Operate card extractor levers to loosen applicable circuit card assembly (IPL Figure 1-40, 45, 50, 55, 60) from junction box.
- B. Remove applicable circuit card assembly (40, 45, 50, 55, 60) from junction box.

**4. Removal of Junction Box Housing**

- A. Remove four flathead screws (IPL Figure 1-90) holding mounting bracket (85) on left side of junction box housing (65).
- B. Remove four flathead screws (90) holding mounting bracket (85) on right side of junction box housing (65).
- C. Remove two flathead screws (70) from top-front of junction box housing (65).
- D. Remove two flathead screws (70) from bottom-front of junction box housing (65).
- E. Remove eight flathead screws (75) and flat washers (80) from rear of junction box housing (65).
- F. Slide junction box chassis (95) out of junction box housing (65).

**5. Removal of Flex Circuit Card Assembly**

- A. Remove three flathead screws (IPL Figure 1-105) from top of junction box chassis (95), holding flex circuit card assembly (100).
- B. Remove three flathead screws (105) from bottom of junction box chassis (95), holding flex circuit card assembly (100).
- C. Remove two panhead screws (110) and flat washers (115) from rear of junction box chassis (95), holding flex circuit card assembly (100).
- D. Loosen and slide flex circuit card assembly (100) out of junction box chassis (95).

**ROSEMOUNT AEROSPACE INC.  
COMPONENT MAINTENANCE MANUAL  
SERIES 0514K**

**6. Removal of Circuit Card Assembly Relay**

- A. Remove two nuts from relay hold-down tabs.
- B. Remove relay from circuit card assembly.

ROSEMOUNT AEROSPACE INC.  
COMPONENT MAINTENANCE MANUAL  
SERIES 0514K

CLEANING

1. **Exposed Surfaces of Electronic Junction Box**

- A. Clean the exposed surfaces of the Electronic Junction Box by washing with water and mild detergent. Wipe with a dry, lint-free soft cloth.

CAUTION: DO NOT SAND, SCRAPE, OR SCRUB EXPOSED SURFACES WITH ABRASIVE COMPOUNDS.

CAUTION: DO NOT USE CHLORINATED HYDROCARBON OR FLUOROCARBON SOLVENTS BECAUSE OF POSSIBLE MATERIAL INCOMPATIBILITY.

- B. Prior to assembly, remove dust and any foreign material from the unit by wiping with a soft, dry cloth or by brushing with a soft-bristled, dry brush.



ROSEMOUNT AEROSPACE INC.  
COMPONENT MAINTENANCE MANUAL  
SERIES 0514K

CHECK

1. **Check Requirements**

A. Visual Checks

This section gives the visual procedures used to examine the Electronic Junction Box to determine the physical condition of the unit.

- 1) Examine the external surfaces of the junction box for damage, especially for wear, cracks, dents or scores.
- 2) Examine the electrical receptacles for damage to the pins and condition of the receptacle threads.



**ROSEMOUNT AEROSPACE INC.  
COMPONENT MAINTENANCE MANUAL  
SERIES 0514K**

**ASSEMBLY**

**1. General Information**

The item numbers given in this chapter are shown in the Illustrated Parts List.

The procedures in this chapter are in assembly order. Assemble only those parts necessary to accomplish the repair or replacement action of the Electronic Junction Box.

**2. Installation of Flex Circuit Card Assembly**

- A. Insert new flex circuit card assembly (IPL Figure 1-100) in junction box chassis (95).
- B. Secure flex circuit card assembly (100) to rear of junction box chassis (95) with two flathead screws (110) and flat washers (115).
- C. Secure flex circuit card assembly (100) to bottom of junction box chassis (95) with three flathead screws (105).
- D. Secure flex circuit card assembly (100) to top of junction box chassis (95) with three flathead screws (105).

**3. Installation of Junction Box Housing**

- A. Insert junction box chassis (IPL Figure 1-95) into junction box housing (65).
- B. Secure junction box chassis (95) to rear of junction box housing (65) with eight panhead screws (75) and flat washers (80).
- C. Secure junction box chassis (95) to bottom-front of junction box housing (65) with two flathead screws (70).
- D. Secure junction box chassis (95) to top-front of junction box housing (65) with two flathead screws (70).
- E. Secure mounting bracket (85) to right side of junction box housing (65) with four flathead screws (90).
- F. Secure mounting bracket (85) to left side of junction box housing (65) with four flathead screws (90).

**4. Installation of Circuit Card Assemblies**

NOTE: Note orientation of card guides. Top card guides correspond with bottom card guides.

- A. Insert circuit card assembly (IPL Figure 1-40, 45, 50, 55, 60) into card slot.
- B. Engage circuit card assembly lever to seat card.

**5. Installation of Front Cover**

- A. Place front cover (IPL Figure 1-5) on junction box housing (65).
- B. Secure front cover (5) to junction box housing (65) with six captive screws (10).

**ROSEMOUNT AEROSPACE INC.  
COMPONENT MAINTENANCE MANUAL  
SERIES 0514K**

**6. Replacement of Circuit Card Assembly Relays**

- A. Replace relay on circuit card assembly.
- B. Replace two nuts on relay hold-down tabs.

**ROSEMOUNT AEROSPACE INC.  
COMPONENT MAINTENANCE MANUAL  
SERIES 0514K**

**ILLUSTRATED PARTS LIST**

**1. Introduction**

A. Purpose.

The Illustrated Parts List (IPL) gives a list of the component parts of the Series 0514K Electronic Junction Box which can be disassembled, repaired or replaced and reassembled.

B. Illustrated Parts List.

(1) Figure and Item Number Column.

The item numbers shown in the detailed parts list correspond to the item numbers appearing on the exploded view illustration. To find an unknown part number, locate the part on the illustration and note the item number. Look for the item number on the detailed parts list. The part number is on the same line. A dash (-) precedes non-illustrated item numbers.

(2) Part Number Column.

When a supplier's part number is listed in the part number column, a manufacturer's code is shown in the nomenclature column. The supplier's specification control drawing is listed (after the nomenclature) for all suppliers items covered by these drawings. There is no code listing for government standard parts (MS, NAS, etc.)

(3) Nomenclature Column.

This column lists the titles and modifiers of a part by characteristics where applicable.

C. Effectivity Code.

An effectivity code shows the difference in parts in various configurations. This is used to cover more than one configuration of the basic part number. IPL Table 1 shows the figures and effectivity codes corresponding to each modification.

D. Units Per Assembly Column.

The numbers appearing in the units per assembly column are the total quantity of the listed part required in its immediate assembly. When no quantity is listed, one of the following abbreviations will appear in the units column:

|                  |                    |
|------------------|--------------------|
| AR = As required | NP = Nonprocurable |
| ALT = Alternate  | RF = Reference     |

E. Attaching Parts Column.

Listing immediately beneath the item they attach to are the attaching parts for that assembly or subassembly. They precede any detailed parts of that item. Generally, only those parts that are frequently removed are listed. The symbol -----\*----- shows the end of attaching parts and continuation of the assembly listing.

**ROSEMOUNT AEROSPACE INC.  
COMPONENT MAINTENANCE MANUAL  
SERIES 0514K**

F. Manufacturer's Code.

Listed in the nomenclature column (when applicable) is the supplier's approved code number. This number identifies the manufacturer or supplier of a purchased part.

|        |   |        |  |
|--------|---|--------|--|
| V00779 | AMP Inc.<br>P.O. Box 3608<br>Harrisburg, PA 17105         | V3N087 | Mill-Max Mfg. Corp.<br>190 Pine Hollow Road<br>Oyster Bay, NY 11771          |
| V06540 | Amatom Corp.<br>446 Blake Street<br>New Haven, CT 06515   | V52094 | Calmark Corp.<br>4915 Walnut Grove Ave.<br>San Gabriel, CA 91776             |
| V08718 | ITT Cannon<br>2801 Air Lane<br>Phoenix, AZ 85034          | V58657 | Leach Corp.<br>6900 Orangethorpe Ave.<br>Bunea Park, CA 90622                |
| V10400 | Airborn Inc.<br>4321 Airborn Drive<br>Addison, TX 75001   | V58794 | Fastener Technology Corp.<br>7415 Fulton Avenue<br>North Hollywood, CA 91605 |
| V19738 | Avdel Corp.<br>50 Lackawanna Ave.<br>Parsippany, NJ 07054 |        |  |

**ROSEMOUNT AEROSPACE INC.  
COMPONENT MAINTENANCE MANUAL  
SERIES 0514K**

**IPL Table 1. Equipment Modifications**

| Model Number | Description of Modification  | Corresponding Effectivity Code |
|--------------|--|--------------------------------|
| 0514K1 MOD A | Original junction box  | A                              |
| 0514K1 MOD B | Replaced 96 pin connector with 93 pin connector.   | A                              |
| 0514K1 MOD C | 00514-0055-0003 and 00514-0061-0003 CCAs have time delay relays installed.   | A                              |
| 0514K1 MOD D | Standard configuration of junction box includes 93 pin CCA and 96 pin CCA and a combination of both. The daughter board dash numbers were also changed to be consistent with the numbers used by Bombardier. | A                              |
| 0514K2 MOD A | Original junction box  | B                              |
| 0514K2 MOD B | Replaced 96 pin connector with 93 pin connector.   | B                              |
| 0514K2 MOD C | 00514-0092-0003 and 00514-0098-0003 CCAs have time delay relays installed.   | B                              |
| 0514K2 MOD D | Standard configuration of junction box includes 93 pin CCA and 96 pin CCA and a combination of both. The daughter board dash numbers were also changed to be consistent with the numbers used by Bombardier. | B                              |
| 0514K3 MOD A | Original junction box  | C                              |
| 0514K3 MOD B | Redesigned trace, 96 pin connector.  | C                              |
| 0514K3 MOD C | Redesigned trace, 96 pin connector.  | C                              |
| 0514K3 MOD D | Replaced 96 pin connector with 93 pin connector.   | C                              |
| 0514K3 MOD E | Standard configuration of junction box includes 93 pin CCA and 96 pin CCA and a combination of both. The daughter board dash numbers were also changed to be consistent with the numbers used by Bombardier. | C                              |
| 0514K4 MOD A | Original junction box  | D                              |
| 0514K4 MOD B | Redesigned trace, 96 pin connector.  | D                              |
| 0514K4 MOD C | Redesigned trace, 96 pin connector.  | D                              |
| 0514K4 MOD D | Replaced 96 pin connector with 93 pin connector.   | D                              |
| 0514K4 MOD E | Standard configuration of junction box includes 93 pin CCA and 96 pin CCA and a combination of both. The daughter board dash numbers were also changed to be consistent with the numbers used by Bombardier. | D                              |

**ROSEMOUNT AEROSPACE INC.  
COMPONENT MAINTENANCE MANUAL  
SERIES 0514K**

**IPL Table 2. Numerical Index**

| <b>Part Number</b> | <b>Airline Stock Number</b> | <b>Fig.</b> | <b>Item</b> | <b>Quantity</b> |
|--------------------|-----------------------------|-------------|-------------|-----------------|
| DCM37PD            |                             | 2           | 35          | 1               |
| DCM37PD            |                             | 3           | 25          | 1               |
| DCM37PD            |                             | 4           | 35          | 1               |
| DCM37PD            |                             | 5           | 35          | 1               |
| DCM37PD            |                             | 6           | 25          | 1               |
| DCM37PD            |                             | 7           | 30          | 1               |
| DCM37PD            |                             | 8           | 25          | 1               |
| DCM37PD            |                             | 9           | 25          | 1               |
| DCM37PD            |                             | 10          | 30          | 1               |
| DCM37PD            |                             | 11          | 35          | 1               |
| DCM37PD            |                             | 12          | 25          | 1               |
| DCM37PD            |                             | 13          | 30          | 1               |
| DCM37PD            |                             | 14          | 25          | 1               |
| DCM37PD            |                             | 15          | 30          | 1               |
| DCM37PD            |                             | 16          | 25          | 1               |
| DCM37PD            |                             | 17          | 25          | 1               |
| DCM37PD            |                             | 18          | 25          | 1               |
| DCM37PD            |                             | 19          | 30          | 1               |
| DCM37PD            |                             | 20          | 25          | 1               |
| DCM37PD            |                             | 21          | 25          | 1               |
| FT1900P6-15-2      |                             | 1           | 10          | 6               |
| JANTX1N5552        |                             | 2           | 10          | 2               |
| JANTX1N5552        |                             | 3           | 10          | 2               |
| JANTX1N5552        |                             | 4           | 10          | 2               |
| JANTX1N5552        |                             | 5           | 10          | 5               |
| JANTX1N5552        |                             | 6           | 10          | 2               |
| JANTX1N5552        |                             | 7           | 10          | 2               |
| JANTX1N5552        |                             | 8           | 10          | 2               |
| JANTX1N5552        |                             | 9           | 10          | 2               |
| JANTX1N5552        |                             | 10          | 10          | 2               |
| JANTX1N5552        |                             | 11          | 10          | 2               |
| JANTX1N5552        |                             | 12          | 10          | 2               |
| JANTX1N5552        |                             | 13          | 10          | 2               |
| JANTX1N5552        |                             | 14          | 10          | 2               |
| JANTX1N5552        |                             | 15          | 10          | 2               |
| JANTX1N5552        |                             | 16          | 10          | 2               |
| JANTX1N5552        |                             | 17          | 10          | 2               |
| JANTX1N5552        |                             | 18          | 10          | 3               |
| JANTX1N5552        |                             | 19          | 10          | 4               |
| JANTX1N5552        |                             | 20          | 10          | 2               |
| JANTX1N5552        |                             | 21          | 10          | 2               |
| M818226A22-9       |                             | 4           | 90          | 1               |
| M83536-2-024M      |                             | 2           | -15         | 1               |
| M83536-2-024M      |                             | 4           | 15          | 1               |
| M83536-2-024M      |                             | 5           | 15          | 6               |
| M83536-2-024M      |                             | 7           | 15          | 1               |
| M83536-2-024M      |                             | 10          | 15          | 2               |

**ROSEMOUNT AEROSPACE INC.  
COMPONENT MAINTENANCE MANUAL  
SERIES 0514K**

**IPL Table 2. Numerical Index (continued)**

| <b>Part Number</b> | <b>Airline Stock Number</b> | <b>Fig.</b> | <b>Item</b> | <b>Quantity</b> |
|--------------------|-----------------------------|-------------|-------------|-----------------|
| M83536-2-024M      |                             | 10          | 15C         | 1               |
| M83536-2-024M      |                             | 11          | 15          | 3               |
| M83536-2-024M      |                             | 11          | 15C         | 2               |
| M83536-2-024M      |                             | 15          | 15          | 1               |
| M83536-2-024M      |                             | 19          | -85         | 1               |
| M83536-6-022M      |                             | 2           | -25         | 1               |
| M83536-6-022M      |                             | 2           | 25B         | 2               |
| M83536-6-022M      |                             | 3           | 70          | 1               |
| M83536-6-022M      |                             | 4           | -25         | 3               |
| M83536-6-022M      |                             | 4           | 25B         | 4               |
| M83536-6-022M      |                             | 5           | 25          | 2               |
| M83536-6-022M      |                             | 6           | 70          | 1               |
| M83536-6-022M      |                             | 7           | 85          | 1               |
| M83536-6-022M      |                             | 10          | 85          | 1               |
| M83536-6-022M      |                             | 11          | 90          | 1               |
| M83536-6-022M      |                             | 13          | 20          | 1               |
| M83536-6-022M      |                             | 14          | 70          | 1               |
| M83536-6-022M      |                             | 15          | 85          | 1               |
| M83536-6-022M      |                             | 16          | 70          | 1               |
| M83536-6-022M      |                             | 18          | 70          | 1               |
| M83536-6-022M      |                             | 19          | 20          | 2               |
| M83536-6-022M      |                             | 20          | 70          | 1               |
| MS20605S3C2        |                             | 1           | 145         | 20              |
| MS21042-04         |                             | 2           | 45          | 2               |
| MS21042-04         |                             | 3           | 35          | 2               |
| MS21042-04         |                             | 4           | 45          | 2               |
| MS21042-04         |                             | 5           | 45          | 2               |
| MS21042-04         |                             | 6           | 35          | 2               |
| MS21042-04         |                             | 7           | 40          | 2               |
| MS21042-04         |                             | 8           | 35          | 2               |
| MS21042-04         |                             | 9           | 35          | 2               |
| MS21042-04         |                             | 10          | 40          | 2               |
| MS21042-04         |                             | 11          | 45          | 4               |
| MS21042-04         |                             | 12          | 35          | 2               |
| MS21042-04         |                             | 13          | 40          | 2               |
| MS21042-04         |                             | 14          | 35          | 2               |
| MS21042-04         |                             | 15          | 40          | 2               |
| MS21042-04         |                             | 16          | 35          | 2               |
| MS21042-04         |                             | 17          | 35          | 2               |
| MS21042-04         |                             | 18          | 35          | 2               |
| MS21042-04         |                             | 19          | 40          | 2               |
| MS21042-04         |                             | 20          | 35          | 2               |
| MS21042-04         |                             | 21          | 35          | 2               |
| MS21043-04         |                             | 2           | -85         | 7               |
| MS21043-04         |                             | 2           | 85A         | 10              |
| MS21043-04         |                             | 3           | -65         | 2               |
| MS21043-04         |                             | 3           | 65A         | 5               |

**ROSEMOUNT AEROSPACE INC.  
COMPONENT MAINTENANCE MANUAL  
SERIES 0514K**

**IPL Table 2. Numerical Index (continued)**

| <b>Part Number</b> | <b>Airline Stock Number</b> | <b>Fig.</b> | <b>Item</b> | <b>Quantity</b> |
|--------------------|-----------------------------|-------------|-------------|-----------------|
| MS21043-04         |                             | 4           | 85          | 13              |
| MS21043-04         |                             | 5           | 85          | 20              |
| MS21043-04         |                             | 6           | -65         | 2               |
| MS21043-04         |                             | 6           | 65A         | 5               |
| MS21043-04         |                             | 7           | -80         | 4               |
| MS21043-04         |                             | 7           | 80A         | 7               |
| MS21043-04         |                             | 8           | 65          | 2               |
| MS21043-04         |                             | 9           | 65          | 2               |
| MS21043-04         |                             | 10          | -80         | 6               |
| MS21043-04         |                             | 10          | 80A         | 9               |
| MS21043-04         |                             | 11          | -85         | 8               |
| MS21043-04         |                             | 11          | 85A         | 11              |
| MS21043-04         |                             | 12          | 65          | 2               |
| MS21043-04         |                             | 13          | 80          | 5               |
| MS21043-04         |                             | 14          | -65         | 2               |
| MS21043-04         |                             | 14          | 65A         | 5               |
| MS21043-04         |                             | 15          | -80         | 4               |
| MS21043-04         |                             | 15          | 80A         | 7               |
| MS21043-04         |                             | 16          | -65         | 2               |
| MS21043-04         |                             | 16          | 65A         | 5               |
| MS21043-04         |                             | 17          | 65          | 2               |
| MS21043-04         |                             | 18          | -65         | 2               |
| MS21043-04         |                             | 18          | 65A         | 5               |
| MS21043-04         |                             | 19          | -80         | 8               |
| MS21043-04         |                             | 19          | 80A         | 10              |
| MS21043-04         |                             | 20          | -65         | 2               |
| MS21043-04         |                             | 20          | 65A         | 5               |
| MS21043-04         |                             | 21          | 65          | 2               |
| MS24693-C28        |                             | 1           | 20          | 2               |
| MS35649-262        |                             | 1           | 35          | 4               |
| MS51957-15         |                             | 2           | 60          | 2               |
| MS51957-15         |                             | 3           | 50          | 2               |
| MS51957-15         |                             | 4           | 60          | 2               |
| MS51957-15         |                             | 5           | 60          | 2               |
| MS51957-15         |                             | 6           | 50          | 2               |
| MS51957-15         |                             | 7           | 55          | 2               |
| MS51957-15         |                             | 8           | 50          | 2               |
| MS51957-15         |                             | 9           | 50          | 2               |
| MS51957-15         |                             | 10          | 55          | 2               |
| MS51957-15         |                             | 11          | 60          | 2               |
| MS51957-15         |                             | 12          | 50          | 2               |
| MS51957-15         |                             | 13          | 55          | 2               |
| MS51957-15         |                             | 14          | 50          | 2               |
| MS51957-15         |                             | 15          | 55          | 2               |
| MS51957-15         |                             | 16          | 50          | 2               |
| MS51957-15         |                             | 17          | 50          | 2               |
| MS51957-15         |                             | 18          | 50          | 2               |

**ROSEMOUNT AEROSPACE INC.  
COMPONENT MAINTENANCE MANUAL  
SERIES 0514K**

**IPL Table 2. Numerical Index (continued)**

| <b>Part Number</b> | <b>Airline Stock Number</b> | <b>Fig.</b> | <b>Item</b> | <b>Quantity</b> |
|--------------------|-----------------------------|-------------|-------------|-----------------|
| MS51957-15         |                             | 19          | 55          | 2               |
| MS51957-15         |                             | 20          | 50          | 2               |
| MS51957-15         |                             | 21          | 50          | 2               |
| MS51957-17         |                             | 2           | -65         | 5               |
| MS51957-17         |                             | 2           | 65A         | 8               |
| MS51957-17         |                             | 3           | 75          | 3               |
| MS51957-17         |                             | 4           | -65         | 11              |
| MS51957-17         |                             | 4           | 65A         | 14              |
| MS51957-17         |                             | 5           | 65          | 18              |
| MS51957-17         |                             | 6           | 75          | 3               |
| MS51957-17         |                             | 7           | -60         | 2               |
| MS51957-17         |                             | 7           | 60A         | 5               |
| MS51957-17         |                             | 10          | -60         | 4               |
| MS51957-17         |                             | 10          | 60A         | 7               |
| MS51957-17         |                             | 11          | -65         | 6               |
| MS51957-17         |                             | 11          | 65A         | 9               |
| MS51957-17         |                             | 13          | 60          | 3               |
| MS51957-17         |                             | 14          | -75         | 3               |
| MS51957-17         |                             | 15          | -60         | 2               |
| MS51957-17         |                             | 15          | 60A         | 5               |
| MS51957-17         |                             | 16          | 75          | 3               |
| MS51957-17         |                             | 18          | 75          | 3               |
| MS51957-17         |                             | 19          | -60         | 6               |
| MS51957-17         |                             | 19          | 60A         | 8               |
| MS51957-17         |                             | 20          | 75          | 3               |
| NAS514P440-5P      |                             | 1           | 70          | 4               |
| NAS514P440-5P      |                             | 1           | 105         | 6               |
| NAS514P440-5P      |                             | 1           | 125         | 3               |
| NAS514P440-5P      |                             | 1           | 135         | 3               |
| NAS514P440-6P      |                             | 1           | 90          | 8               |
| NAS514P632-8P      |                             | 1           | 30          | 4               |
| NAS600-5P          |                             | 2           | 50          | 2               |
| NAS600-5P          |                             | 3           | 40          | 2               |
| NAS600-5P          |                             | 4           | 50          | 2               |
| NAS600-5P          |                             | 5           | 50          | 2               |
| NAS600-5P          |                             | 6           | 40          | 2               |
| NAS600-5P          |                             | 7           | 45          | 2               |
| NAS600-5P          |                             | 8           | 40          | 2               |
| NAS600-5P          |                             | 9           | 40          | 2               |
| NAS600-5P          |                             | 10          | 45          | 2               |
| NAS600-5P          |                             | 11          | 50          | 4               |
| NAS600-5P          |                             | 12          | 40          | 2               |
| NAS600-5P          |                             | 13          | 45          | 2               |
| NAS600-5P          |                             | 14          | 40          | 2               |
| NAS600-5P          |                             | 15          | 45          | 2               |
| NAS600-5P          |                             | 16          | 40          | 2               |
| NAS600-5P          |                             | 17          | 40          | 2               |

**ROSEMOUNT AEROSPACE INC.  
COMPONENT MAINTENANCE MANUAL  
SERIES 0514K**

**IPL Table 2. Numerical Index (continued)**

| <b>Part Number</b> | <b>Airline Stock Number</b> | <b>Fig.</b> | <b>Item</b> | <b>Quantity</b> |
|--------------------|-----------------------------|-------------|-------------|-----------------|
| NAS600-5P          |                             | 18          | 40          | 2               |
| NAS600-5P          |                             | 19          | 45          | 2               |
| NAS600-5P          |                             | 20          | 40          | 2               |
| NAS600-5P          |                             | 21          | 40          | 2               |
| NAS601-7P          |                             | 1           | 75          | 8               |
| NAS601-7P          |                             | 1           | 110         | 2               |
| NAS620-4L          |                             | 2           | 55          | 2               |
| NAS620-4L          |                             | 3           | 45          | 2               |
| NAS620-4L          |                             | 4           | 55          | 2               |
| NAS620-4L          |                             | 5           | 55          | 2               |
| NAS620-4L          |                             | 6           | 45          | 2               |
| NAS620-4L          |                             | 7           | 50          | 2               |
| NAS620-4L          |                             | 8           | 45          | 2               |
| NAS620-4L          |                             | 9           | 45          | 2               |
| NAS620-4L          |                             | 10          | 50          | 2               |
| NAS620-4L          |                             | 11          | 55          | 6               |
| NAS620-4L          |                             | 12          | 45          | 2               |
| NAS620-4L          |                             | 13          | 50          | 2               |
| NAS620-4L          |                             | 14          | 45          | 2               |
| NAS620-4L          |                             | 15          | 50          | 2               |
| NAS620-4L          |                             | 16          | 45          | 2               |
| NAS620-4L          |                             | 17          | 45          | 2               |
| NAS620-4L          |                             | 18          | 45          | 2               |
| NAS620-4L          |                             | 19          | 50          | 2               |
| NAS620-4L          |                             | 20          | 45          | 2               |
| NAS620-4L          |                             | 21          | 45          | 2               |
| NAS620-6L          |                             | 1           | 80          | 8               |
| NAS620-6L          |                             | 1           | 115         | 2               |
| NAS620C4L          |                             | 2           | -80         | 9               |
| NAS620C4L          |                             | 2           | 80A         | 12              |
| NAS620C4L          |                             | 3           | -60         | 4               |
| NAS620C4L          |                             | 3           | 60A         | 7               |
| NAS620C4L          |                             | 4           | -80         | 15              |
| NAS620C4L          |                             | 4           | 80A         | 18              |
| NAS620C4L          |                             | 5           | 80          | 22              |
| NAS620C4L          |                             | 6           | -60         | 4               |
| NAS620C4L          |                             | 6           | 60A         | 7               |
| NAS620C4L          |                             | 7           | -75         | 6               |
| NAS620C4L          |                             | 7           | 75A         | 9               |
| NAS620C4L          |                             | 8           | 60          | 4               |
| NAS620C4L          |                             | 9           | 60          | 4               |
| NAS620C4L          |                             | 10          | -75         | 8               |
| NAS620C4L          |                             | 10          | 75A         | 11              |
| NAS620C4L          |                             | 11          | -80         | 10              |
| NAS620C4L          |                             | 11          | 80A         | 13              |
| NAS620C4L          |                             | 12          | 60          | 4               |
| NAS620C4L          |                             | 13          | 75          | 7               |

**ROSEMOUNT AEROSPACE INC.  
COMPONENT MAINTENANCE MANUAL  
SERIES 0514K**

**IPL Table 2. Numerical Index (continued)**

| <b>Part Number</b> | <b>Airline Stock Number</b> | <b>Fig.</b> | <b>Item</b> | <b>Quantity</b> |
|--------------------|-----------------------------|-------------|-------------|-----------------|
| NAS620C4L          |                             | 14          | -60         | 4               |
| NAS620C4L          |                             | 14          | 60A         | 7               |
| NAS620C4L          |                             | 15          | -75         | 6               |
| NAS620C4L          |                             | 15          | 75A         | 9               |
| NAS620C4L          |                             | 16          | -60         | 4               |
| NAS620C4L          |                             | 16          | 60A         | 7               |
| NAS620C4L          |                             | 17          | 60          | 4               |
| NAS620C4L          |                             | 18          | -60         | 4               |
| NAS620C4L          |                             | 18          | 60A         | 7               |
| NAS620C4L          |                             | 19          | -75         | 10              |
| NAS620C4L          |                             | 19          | 75A         | 12              |
| NAS620C4L          |                             | 20          | -60         | 4               |
| NAS620C4L          |                             | 20          | 60A         | 7               |
| NAS620C4L          |                             | 21          | 60          | 4               |
| NAS622-T2          |                             | 1           | 25          | 2               |
| RER70F47R5R        |                             | 11          | 25          | 1               |
| TDH2037-2000       |                             | 2           | 15B         | 1               |
| TDH2037-2000       |                             | 19          | 85B         | 1               |
| TDH2038-5000       |                             | 10          | 15B         | 1               |
| TDH2038-5000       |                             | 11          | 15B         | 1               |
| WG104PR9SY342-1    |                             | 2           | 30          | 1               |
| WG104PR9SY34210    |                             | 19          | 25          | 1               |
| WG104PR9SY34211    |                             | 4           | 30          | 1               |
| WG104PR9SY34212    |                             | 8           | 20          | 1               |
| WG104PR9SY34213    |                             | 12          | 20          | 1               |
| WG104PR9SY34214    |                             | 16          | 20          | 1               |
| WG104PR9SY34215    |                             | 20          | 20          | 1               |
| WG104PR9SY34216    |                             | 5           | 30          | 1               |
| WG104PR9SY34217    |                             | 9           | 20          | 1               |
| WG104PR9SY34218    |                             | 13          | 25          | 1               |
| WG104PR9SY342-2    |                             | 6           | 20          | 1               |
| WG104PR9SY34223    |                             | 17          | 20          | 1               |
| WG104PR9SY34228    |                             | 21          | 20          | 1               |
| WG104PR9SY342-3    |                             | 10          | 25          | 1               |
| WG104PR9SY342-4    |                             | 14          | 20          | 1               |
| WG104PR9SY342-5    |                             | 18          | 20          | 1               |
| WG104PR9SY342-6    |                             | 3           | 20          | 1               |
| WG104PR9SY342-7    |                             | 7           | 25          | 1               |
| WG104PR9SY342-8    |                             | 11          | 30          | 1               |
| WG104PR9SY342-9    |                             | 15          | 25          | 1               |
| XD4N300M           |                             | 2           | -25A        | 1               |
| XD4N300M           |                             | 2           | -25C        | 2               |
| XD4N300M           |                             | 4           | -25A        | 3               |
| XD4N300M           |                             | 5           | -25A        | 2               |
| XD4N300M           |                             | 6           | -70A        | 1               |
| XD4N300M           |                             | 7           | -85A        | 1               |
| XD4N300M           |                             | 10          | -15D        | 1               |

**ROSEMOUNT AEROSPACE INC.  
COMPONENT MAINTENANCE MANUAL  
SERIES 0514K**

**IPL Table 2. Numerical Index (continued)**

| <b>Part Number</b> | <b>Airline Stock Number</b> | <b>Fig.</b> | <b>Item</b> | <b>Quantity</b> |
|--------------------|-----------------------------|-------------|-------------|-----------------|
| XD4N300M           |                             | 10          | -85A        | 1               |
| XD4N300M           |                             | 11          | -15D        | 2               |
| XD4N300M           |                             | 11          | -90A        | 1               |
| XD4N300M           |                             | 13          | -20A        | 1               |
| XD4N300M           |                             | 14          | -70A        | 1               |
| XD4N300M           |                             | 15          | -85A        | 1               |
| XD4N300M           |                             | 16          | -70A        | 1               |
| XD4N300M           |                             | 18          | -70A        | 1               |
| XD4N300M           |                             | 19          | -20A        | 2               |
| XD4N300M           |                             | 20          | -70A        | 1               |
| YD4N300M           |                             | 2           | -15A        | 1               |
| YD4N300M           |                             | 2           | -25D        | 2               |
| YD4N300M           |                             | 4           | -15A        | 1               |
| YD4N300M           |                             | 5           | -15A        | 6               |
| YD4N300M           |                             | 7           | -15A        | 1               |
| YD4N300M           |                             | 10          | -15A        | 2               |
| Yd4N300m           |                             | 10          | -85B        | 1               |
| YD4N300M           |                             | 11          | -15A        | 3               |
| YD4N300M           |                             | 11          | -90B        | 1               |
| YD4N300M           |                             | 15          | -15A        | 1               |
| YD4N300M           |                             | 19          | -20B        | 2               |
| YD4N300M           |                             | 19          | -85A        | 1               |
| 00020-2306-0001    |                             | 1           | 15          | 1               |
| 00514-0055-0001    |                             | 1           | 40          | 1               |
| 00514-0055-0001    |                             | 2           | -1          | REF             |
| 00514-0055-0002    |                             | 1           | -40A        | 1               |
| 00514-0055-0002    |                             | 2           | -1A         | REF             |
| 00514-0055-0003    |                             | 1           | -40B        | 1               |
| 00514-0055-0003    |                             | 2           | -1B         | REF             |
| 00514-0055-0005    |                             | 1           | -40C        | 1               |
| 00514-0055-0005    |                             | 2           | -1C         | REF             |
| 00514-0056-0001    |                             | 2           | 5           | 1               |
| 00514-0056-0002    |                             | 2           | -5A         | 1               |
| 00514-0058-0001    |                             | 1           | 45          | 1               |
| 00514-0058-0001    |                             | 6           | -1          | REF             |
| 00514-0058-0002    |                             | 1           | -45A        | 1               |
| 00514-0058-0002    |                             | 6           | -1A         | REF             |
| 00514-0058-0005    |                             | 1           | -45B        | 1               |
| 00514-0058-0005    |                             | 6           | -1B         | REF             |
| 00514-0059-0001    |                             | 6           | 5           | 1               |
| 00514-0059-0002    |                             | 6           | -5A         | 1               |
| 00514-0061-0001    |                             | 1           | 50          | 1               |
| 00514-0061-0001    |                             | 10          | -1          | REF             |
| 00514-0061-0002    |                             | 1           | -50A        | 1               |
| 00514-0061-0002    |                             | 10          | -1A         | REF             |
| 00514-0061-0003    |                             | 1           | -50B        | 1               |
| 00514-0061-0003    |                             | 10          | -1B         | REF             |

**ROSEMOUNT AEROSPACE INC.  
COMPONENT MAINTENANCE MANUAL  
SERIES 0514K**

**IPL Table 2. Numerical Index (continued)**

| <b>Part Number</b> | <b>Airline Stock Number</b> | <b>Fig.</b> | <b>Item</b> | <b>Quantity</b> |
|--------------------|-----------------------------|-------------|-------------|-----------------|
| 00514-0061-0005    |                             | 1           | -50C        | 1               |
| 00514-0061-0005    |                             | 10          | -1C         | REF             |
| 00514-0062-0001    |                             | 10          | 5           | 1               |
| 00514-0062-0002    |                             | 10          | -5A         | 1               |
| 00514-0064-0001    |                             | 1           | 55          | 1               |
| 00514-0064-0001    |                             | 14          | -1          | REF             |
| 00514-0064-0002    |                             | 1           | -55A        | 1               |
| 00514-0064-0002    |                             | 14          | -1A         | REF             |
| 00514-0064-0005    |                             | 1           | -55B        | 1               |
| 00514-0064-0005    |                             | 14          | -1B         | REF             |
| 00514-0065-0001    |                             | 14          | 5           | 1               |
| 00514-0065-0002    |                             | 14          | -5A         | 1               |
| 00514-0067-0001    |                             | 1           | 60          | 1               |
| 00514-0067-0001    |                             | 18          | -1          | REF             |
| 00514-0067-0002    |                             | 1           | -60A        | 1               |
| 00514-0067-0002    |                             | 18          | -1A         | REF             |
| 00514-0067-0005    |                             | 1           | -60B        | 1               |
| 00514-0067-0005    |                             | 18          | -1B         | REF             |
| 00514-0068-0001    |                             | 18          | 5           | 1               |
| 00514-0068-0002    |                             | 18          | -5A         | 1               |
| 00514-0070-0001    |                             | 1           | 100         | 1               |
| 00514-0070-0002    |                             | 1           | -100A       | 1               |
| 00514-0070-0003    |                             | 1           | -100B       | 1               |
| 00514-0070-0004    |                             | 1           | -100C       | 1               |
| 00514-0073-0001    |                             | 1           | 85          | 2               |
| 00514-0075-0001    |                             | 1           | 65          | 1               |
| 00514-0076-0001    |                             | 1           | 5           | 1               |
| 00514-0076-0002    |                             | 1           | -5A         | 1               |
| 00514-0076-0003    |                             | 1           | -5B         | 1               |
| 00514-0076-0004    |                             | 1           | -5C         | 1               |
| 00514-0077-0001    |                             | 1           | 95          | 1               |
| 00514-0086-0001    |                             | 1           | -40D        | 1               |
| 00514-0086-0001    |                             | 3           | -1          | REF             |
| 00514-0086-0002    |                             | 1           | -40E        | 1               |
| 00514-0086-0002    |                             | 3           | -1A         | REF             |
| 00514-0086-0005    |                             | 1           | -40F        | 1               |
| 00514-0086-0005    |                             | 3           | -1B         | REF             |
| 00514-0087-0001    |                             | 3           | 5           | 1               |
| 00514-0087-0002    |                             | 3           | -5A         | 1               |
| 00514-0089-0001    |                             | 1           | -45C        | 1               |
| 00514-0089-0001    |                             | 7           | -1          | REF             |
| 00514-0089-0002    |                             | 1           | -45D        | 1               |
| 00514-0089-0002    |                             | 7           | -1A         | REF             |
| 00514-0089-0005    |                             | 1           | -45E        | 1               |
| 00514-0089-0005    |                             | 7           | -1B         | REF             |
| 00514-0090-0001    |                             | 7           | 5           | 1               |

**ROSEMOUNT AEROSPACE INC.  
COMPONENT MAINTENANCE MANUAL  
SERIES 0514K**

**IPL Table 2. Numerical Index (continued)**

| <b>Part Number</b> | <b>Airline Stock Number</b> | <b>Fig.</b> | <b>Item</b> | <b>Quantity</b> |
|--------------------|-----------------------------|-------------|-------------|-----------------|
| 00514-0090-0002    |                             | 7           | -5A         | 1               |
| 00514-0092-0001    |                             | 1           | -50D        | 1               |
| 00514-0092-0001    |                             | 11          | -1          | REF             |
| 00514-0092-0002    |                             | 1           | -50E        | 1               |
| 00514-0092-0002    |                             | 11          | -1A         | REF             |
| 00514-0092-0003    |                             | 1           | -50F        | 1               |
| 00514-0092-0003    |                             | 11          | -1B         | REF             |
| 00514-0092-0005    |                             | 1           | -50G        | 1               |
| 00514-0092-0005    |                             | 11          | -1C         | REF             |
| 00514-0093-0001    |                             | 11          | 5           | 1               |
| 00514-0093-0002    |                             | 11          | -5A         | 1               |
| 00514-0095-0001    |                             | 1           | -55C        | 1               |
| 00514-0095-0001    |                             | 15          | -1          | REF             |
| 00514-0095-0002    |                             | 1           | -55D        | 1               |
| 00514-0095-0002    |                             | 15          | -1A         | REF             |
| 00514-0095-0005    |                             | 1           | -55E        | 1               |
| 00514-0095-0005    |                             | 15          | -1B         | REF             |
| 00514-0096-0001    |                             | 15          | 5           | 1               |
| 00514-0096-0002    |                             | 15          | -5A         | 1               |
| 00514-0098-0001    |                             | 1           | -60C        | 1               |
| 00514-0098-0001    |                             | 19          | -1          | REF             |
| 00514-0098-0002    |                             | 1           | -60D        | 1               |
| 00514-0098-0002    |                             | 19          | -1A         | REF             |
| 00514-0098-0003    |                             | 1           | -60E        | 1               |
| 00514-0098-0003    |                             | 19          | -1B         | REF             |
| 00514-0098-0005    |                             | 1           | -60F        | 1               |
| 00514-0098-0005    |                             | 19          | -1C         | REF             |
| 00514-0099-0001    |                             | 19          | 5           | 1               |
| 00514-0099-0002    |                             | 19          | -5A         | 1               |
| 00514-0101-0001    |                             | 1           | 140         | 10              |
| 00514-0102-0001    |                             | 1           | -40G        | 1               |
| 00514-0102-0001    |                             | 4           | -1          | REF             |
| 00514-0102-0002    |                             | 1           | -40H        | 1               |
| 00514-0102-0002    |                             | 4           | -1A         | REF             |
| 00514-0102-0006    |                             | 1           | -40I        | 1               |
| 00514-0102-0006    |                             | 4           | -1B         | REF             |
| 00514-0102-0007    |                             | 1           | -40J        | 1               |
| 00514-0102-0007    |                             | 4           | -1C         | REF             |
| 00514-0103-0001    |                             | 4           | 5           | 1               |
| 00514-0103-0002    |                             | 4           | -5A         | 1               |
| 00514-0103-0003    |                             | 4           | -5B         | 1               |
| 00514-0105-0001    |                             | 1           | -45F        | 1               |
| 00514-0105-0001    |                             | 8           | -1          | REF             |
| 00514-0105-0002    |                             | 1           | -45G        | 1               |
| 00514-0105-0002    |                             | 8           | -1A         | REF             |
| 00514-0105-0006    |                             | 1           | -45H        | 1               |

**ROSEMOUNT AEROSPACE INC.  
COMPONENT MAINTENANCE MANUAL  
SERIES 0514K**

**IPL Table 2. Numerical Index (continued)**

| <b>Part Number</b> | <b>Airline Stock Number</b> | <b>Fig.</b> | <b>Item</b> | <b>Quantity</b> |
|--------------------|-----------------------------|-------------|-------------|-----------------|
| 00514-0105-0006    |                             | 8           | -1B         | REF             |
| 00514-0106-0001    |                             | 8           | 5           | 1               |
| 00514-0106-0002    |                             | 8           | -5A         | 1               |
| 00514-0108-0001    |                             | 1           | -50H        | 1               |
| 00514-0108-0001    |                             | 12          | -1          | REF             |
| 00514-0108-0002    |                             | 1           | -50I        | 1               |
| 00514-0108-0002    |                             | 12          | -1A         | REF             |
| 00514-0108-0006    |                             | 1           | -50J        | 1               |
| 00514-0108-0006    |                             | 12          | -1B         | REF             |
| 00514-0109-0001    |                             | 12          | 5           | 1               |
| 00514-0109-0002    |                             | 12          | -5A         | 1               |
| 00514-0111-0001    |                             | 1           | -55F        | 1               |
| 00514-0111-0001    |                             | 16          | -1          | REF             |
| 00514-0111-0002    |                             | 1           | -55G        | 1               |
| 00514-0111-0002    |                             | 16          | -1A         | REF             |
| 00514-0111-0006    |                             | 1           | -55H        | 1               |
| 00514-0111-0006    |                             | 16          | -1B         | REF             |
| 00514-0112-0001    |                             | 16          | 5           | 1               |
| 00514-0112-0002    |                             | 16          | -5A         | 1               |
| 00514-0114-0001    |                             | 1           | -60G        | 1               |
| 00514-0114-0001    |                             | 20          | -1          | REF             |
| 00514-0114-0002    |                             | 1           | -60H        | 1               |
| 00514-0114-0002    |                             | 20          | -1A         | REF             |
| 00514-0114-0006    |                             | 1           | -60I        | 1               |
| 00514-0114-0006    |                             | 20          | -1B         | REF             |
| 00514-0115-0001    |                             | 20          | 5           | 1               |
| 00514-0115-0002    |                             | 20          | -5A         | 1               |
| 00514-0118-0001    |                             | 1           | -40K        | 1               |
| 00514-0118-0001    |                             | 5           | -1          | REF             |
| 00514-0118-0003    |                             | 1           | -40L        | 1               |
| 00514-0118-0003    |                             | 5           | -1A         | REF             |
| 00514-0118-0004    |                             | 1           | -40M        | 1               |
| 00514-0118-0004    |                             | 5           | -1B         | REF             |
| 00514-0119-0001    |                             | 5           | 5           | 1               |
| 00514-0119-0002    |                             | 5           | -5A         | 1               |
| 00514-0119-0003    |                             | 5           | -5B         | 1               |
| 00514-0121-0001    |                             | 1           | -45I        | 1               |
| 00514-0121-0001    |                             | 9           | -1          | REF             |
| 00514-0121-0002    |                             | 1           | -45J        | 1               |
| 00514-0121-0002    |                             | 9           | -1A         | REF             |
| 00514-0121-0004    |                             | 1           | -45K        | 1               |
| 00514-0121-0004    |                             | 9           | -1B         | REF             |
| 00514-0122-0001    |                             | 9           | 5           | 1               |
| 00514-0122-0002    |                             | 9           | -5A         | 1               |
| 00514-0124-0001    |                             | 1           | -50K        | 1               |
| 00514-0124-0001    |                             | 13          | -1          | REF             |

**ROSEMOUNT AEROSPACE INC.  
COMPONENT MAINTENANCE MANUAL  
SERIES 0514K**

**IPL Table 2. Numerical Index (continued)**

| <b>Part Number</b> | <b>Airline Stock Number</b> | <b>Fig.</b> | <b>Item</b> | <b>Quantity</b> |
|--------------------|-----------------------------|-------------|-------------|-----------------|
| 00514-0124-0002    |                             | 1           | -50L        | 1               |
| 00514-0124-0002    |                             | 13          | -1A         | REF             |
| 00514-0124-0004    |                             | 1           | -50M        | 1               |
| 00514-0124-0004    |                             | 13          | -1B         | REF             |
| 00514-0125-0001    |                             | 13          | 5           | 1               |
| 00514-0125-0002    |                             | 13          | -5A         | 1               |
| 00514-0127-0001    |                             | 1           | -55I        | 1               |
| 00514-0127-0001    |                             | 17          | -1          | REF             |
| 00514-0127-0002    |                             | 1           | -55J        | 1               |
| 00514-0127-0002    |                             | 17          | -1A         | REF             |
| 00514-0127-0004    |                             | 1           | -55K        | 1               |
| 00514-0127-0004    |                             | 17          | -1B         | REF             |
| 00514-0128-0001    |                             | 17          | 5           | 1               |
| 00514-0128-0002    |                             | 17          | -5A         | 1               |
| 00514-0130-0001    |                             | 1           | -60J        | 1               |
| 00514-0130-0001    |                             | 21          | -1          | REF             |
| 00514-0130-0002    |                             | 1           | -60K        | 1               |
| 00514-0130-0002    |                             | 21          | -1A         | REF             |
| 00514-0130-0004    |                             | 1           | -60L        | 1               |
| 00514-0130-0004    |                             | 21          | -1B         | REF             |
| 00514-0131-0001    |                             | 21          | 5           | 1               |
| 00514-0131-0002    |                             | 21          | -5A         | 1               |
| 00514-0137-0001    |                             | 1           | 120         | 1               |
| 00514-0137-0002    |                             | 1           | 130         | 1               |
| 00514-0140-0001    |                             | 1           | -155A       | 1               |
| 00514-0140-0004    |                             | 1           | 155         | 1               |
| 00514-0327-0004    |                             | 1           | 150         | 1               |
| 0514K1             |                             | 1           | - 1         | REF             |
| MOD ABCD           |                             |             |             |                 |
| 0514K2             |                             | 1           | -1A         | REF             |
| MOD ABCD           |                             |             |             |                 |
| 0514K3             |                             | 1           | -1B         | REF             |
| MOD ABCDE          |                             |             |             |                 |
| 0514K4             |                             | 1           | -1C         | REF             |
| MOD ABCDE          |                             |             |             |                 |
| 107-50-3           |                             | 2           | 75          | 2               |
| 107-50-3           |                             | 3           | 55          | 2               |
| 107-50-3           |                             | 4           | 75          | 2               |
| 107-50-3           |                             | 5           | 75          | 2               |
| 107-50-3           |                             | 6           | 55          | 2               |
| 107-50-3           |                             | 7           | 70          | 2               |
| 107-50-3           |                             | 8           | 55          | 2               |
| 107-50-3           |                             | 9           | 55          | 2               |
| 107-50-3           |                             | 10          | 70          | 2               |
| 107-50-3           |                             | 11          | 75          | 2               |
| 107-50-3           |                             | 12          | 55          | 2               |
| 107-50-3           |                             | 13          | 70          | 2               |

**ROSEMOUNT AEROSPACE INC.  
COMPONENT MAINTENANCE MANUAL  
SERIES 0514K**

**IPL Table 2. Numerical Index (continued)**

| <b>Part Number</b> | <b>Airline Stock Number</b> | <b>Fig.</b> | <b>Item</b> | <b>Quantity</b> |
|--------------------|-----------------------------|-------------|-------------|-----------------|
| 107-50-3           |                             | 14          | 55          | 2               |
| 107-50-3           |                             | 15          | 70          | 2               |
| 107-50-3           |                             | 16          | 55          | 2               |
| 107-50-3           |                             | 17          | 55          | 2               |
| 107-50-3           |                             | 18          | 55          | 2               |
| 107-50-3           |                             | 19          | 70          | 2               |
| 107-50-3           |                             | 20          | 55          | 2               |
| 107-50-3           |                             | 21          | 55          | 2               |
| 1204-0306          |                             | 1           | -145A       | 20              |
| 534974-4           |                             | 2           | -40A        | 1               |
| 534974-4           |                             | 3           | -30A        | 1               |
| 534974-4           |                             | 4           | -40A        | 1               |
| 534974-4           |                             | 5           | -40A        | 1               |
| 534974-4           |                             | 6           | -30A        | 1               |
| 534974-4           |                             | 7           | -35A        | 1               |
| 534974-4           |                             | 8           | -30A        | 1               |
| 534974-4           |                             | 9           | -30A        | 1               |
| 534974-4           |                             | 10          | -35A        | 1               |
| 534974-4           |                             | 11          | -40A        | 1               |
| 534974-4           |                             | 12          | -30A        | 1               |
| 534974-4           |                             | 13          | -35A        | 1               |
| 534974-4           |                             | 14          | -30A        | 1               |
| 534974-4           |                             | 15          | -35A        | 1               |
| 534974-4           |                             | 16          | -30A        | 1               |
| 534974-4           |                             | 17          | -30A        | 1               |
| 534974-4           |                             | 18          | -30A        | 1               |
| 534974-4           |                             | 19          | -35A        | 1               |
| 534974-4           |                             | 20          | -30A        | 1               |
| 534974-4           |                             | 21          | -30A        | 1               |
| 534974-5           |                             | 2           | 40          | 1               |
| 534974-5           |                             | 3           | 30          | 1               |
| 534974-5           |                             | 4           | 40          | 1               |
| 534974-5           |                             | 5           | 40          | 1               |
| 534974-5           |                             | 6           | 30          | 1               |
| 534974-5           |                             | 7           | 35          | 1               |
| 534974-5           |                             | 8           | 30          | 1               |
| 534974-5           |                             | 9           | 30          | 1               |
| 534974-5           |                             | 10          | 35          | 1               |
| 534974-5           |                             | 11          | 40          | 1               |
| 534974-5           |                             | 12          | 30          | 1               |
| 534974-5           |                             | 13          | 35          | 1               |
| 534974-5           |                             | 14          | 30          | 1               |
| 534974-5           |                             | 15          | 35          | 1               |
| 534974-5           |                             | 16          | 30          | 1               |
| 534974-5           |                             | 17          | 30          | 1               |
| 534974-5           |                             | 18          | 30          | 1               |

**ROSEMOUNT AEROSPACE INC.  
COMPONENT MAINTENANCE MANUAL  
SERIES 0514K**

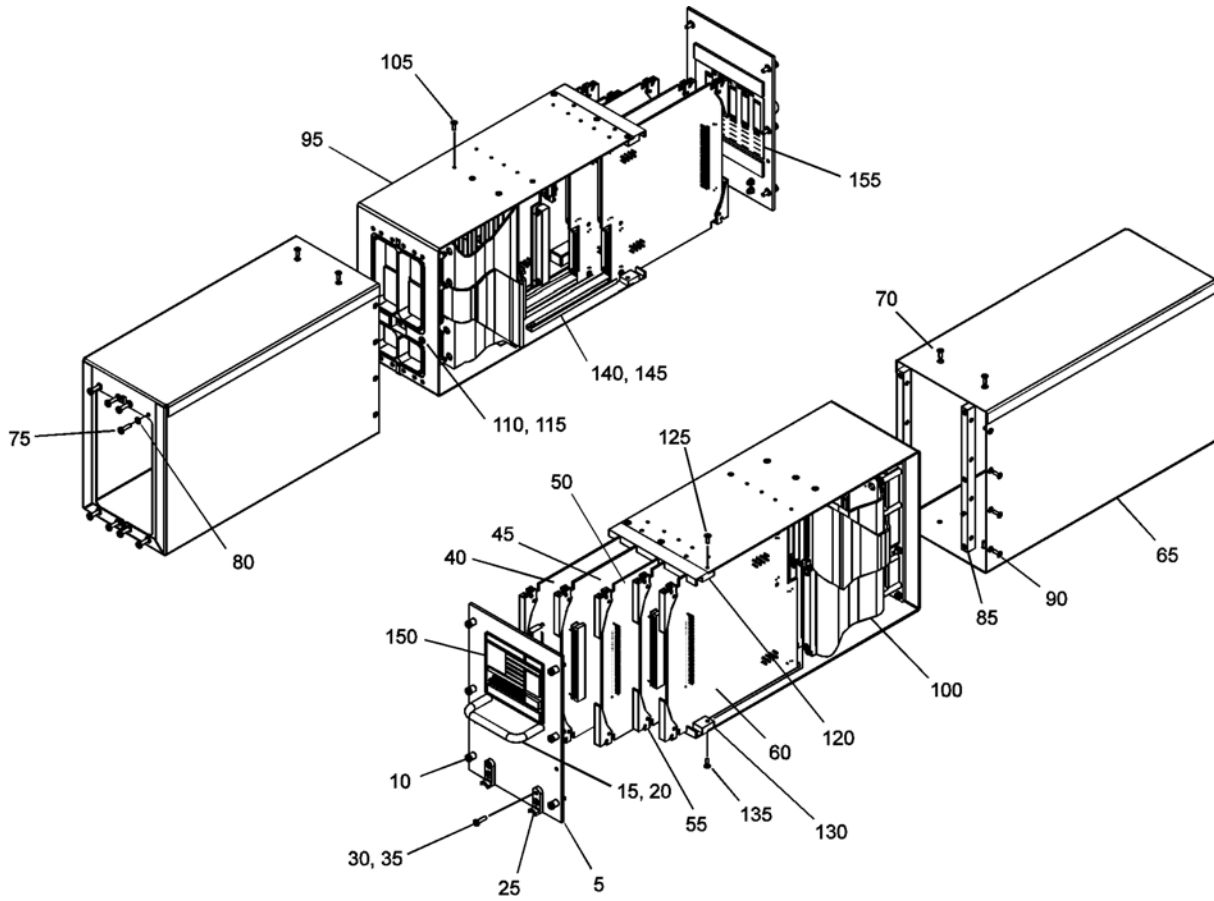
**IPL Table 2. Numerical Index (continued)**

| <b>Part Number</b> | <b>Airline Stock Number</b> | <b>Fig.</b> | <b>Item</b> | <b>Quantity</b> |
|--------------------|-----------------------------|-------------|-------------|-----------------|
| 534974-5           |                             | 19          | 35          | 1               |
| 534974-5           |                             | 20          | 30          | 1               |
| 534974-5           |                             | 21          | 30          | 1               |
| 9208A115           |                             | 2           | -70         | 5               |
| 9208A115           |                             | 2           | 70A         | 8               |
| 9208A115           |                             | 3           | 80          | 3               |
| 9208A115           |                             | 4           | -70         | 11              |
| 9208A115           |                             | 4           | 70A         | 14              |
| 9208A115           |                             | 5           | 70          | 18              |
| 9208A115           |                             | 6           | 80          | 3               |
| 9208A115           |                             | 7           | -65         | 2               |
| 9208A115           |                             | 7           | 65A         | 5               |
| 9208A115           |                             | 10          | -65         | 4               |
| 9208A115           |                             | 10          | 65A         | 7               |
| 9208A115           |                             | 11          | -70         | 6               |
| 9208A115           |                             | 11          | 70A         | 9               |
| 9208A115           |                             | 13          | 65          | 3               |
| 9208A115           |                             | 14          | -80         | 3               |
| 9208A115           |                             | 16          | 80          | 3               |
| 9208A115           |                             | 18          | 80          | 3               |
| 9208A115           |                             | 19          | -65         | 6               |
| 9208A115           |                             | 19          | 65A         | 8               |
| 9208A115           |                             | 20          | 80          | 3               |
| 9208-A-115         |                             | 15          | -65         | 2               |
| 9208-A-115         |                             | 15          | 65A         | 5               |
| 9353-0-15-01-18    |                             | 2           | 20          | 36              |
| 9353-0-15-01-18    |                             | 3           | 15          | 14              |
| 9353-0-15-01-18    |                             | 4           | 20          | 64              |
| 9353-0-15-01-18    |                             | 5           | 20          | 90              |
| 9353-0-15-01-18    |                             | 6           | 15          | 14              |
| 9353-0-15-01-18    |                             | 7           | 20          | 22              |
| 9353-0-15-01-18    |                             | 8           | 15          | 14              |
| 9353-0-15-01-18    |                             | 9           | 15          | 14              |
| 9353-0-15-01-18    |                             | 10          | 20          | 30              |
| 9353-0-15-01-18    |                             | 11          | 20          | 38              |
| 9353-0-15-01-18    |                             | 12          | 15          | 14              |
| 9353-0-15-01-18    |                             | 13          | 15          | 28              |
| 9353-0-15-01-18    |                             | 14          | 15          | 14              |
| 9353-0-15-01-18    |                             | 15          | 20          | 22              |
| 9353-0-15-01-18    |                             | 16          | 15          | 14              |
| 9353-0-15-01-18    |                             | 17          | 15          | 14              |
| 9353-0-15-01-18    |                             | 18          | 15          | 14              |
| 9353-0-15-01-18    |                             | 19          | 15          | 36              |
| 9353-0-15-01-18    |                             | 20          | 15          | 14              |
| 9353-0-15-01-18    |                             | 21          | 15          | 14              |

**ROSEMOUNT AEROSPACE INC.  
COMPONENT MAINTENANCE MANUAL  
SERIES 0514K**

**THIS PAGE INTENTIONALLY LEFT BLANK**

ROSEMOUNT AEROSPACE INC.  
COMPONENT MAINTENANCE MANUAL  
SERIES 0514K



IPL Figure 1. Series 0514K Junction Box Assembly - Exploded View

**ROSEMOUNT AEROSPACE INC.  
COMPONENT MAINTENANCE MANUAL  
SERIES 0514K**

| FIG<br>ITEM | PART NUMBER         | AIRLINE<br>PART NO. | NOMENCLATURE<br>1 2 3 4 5 6                                      | EFF.<br>CODE | UNITS<br>PER<br>ASSY |
|-------------|---------------------|---------------------|--|--------------|----------------------|
| 1 - 1       | 0514K1<br>MOD ABCD  |                     | JUNCTION BOX 3 ASSEMBLY  | A            | REF                  |
| -1A         | 0514K2<br>MOD ABCD  |                     | JUNCTION BOX 4 ASSEMBLY  | B            | REF                  |
| -1B         | 0514K3<br>MOD ABCDE |                     | JUNCTION BOX 5 ASSEMBLY  | C            | REF                  |
| -1C         | 0514K4<br>MOD ABCDE |                     | JUNCTION BOX 6 ASSEMBLY  | D            | REF                  |
| 5           | 00514-0076-0001     |                     | • COVER, FRONT, JUNCTION BOX 3                                   | A            | 1                    |
| -5A         | 00514-0076-0002     |                     | • COVER, FRONT, JUNCTION BOX 4                                   | B            | 1                    |
| -5B         | 00514-0076-0003     |                     | • COVER, FRONT, JUNCTION BOX 5                                   | C            | 1                    |
| -5C         | 00514-0076-0004     |                     | • COVER, FRONT, JUNCTION BOX 6                                   | D            | 1                    |
|             |                     |                     | ATTACHING PARTS  |              |                      |
| 10          | FT1900P6-15-2       |                     | • SCREW, CAPTIVE (V58794)<br>(TRUE PART NUMBER: FT1900P-6-1.5-2) |              | 6                    |
|             |                     |                     | ---*---  |              |                      |
| 15          | 00020-2306-0001     |                     | • HANDLE   |              | 1                    |
|             |                     |                     | ATTACHING PARTS  |              |                      |
| 20          | MS24693-C28         |                     | • SCREW, FLATHEAD  |              | 2                    |
|             |                     |                     | ---*---  |              |                      |
| 25          | NAS622-T2           |                     | • HOOK, SUPPORT  |              | 2                    |
|             |                     |                     | ATTACHING PARTS  |              |                      |
| 30          | NAS514P632-8P       |                     | • SCREW, FLATHEAD  |              | 4                    |
| 35          | MS35649-262         |                     | • NUT, HEX   |              | 4                    |
|             |                     |                     | ---*---  |              |                      |
| 40          | 00514-0055-0001     |                     | • DB1 CCA, JUNCTION BOX 3<br>(SUPERSEDED BY ITEM 40C)            | A            | 1                    |
| -40A        | 00514-0055-0002     |                     | • DB1 CCA, JUNCTION BOX 3<br>(SUPERSEDED BY ITEM 40C)            | A            | 1                    |
| -40B        | 00514-0055-0003     |                     | • DB1 CCA, JUNCTION BOX 3<br>(SUPERSEDED BY ITEM 40C)            | A            | 1                    |
| -40C        | 00514-0055-0005     |                     | • DB1 CCA, JUNCTION BOX 3<br>(SUPERSEDES ITEMS 40, 40A AND 40B)  | A            | 1                    |
| -40D        | 00514-0086-0001     |                     | • DB1 CCA, JUNCTION BOX 4<br>(SUPERSEDED BY ITEM 40F)            | B            | 1                    |
| -40E        | 00514-0086-0002     |                     | • DB1 CCA, JUNCTION BOX 4<br>(SUPERSEDED BY ITEM 40F)            | B            | 1                    |
| -40F        | 00514-0086-0005     |                     | • DB1 CCA, JUNCTION BOX 4<br>(SUPERSEDES ITEMS 40D AND 40E)      | B            | 1                    |
| -40G        | 00514-0102-0001     |                     | • DB1 CCA, JUNCTION BOX 5<br>(SUPERSEDED BY ITEM 40J)            | C            | 1                    |

- Item not illustrated

**ROSEMOUNT AEROSPACE INC.  
COMPONENT MAINTENANCE MANUAL  
SERIES 0514K**

| FIG<br>ITEM | PART NUMBER     | AIRLINE<br>PART NO. | NOMENCLATURE<br>1 2 3 4 5 6                                      | EFF.<br>CODE | UNITS<br>PER<br>ASSY |
|-------------|-----------------|---------------------|--|--------------|----------------------|
| -40H        | 00514-0102-0002 |                     | • DB1 CCA, JUNCTION BOX 5<br>(SUPERSEDED BY ITEM 40J)            | C            | 1                    |
| -40I        | 00514-0102-0006 |                     | • DB1 CCA, JUNCTION BOX 5<br>(SUPERSEDED BY ITEM 40J)            | C            | 1                    |
| -40J        | 00514-0102-0007 |                     | • DB1 CCA, JUNCTION BOX 5<br>(SUPERSEDES ITEMS 40G, 40H AND 40I) | C            | 1                    |
| -40K        | 00514-0118-0001 |                     | • DB1 CCA, JUNCTION BOX 6<br>(SUPERSEDED BY ITEM 40M)            | D            | 1                    |
| -40L        | 00514-0118-0003 |                     | • DB1 CCA, JUNCTION BOX 6<br>(SUPERSEDED BY ITEM 40M)            | D            | 1                    |
| -40M        | 00514-0118-0004 |                     | • DB1 CCA, JUNCTION BOX 6<br>(SUPERSEDES ITEMS 40K, 40L)         | D            | 1                    |
| 45          | 00514-0058-0001 |                     | • DB2 CCA, JUNCTION BOX 3<br>(SUPERSEDED BY ITEM 45B)            | A            | 1                    |
| -45A        | 00514-0058-0002 |                     | • DB2 CCA, JUNCTION BOX 3<br>(SUPERSEDED BY ITEM 45B)            | A            | 1                    |
| -45B        | 00514-0058-0005 |                     | • DB2 CCA, JUNCTION BOX 3<br>(SUPERSEDES ITEMS 45 AND 45A)       | A            | 1                    |
| -45C        | 00514-0089-0001 |                     | • DB2 CCA, JUNCTION BOX 4<br>(SUPERSEDED BY ITEM 45E)            | B            | 1                    |
| -45D        | 00514-0089-0002 |                     | • DB2 CCA, JUNCTION BOX 4<br>(SUPERSEDED BY ITEM 45E)            | B            | 1                    |
| -45E        | 00514-0089-0005 |                     | • DB2 CCA, JUNCTION BOX 4<br>(SUPERSEDES ITEMS 45C AND 45D)      | B            | 1                    |
| -45F        | 00514-0105-0001 |                     | • DB2 CCA, JUNCTION BOX 5<br>(SUPERSEDED BY ITEM 45H)            | C            | 1                    |
| -45G        | 00514-0105-0002 |                     | • DB2 CCA, JUNCTION BOX 5<br>(SUPERSEDED BY ITEM 45H)            | C            | 1                    |
| -45H        | 00514-0105-0006 |                     | • DB2 CCA, JUNCTION BOX 5<br>(SUPERSEDES ITEMS 45F AND 45G)      | C            | 1                    |
| -45I        | 00514-0121-0001 |                     | • DB2 CCA, JUNCTION BOX 6<br>(SUPERSEDED BY ITEM 45K)            | D            | 1                    |
| -45J        | 00514-0121-0002 |                     | • DB2 CCA, JUNCTION BOX 6<br>(SUPERSEDED BY ITEM 45K)            | D            | 1                    |
| -45K        | 00514-0121-0004 |                     | • DB2 CCA, JUNCTION BOX 6<br>(SUPERSEDES ITEM 45I AND 45J)       | D            | 1                    |
| 50          | 00514-0061-0001 |                     | • DB3 CCA, JUNCTION BOX 3<br>(SUPERSEDED BY ITEM 50C)            | A            | 1                    |
| -50A        | 00514-0061-0002 |                     | • DB3 CCA, JUNCTION BOX 3<br>(SUPERSEDED BY ITEM 50C)            | A            | 1                    |
| -50B        | 00514-0061-0003 |                     | • DB3 CCA, JUNCTION BOX 3<br>(SUPERSEDED BY ITEM 50C)            | A            | 1                    |
| -50C        | 00514-0061-0005 |                     | • DB3 CCA, JUNCTION BOX 3<br>(SUPERSEDES ITEMS 50, 50A AND 50B)  | A            | 1                    |

- Item not illustrated

**ROSEMOUNT AEROSPACE INC.  
COMPONENT MAINTENANCE MANUAL  
SERIES 0514K**

| FIG<br>ITEM | PART NUMBER     | AIRLINE<br>PART NO. | NOMENCLATURE<br>1 2 3 4 5 6                                      | EFF.<br>CODE | UNITS<br>PER<br>ASSY |
|-------------|-----------------|---------------------|--|--------------|----------------------|
| -50D        | 00514-0092-0001 |                     | • DB3 CCA, JUNCTION BOX 4<br>(SUPERSEDED BY ITEM 50G)            | B            | 1                    |
| -50E        | 00514-0092-0002 |                     | • DB3 CCA, JUNCTION BOX 4<br>(SUPERSEDED BY ITEM 50G)            | B            | 1                    |
| -50F        | 00514-0092-0003 |                     | • DB3 CCA, JUNCTION BOX 4<br>(SUPERSEDED BY ITEM 50G)            | B            | 1                    |
| -50G        | 00514-0092-0005 |                     | • DB3 CCA, JUNCTION BOX 4<br>(SUPERSEDES ITEMS 50D, 50E AND 50F) | B            | 1                    |
| -50H        | 00514-0108-0001 |                     | • DB3 CCA, JUNCTION BOX 5<br>(SUPERSEDED BY ITEM 50J)            | C            | 1                    |
| -50I        | 00514-0108-0002 |                     | • DB3 CCA, JUNCTION BOX 5<br>(SUPERSEDED BY ITEM 50J)            | C            | 1                    |
| -50J        | 00514-0108-0006 |                     | • DB3 CCA, JUNCTION BOX 5<br>(SUPERSEDES ITEMS 50H AND 50I)      | C            | 1                    |
| -50K        | 00514-0124-0001 |                     | • DB3 CCA, JUNCTION BOX 6<br>(SUPERSEDED BY ITEM 50M)            | D            | 1                    |
| -50L        | 00514-0124-0002 |                     | • DB3 CCA, JUNCTION BOX 6<br>(SUPERSEDED BY ITEM 50M)            | D            | 1                    |
| -50M        | 00514-0124-0004 |                     | • DB3 CCA, JUNCTION BOX 6<br>(SUPERSEDES ITEMS 50K AND 50L)      | D            | 1                    |
| 55          | 00514-0064-0001 |                     | • DB4 CCA, JUNCTION BOX 3<br>(SUPERSEDED BY ITEM 55B)            | A            | 1                    |
| -55A        | 00514-0064-0002 |                     | • DB4 CCA, JUNCTION BOX 3<br>(SUPERSEDED BY ITEM 55B)            | A            | 1                    |
| -55B        | 00514-0064-0005 |                     | • DB4 CCA, JUNCTION BOX 3<br>(SUPERSEDES ITEMS 55 AND 55A)       | A            | 1                    |
| -55C        | 00514-0095-0001 |                     | • DB4 CCA, JUNCTION BOX 4<br>(SUPERSEDED BY ITEM 55E)            | B            | 1                    |
| -55D        | 00514-0095-0002 |                     | • DB4 CCA, JUNCTION BOX 4<br>(SUPERSEDED BY ITEM 55E)            | B            | 1                    |
| -55E        | 00514-0095-0005 |                     | • DB4 CCA, JUNCTION BOX 4<br>(SUPERSEDES ITEMS 55C AND 55D)      | B            | 1                    |
| -55F        | 00514-0111-0001 |                     | • DB4 CCA, JUNCTION BOX 5<br>(SUPERSEDED BY ITEM 55H)            | C            | 1                    |
| -55G        | 00514-0111-0002 |                     | • DB4 CCA, JUNCTION BOX 5<br>(SUPERSEDED BY ITEM 55H)            | C            | 1                    |
| -55H        | 00514-0111-0006 |                     | • DB4 CCA, JUNCTION BOX 5<br>(SUPERSEDES ITEM 55F AND 55G)       | C            | 1                    |
| -55I        | 00514-0127-0001 |                     | • DB4 CCA, JUNCTION BOX 6<br>(SUPERSEDED BY ITEM 55K)            | D            | 1                    |
| -55J        | 00514-0127-0002 |                     | • DB4 CCA, JUNCTION BOX 6<br>(SUPERSEDED BY ITEM 55K)            | D            | 1                    |
| -55K        | 00514-0127-0004 |                     | • DB4 CCA, JUNCTION BOX 6<br>(SUPERSEDES ITEMS 55I AND 55J)      | D            | 1                    |

- Item not illustrated

**ROSEMOUNT AEROSPACE INC.  
COMPONENT MAINTENANCE MANUAL  
SERIES 0514K**

| FIG<br>ITEM | PART NUMBER     | AIRLINE<br>PART NO. | NOMENCLATURE<br>1 2 3 4 5 6                                      | EFF.<br>CODE | UNITS<br>PER<br>ASSY |
|-------------|-----------------|---------------------|--|--------------|----------------------|
| 60          | 00514-0067-0001 |                     | • DB5 CCA, JUNCTION BOX 3<br>(SUPERSEDED BY ITEM 60B)            | A            | 1                    |
| -60A        | 00514-0067-0002 |                     | • DB5 CCA, JUNCTION BOX 3<br>(SUPERSEDED BY ITEM 60B)            | A            | 1                    |
| -60B        | 00514-0067-0005 |                     | • DB5 CCA, JUNCTION BOX 3<br>(SUPERSEDES ITEMS 60 AND 60A)       | A            | 1                    |
| -60C        | 00514-0098-0001 |                     | • DB5 CCA, JUNCTION BOX 4<br>(SUPERSEDED BY ITEM 60F)            | B            | 1                    |
| -60D        | 00514-0098-0002 |                     | • DB5 CCA, JUNCTION BOX 4<br>(SUPERSEDED BY ITEM 60F)            | B            | 1                    |
| -60E        | 00514-0098-0003 |                     | • DB5 CCA, JUNCTION BOX 4<br>(SUPERSEDED BY ITEM 60F)            | B            | 1                    |
| -60F        | 00514-0098-0005 |                     | • DB5 CCA, JUNCTION BOX 4<br>(SUPERSEDES ITEMS 60C, 60D AND 60E) | B            | 1                    |
| -60G        | 00514-0114-0001 |                     | • DB5 CCA, JUNCTION BOX 5<br>(SUPERSEDED BY ITEM 60I)            | C            | 1                    |
| -60H        | 00514-0114-0002 |                     | • DB5 CCA, JUNCTION BOX 5<br>(SUPERSEDED BY ITEM 60I)            | C            | 1                    |
| -60I        | 00514-0114-0006 |                     | • DB5 CCA, JUNCTION BOX 5<br>(SUPERSEDES ITEM 60G AND 60H)       | C            | 1                    |
| -60J        | 00514-0130-0001 |                     | • DB5 CCA, JUNCTION BOX 6<br>(SUPERSEDED BY ITEM 60L)            | D            | 1                    |
| -60K        | 00514-0130-0002 |                     | • DB5 CCA, JUNCTION BOX 6<br>(SUPERSEDED BY ITEM 60L)            | D            | 1                    |
| -60L        | 00514-0130-0004 |                     | • DB5 CCA, JUNCTION BOX 6<br>(SUPERSEDES ITEMS 60J AND 60K)      | D            | 1                    |
| 65          | 00514-0075-0001 |                     | • JUNCTION BOX HOUSING<br>ATTACHING PARTS                        |              | 1                    |
| 70          | NAS514P440-5P   |                     | • SCREW, FLATHEAD  |              | 4                    |
| 75          | NAS601-7P       |                     | • SCREW, PANHEAD   |              | 8                    |
| 80          | NAS620-6L       |                     | • WASHER, FLAT<br>---*---  |              | 8                    |
| 85          | 00514-0073-0001 |                     | • BRACKET, MOUNTING, FRONT COVER<br>ATTACHING PARTS              |              | 2                    |
| 90          | NAS514P440-6P   |                     | • SCREW, FLATHEAD<br>---*---                                     |              | 8                    |
| 95          | 00514-0077-0001 |                     | • CHASSIS, JUNCTION BOX  |              | 1                    |
| 100         | 00514-0070-0001 |                     | • FLEX CCA, JUNCTION BOX 3                                       | A            | 1                    |
| -100A       | 00514-0070-0002 |                     | • FLEX CCA, JUNCTION BOX 4                                       | B            | 1                    |
| -100B       | 00514-0070-0003 |                     | • FLEX CCA, JUNCTION BOX 5                                       | C            | 1                    |
| -100C       | 00514-0070-0004 |                     | • FLEX CCA, JUNCTION BOX 6<br>ATTACHING PARTS                    | D            | 1                    |
| 105         | NAS514P440-5P   |                     | • SCREW, FLATHEAD  |              | 6                    |
| 110         | NAS601-7P       |                     | • SCREW, PANHEAD   |              | 2                    |

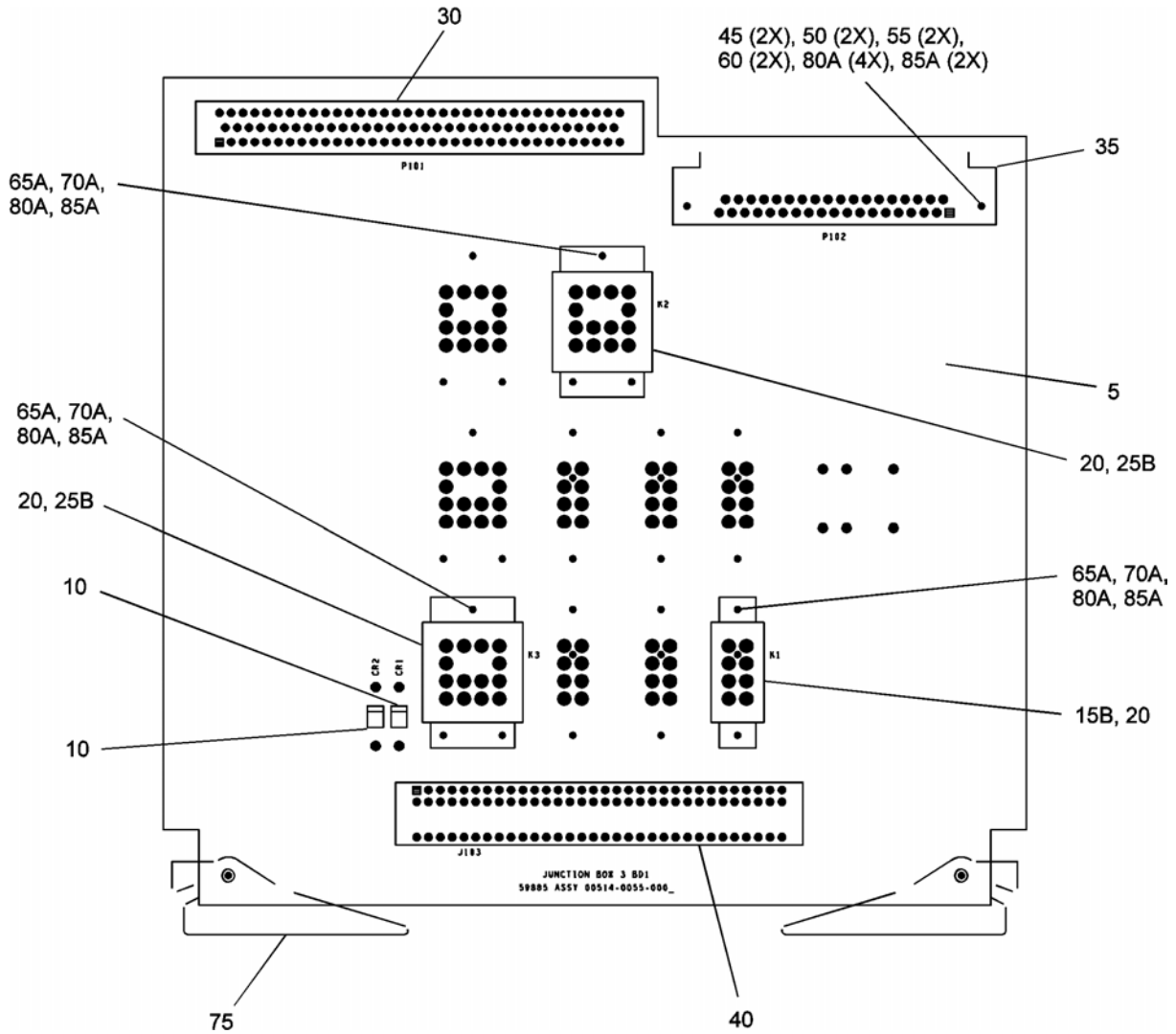
- Item not illustrated

**ROSEMOUNT AEROSPACE INC.  
COMPONENT MAINTENANCE MANUAL  
SERIES 0514K**

| FIG<br>ITEM | PART NUMBER     | AIRLINE<br>PART NO. | NOMENCLATURE<br>1 2 3 4 5 6  | EFF.<br>CODE | UNITS<br>PER<br>ASSY |
|-------------|-----------------|---------------------|--|--------------|----------------------|
| 115         | NAS620-6L       |                     | <ul style="list-style-type: none"> <li>• WASHER, FLAT</li> <li style="text-align: right;">---*---</li> </ul>   |              | 2                    |
| 120         | 00514-0137-0001 |                     | <ul style="list-style-type: none"> <li>• CHANNEL, TOP U-SHAPE, PCB INJ/EJEC</li> <li style="text-align: center;">ATTACHING PARTS</li> </ul>              |              | 1                    |
| 125         | NAS514P440-5P   |                     | <ul style="list-style-type: none"> <li>• SCREW, FLATHEAD</li> <li style="text-align: right;">---*---</li> </ul>  |              | 3                    |
| 130         | 00514-0137-0002 |                     | <ul style="list-style-type: none"> <li>• CHANNEL, BOTTOM, U-SHAPE, PCB INJ/EJEC</li> <li style="text-align: center;">ATTACHING PARTS</li> </ul>          |              | 1                    |
| 135         | NAS514P440-5P   |                     | <ul style="list-style-type: none"> <li>• SCREW, FLATHEAD</li> <li style="text-align: right;">---*---</li> </ul>  |              | 3                    |
| 140         | 00514-0101-0001 |                     | <ul style="list-style-type: none"> <li>• GUIDE, CARD</li> <li style="text-align: center;">ATTACHING PARTS</li> </ul>                                     |              | 10                   |
| 145         | MS20605S3C2     |                     | <ul style="list-style-type: none"> <li>• RIVET, SOLID, BLIND</li> </ul>  |              | 20                   |
| -145A       | 1204-0306       |                     | <ul style="list-style-type: none"> <li>• RIVET, 100 DEG, CSK HEAD (V19738)<br/>(OPT FOR ITEM 145)</li> <li style="text-align: right;">---*---</li> </ul> |              | 20                   |
| 150         | 00514-0327-0004 |                     | <ul style="list-style-type: none"> <li>• NAMEPLATE, JUNCTION BOX</li> </ul>  |              | 1                    |
| 155         | 00514-0140-0004 |                     | <ul style="list-style-type: none"> <li>• LABEL, TEST CONNECTORS<br/>(SUPERCEDES ITEM 155A)</li> </ul>  |              | 1                    |
| -155A       | 00514-0140-0001 |                     | <ul style="list-style-type: none"> <li>• LABEL, TEST CONNECTORS<br/>(SUPERCEDED BY ITEM 155)</li> </ul>  |              | 1                    |

- Item not illustrated

ROSEMOUNT AEROSPACE INC.  
 COMPONENT MAINTENANCE MANUAL  
 SERIES 0514K



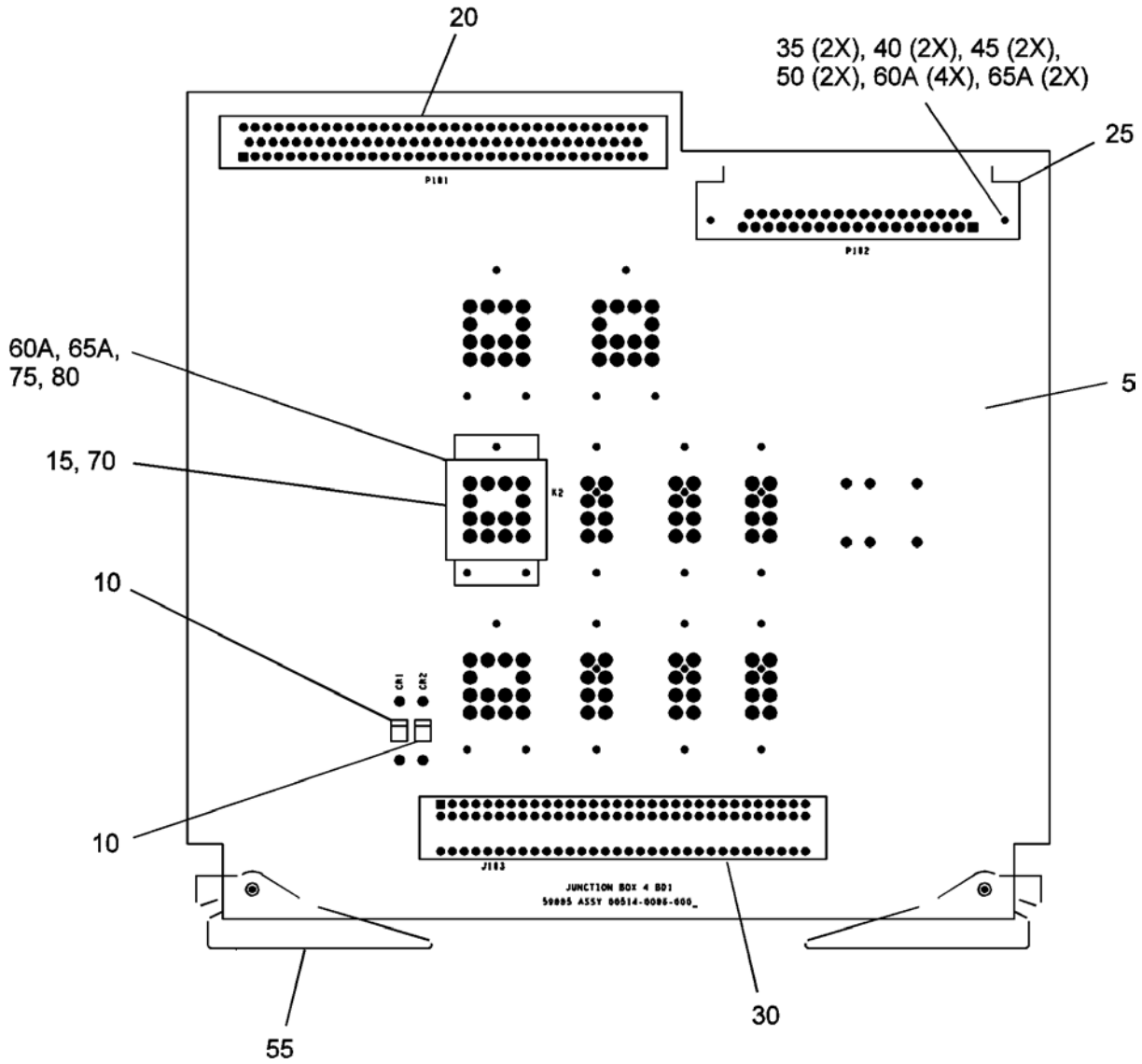
IPL Figure 2. Junction Box 3, DB1 Circuit Card Assembly  
 (Part Number 00514-0055-0005)

**ROSEMOUNT AEROSPACE INC.  
COMPONENT MAINTENANCE MANUAL  
SERIES 0514K**

| FIG<br>ITEM | PART NUMBER     | AIRLINE<br>PART NO. | NOMENCLATURE   |   |   |   |   |   | EFF.<br>CODE | UNITS<br>PER<br>ASSY |
|-------------|-----------------|---------------------|--|---|---|---|---|---|--------------|----------------------|
|             |                 |                     | 1  | 2 | 3 | 4 | 5 | 6 |              |                      |
| 2-1         | 00514-0055-0001 |                     | DB1 CCA, JUNCTION BOX 3<br>(SUPERSEDED BY ITEM 1C)<br>(SEE FIGURE 1 FOR NHA)                     |   |   |   |   |   | A            | REF                  |
| -1A         | 00514-0055-0002 |                     | DB1 CCA, JUNCTION BOX 3<br>(SUPERSEDED BY ITEM 1C)<br>(SEE FIGURE 1 FOR NHA)                     |   |   |   |   |   | B            | REF                  |
| -1B         | 00514-0055-0003 |                     | DB1 CCA, JUNCTION BOX 3<br>(SUPERSEDED BY ITEM 1C)<br>(SEE FIGURE 1 FOR NHA)                     |   |   |   |   |   | C            | REF                  |
| -1C         | 00514-0055-0005 |                     | DB1 CCA, JUNCTION BOX 3<br>(SUPERSEDES ITEMS 1, 1A AND 1B)<br>(SEE FIGURE 1 FOR NHA)             |   |   |   |   |   | D            | REF                  |
| 5           | 00514-0056-0001 |                     | • PWB, DB1, JUNCTION BOX 6   |   |   |   |   |   | A            | 1                    |
| -5A         | 00514-0056-0002 |                     | • PWB, DB1, JUNCTION BOX 6   |   |   |   |   |   | B, C, D      | 1                    |
| 10          | JANTX1N5552     |                     | • DIODE, RECTIFIER   |   |   |   |   |   |              | 2                    |
| -15         | M83536-2-024M   |                     | • RELAY, 28V, 5A, DPDT<br>(SUPERSEDED BY ITEM 15B)<br>(TRUE PART NUMBER: M83536/2-024M)          |   |   |   |   |   | A, B         | 1                    |
| -15A        | YD4N300M        |                     | • RELAY, 5A, DPDT (V58657)<br>(TRUE PART NUMBER: Y-D4N-300M)<br>(OPT FOR ITEM 15)                |   |   |   |   |   | A, B         | 1                    |
| 15B         | TDH2037-2000    |                     | • RELAY, 5A, DPDT (V58657)<br>(SUPERSEDES ITEMS 15 AND 15A)<br>(TRUE PART NUMBER: TDH-2037-2000) |   |   |   |   |   | C, D         | 1                    |
| 20          | 9353-0-15-01-18 |                     | • SOCKET, SPRING (V3N087)<br>(OVERLENGTH PART NUMBER:<br>9353-0-15-01-18-27-10-0)                |   |   |   |   |   |              | 36                   |
| -25         | M83536-6-022M   |                     | • RELAY, 28V, 5A, 4PDT<br>(TRUE PART NUMBER: M83536/6-022M)                                      |   |   |   |   |   | A            | 1                    |
| -25A        | XD4N300M        |                     | • RELAY, 5A, 4PDT, 28V (V58657)<br>(OPT FOR ITEM 25)<br>(TRUE PART NUMBER: X-D4N-300M)           |   |   |   |   |   | A            | 1                    |
| 25B         | M83536-6-022M   |                     | • RELAY, 28V, 5A, 4PDT<br>(TRUE PART NUMBER: M83536/6-022M)                                      |   |   |   |   |   | B, C, D      | 2                    |
| -25C        | XD4N300M        |                     | • RELAY, 5A, 4PDT, 28V (V58657)<br>(OPT FOR ITEM 25B)<br>(TRUE PART NUMBER: X-D4N-300M)          |   |   |   |   |   | B            | 2                    |
| -25D        | YD4N300M        |                     | • RELAY, 5A, 4PDT, 28V (V58657)<br>(OPT FOR ITEM 25B)<br>(TRUE PART NUMBER: Y-D4N-300M)          |   |   |   |   |   | C, D         | 2                    |
| 30          | WG104PR9SY342-1 |                     | • CONNECTOR, PLUG (V10400)   |   |   |   |   |   |              | 1                    |
| 35          | DCM37PD         |                     | • CONNECTOR, D-SUB (V08718)  |   |   |   |   |   |              | 1                    |
| 40          | 534974-5        |                     | • CONNECTOR, RECEPTACLE (V00779)   |   |   |   |   |   | A            | 1                    |
| -40A        | 534974-4        |                     | • CONNECTOR, RECEPTACLE (V00779)   |   |   |   |   |   | B, C, D      | 1                    |
| 45          | MS21042-04      |                     | • NUT  |   |   |   |   |   |              | 2                    |
| 50          | NAS600-5P       |                     | • SCREW  |   |   |   |   |   |              | 2                    |
| 55          | NAS620-4L       |                     | • WASHER   |   |   |   |   |   |              | 2                    |
| 60          | MS51957-15      |                     | • SCREW  |   |   |   |   |   |              | 2                    |
| -65         | MS51957-17      |                     | • SCREW  |   |   |   |   |   | A            | 5                    |
| 65A         | MS51957-17      |                     | • SCREW  |   |   |   |   |   | B, C, D      | 8                    |
| -70         | 9208A115        |                     | • SPACER (V06540)<br>(TRUE PART NUMBER: 9208-A-115)  |   |   |   |   |   | A            | 5                    |
| 70A         | 9208A115        |                     | • SPACER (V06540)<br>(TRUE PART NUMBER: 9208-A-115)  |   |   |   |   |   | B, C, D      | 8                    |
| 75          | 107-50-3        |                     | • EJECTOR (V52094)   |   |   |   |   |   |              | 2                    |
| -80         | NAS620C4L       |                     | • WASHER   |   |   |   |   |   | A            | 9                    |
| 80A         | NAS620C4L       |                     | • WASHER   |   |   |   |   |   | B, C, D      | 12                   |
| -85         | MS21043-04      |                     | • NUT  |   |   |   |   |   | A            | 7                    |
| 85A         | MS21043-04      |                     | • NUT  |   |   |   |   |   | B, C, D      | 10                   |

- Item not illustrated

ROSEMOUNT AEROSPACE INC.  
 COMPONENT MAINTENANCE MANUAL  
 SERIES 0514K



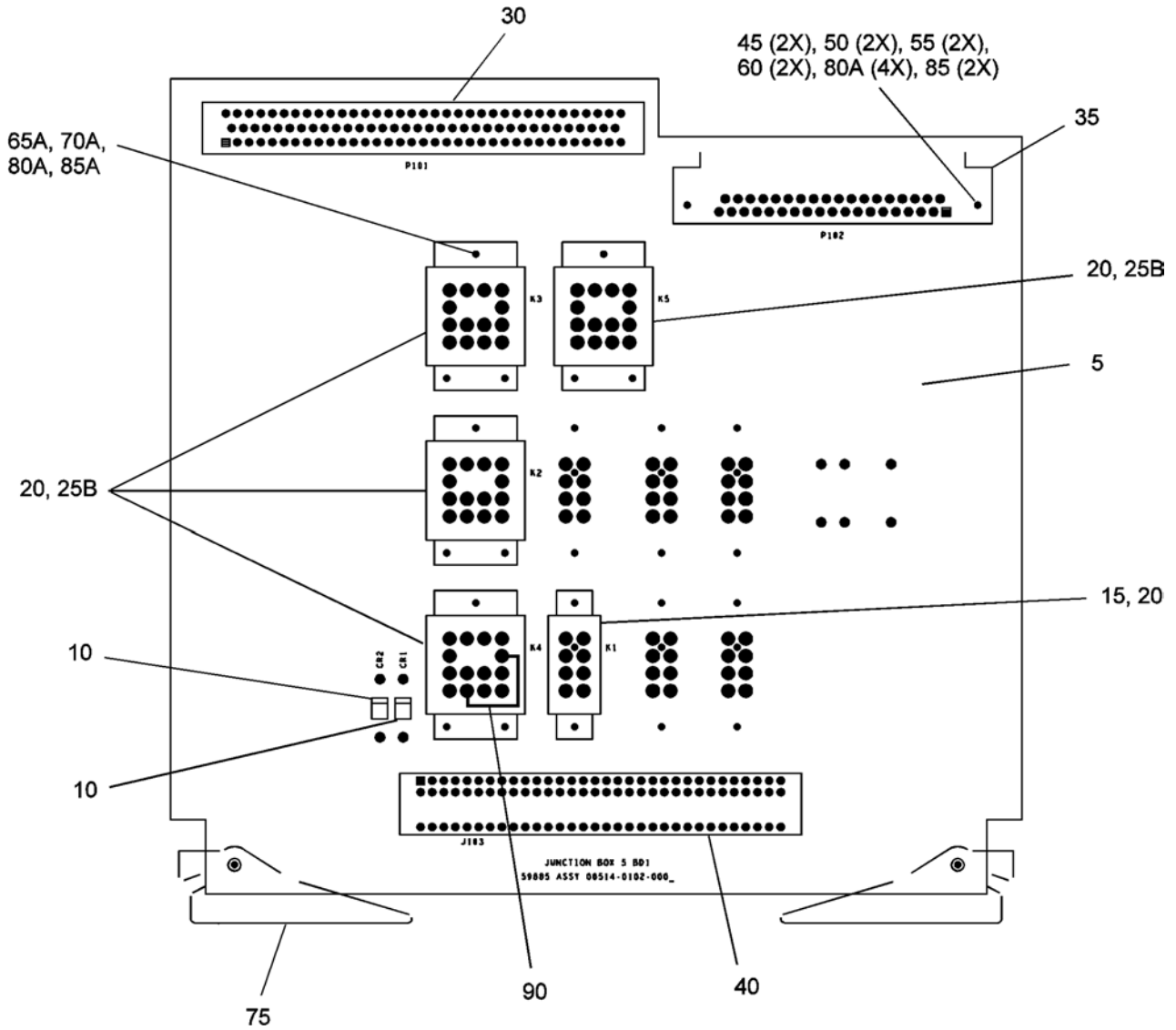
IPL Figure 3. Junction Box 4, DB1 Circuit Card Assembly  
 (Part Number 00514-0086-0005)

**ROSEMOUNT AEROSPACE INC.  
COMPONENT MAINTENANCE MANUAL  
SERIES 0514K**

| FIG<br>ITEM | PART NUMBER     | AIRLINE<br>PART NO. | NOMENCLATURE<br>1 2 3 4 5 6   | EFF.<br>CODE | UNITS<br>PER<br>ASSY |
|-------------|-----------------|---------------------|---|--------------|----------------------|
| 3 -1        | 00514-0086-0001 |                     | DB1 CCA, JUNCTION BOX 4<br>(SUPERSEDED BY ITEM 1B)<br>(SEE FIGURE 1 FOR NHA)      | A            | REF                  |
| -1A         | 00514-0086-0002 |                     | DB1 CCA, JUNCTION BOX 4<br>(SUPERSEDED BY ITEM 1B)<br>(SEE FIGURE 1 FOR NHA)      | B            | REF                  |
| -1B         | 00514-0086-0005 |                     | DB1 CCA, JUNCTION BOX 4<br>(SUPERSEDES ITEMS 1AND 1A)<br>(SEE FIGURE 1 FOR NHA)   | C            | REF                  |
| 5           | 00514-0087-0001 |                     | • PWB, DB1, JUNCTION BOX 6  | A            | 1                    |
| -5A         | 00514-0087-0002 |                     | • PWB, DB1, JUNCTION BOX 6  | B, C         | 1                    |
| 10          | JANTX1N5552     |                     | • DIODE, RECTIFIER  |              | 2                    |
| 15          | 9353-0-15-01-18 |                     | • SOCKET, SPRING (V3N087)<br>(OVERLENGTH PART NUMBER:<br>9353-0-15-01-18-27-10-0) |              | 14                   |
| 20          | WG104PR9SY342-6 |                     | • CONNECTOR, PLUG (V10400)  |              | 1                    |
| 25          | DCM37PD         |                     | • CONNECTOR, D-SUB (V08718)   |              | 1                    |
| 30          | 534974-5        |                     | • CONNECTOR, RECEPTACLE (V00779)  | A            | 1                    |
| -30A        | 534974-4        |                     | • CONNECTOR, RECEPTACLE (V00779)  | B, C         | 1                    |
| 35          | MS21042-04      |                     | • NUT   |              | 2                    |
| 40          | NAS600-5P       |                     | • SCREW   |              | 2                    |
| 45          | NAS620-4L       |                     | • WASHER  |              | 2                    |
| 50          | MS51957-15      |                     | • SCREW   |              | 2                    |
| 55          | 107-50-3        |                     | • EJECTOR (V52094)  |              | 2                    |
| -60         | NAS620C4L       |                     | • WASHER  | A            | 4                    |
| 60A         | NAS620C4L       |                     | • WASHER  | B, C         | 7                    |
| -65         | MS21043-04      |                     | • NUT   | A            | 2                    |
| 65A         | MS21043-04      |                     | • NUT   | B, C         | 5                    |
| 70          | M83536-6-022M   |                     | • RELAY, 28V, 5A, 4PDT<br>(TRUE PART NUMBER: M83536/6-022M)                       | B, C         | 1                    |
| 75          | MS51957-17      |                     | • SCREW   | B, C         | 3                    |
| 80          | 9208A115        |                     | • SPACER (V06540)<br>(TRUE PART NUMBER: 9208-A-115)                               | B, C         | 3                    |

- Item not illustrated

ROSEMOUNT AEROSPACE INC.  
 COMPONENT MAINTENANCE MANUAL  
 SERIES 0514K



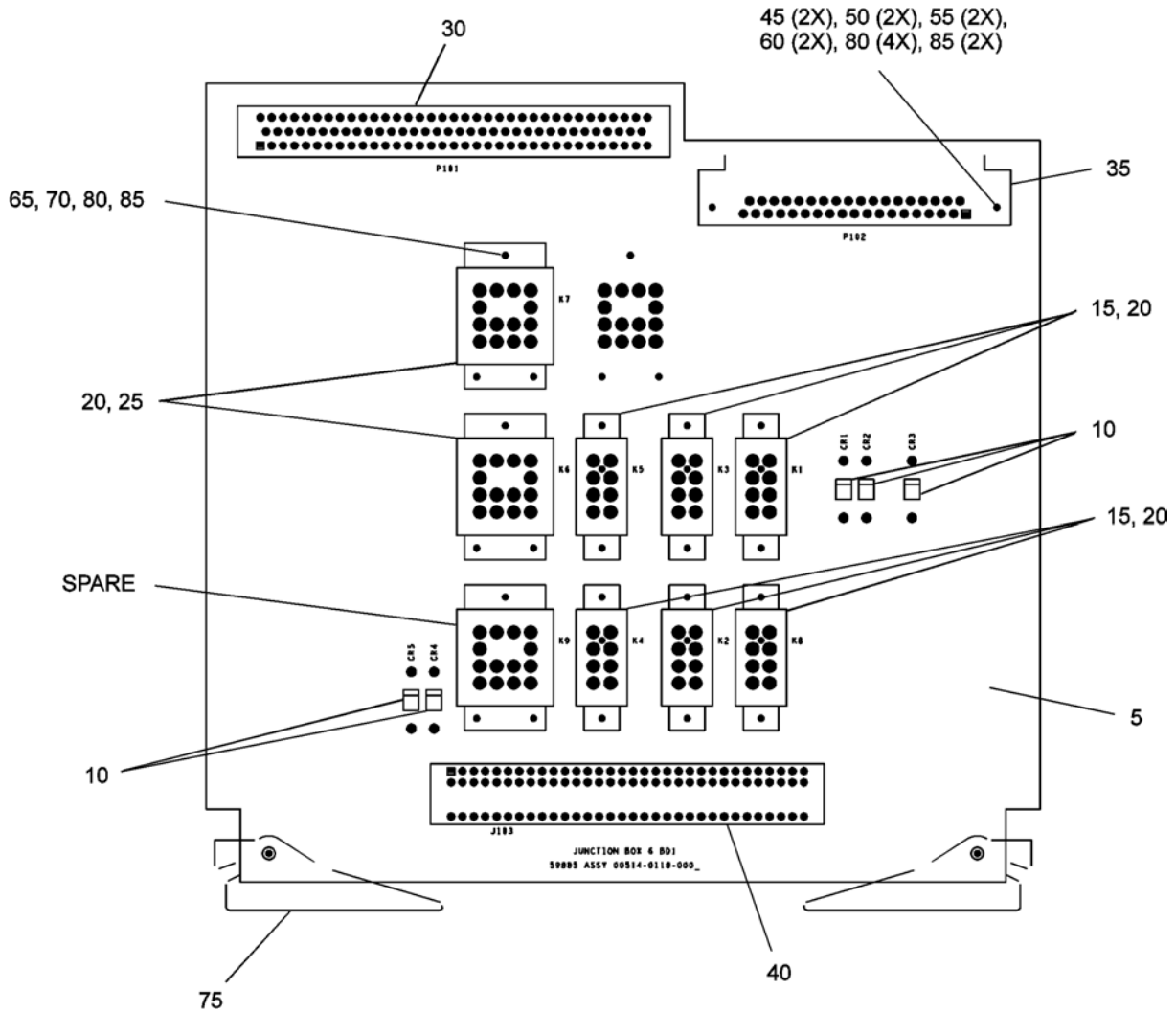
IPL Figure 4. Junction Box 5, DB1 Circuit Card Assembly  
 (Part Number 00514-0102-0007)

**ROSEMOUNT AEROSPACE INC.  
COMPONENT MAINTENANCE MANUAL  
SERIES 0514K**

| FIG<br>ITEM | PART NUMBER     | AIRLINE<br>PART NO. | NOMENCLATURE<br>1 2 3 4 5 6  | EFF.<br>CODE | UNITS<br>PER<br>ASSY |
|-------------|-----------------|---------------------|--|--------------|----------------------|
| 4 -1        | 00514-0102-0001 |                     | DB1 CCA, JUNCTION BOX 5<br>(SUPERSEDED BY ITEM 1C)<br>(SEE FIGURE 1 FOR NHA)           | A            | REF                  |
| -1A         | 00514-0102-0002 |                     | DB1 CCA, JUNCTION BOX 5<br>(SUPERSEDED BY ITEM 1C)<br>(SEE FIGURE 1 FOR NHA)           | B            | REF                  |
| -1B         | 00514-0102-0006 |                     | DB1 CCA, JUNCTION BOX 5<br>(SUPERSEDED BY ITEM 1C)<br>(SEE FIGURE 1 FOR NHA)           | C            | REF                  |
| -1C         | 00514-0102-0007 |                     | DB1 CCA, JUNCTION BOX 5<br>(SUPERSEDES ITEMS 1, 1A AND 1B)<br>(SEE FIGURE 1 FOR NHA)   | D            | REF                  |
| 5           | 00514-0103-0001 |                     | • PWB, DB1, JUNCTION BOX 6   | A, B         | 1                    |
| -5A         | 00514-0103-0002 |                     | • PWB, DB1, JUNCTION BOX 6   | C            | 1                    |
| -5B         | 00514-0103-0003 |                     | • PWB, DB1, JUNCTION BOX 6   | D            | 1                    |
| 10          | JANTX1N5552     |                     | • DIODE, RECTIFIER   |              | 2                    |
| 15          | M83536-2-024M   |                     | • RELAY, 28V, 5A, DPDT<br>(TRUE PART NUMBER: M83536/2-024M)                            |              | 1                    |
| -15A        | YD4N300M        |                     | • RELAY, 5A, DPDT (V58657)<br>(TRUE PART NUMBER: Y-D4N-300M)<br>(OPT FOR ITEM 15)      |              | 1                    |
| 20          | 9353-0-15-01-18 |                     | • SOCKET, SPRING (V3N087)<br>(OVERLENGTH PART NUMBER:<br>9353-0-15-01-18-27-10-0)      |              | 64                   |
| -25         | M83536-6-022M   |                     | • RELAY, 28V, 5A, 4PDT<br>(TRUE PART NUMBER M83536/6-022M)                             | A, C         | 3                    |
| -25A        | XD4N300M        |                     | • RELAY, 5A, 4PDT, 28V (V58657)<br>(TRUE PART NUMBER: X-D4N-300M)<br>(OPT FOR ITEM 25) | B            | 3                    |
| 25B         | M83536-6-022M   |                     | • RELAY, 28V, 5A, 4PDT<br>(TRUE PART NUMBER M83536/6-022M)                             | D            | 4                    |
| 30          | WG104PR9SY34211 |                     | • CONNECTOR, PLUG (V10400)<br>(OVERLENGTH PART NUMBER:<br>WG104PR9SY342-11)            |              | 1                    |
| 35          | DCM37PD         |                     | • CONNECTOR, D-SUB (V08718)  |              | 1                    |
| 40          | 534974-5        |                     | • CONNECTOR, RECEPTACLE (V00779)   | A, B, C      | 1                    |
| -40A        | 534974-4        |                     | • CONNECTOR, RECEPTACLE (V00779)   | D            | 1                    |
| 45          | MS21042-04      |                     | • NUT  |              | 2                    |
| 50          | NAS600-5P       |                     | • SCREW  |              | 2                    |
| 55          | NAS620-4L       |                     | • WASHER   |              | 2                    |
| 60          | MS51957-15      |                     | • SCREW  |              | 2                    |
| -65         | MS51957-17      |                     | • SCREW  | A, B, C      | 11                   |
| 65A         | MS51957-17      |                     | • SCREW  | D            | 14                   |
| -70         | 9208A115        |                     | • SPACER (V06540)<br>(TRUE PART NUMBER: 9208-A-115)                                    | A, B, C      | 11                   |
| 70A         | 9208A115        |                     | • SPACER (V06540)<br>(TRUE PART NUMBER: 9208-A-115)                                    | D            | 14                   |
| 75          | 107-50-3        |                     | • EJECTOR (V52094)   |              | 2                    |
| -80         | NAS620C4L       |                     | • WASHER   | A, B, C      | 15                   |
| 80A         | NAS620C4L       |                     | • WASHER   | D            | 18                   |
| 85          | MS21043-04      |                     | • NUT  |              | 13                   |
| 90          | M818226A22-9    |                     | • WIRE, SLD. INS., JUMPER<br>(TRUE PART NUMBER: M81822/6-A22-9)                        | B            | 1                    |

- Item not illustrated

ROSEMOUNT AEROSPACE INC.  
 COMPONENT MAINTENANCE MANUAL  
 SERIES 0514K



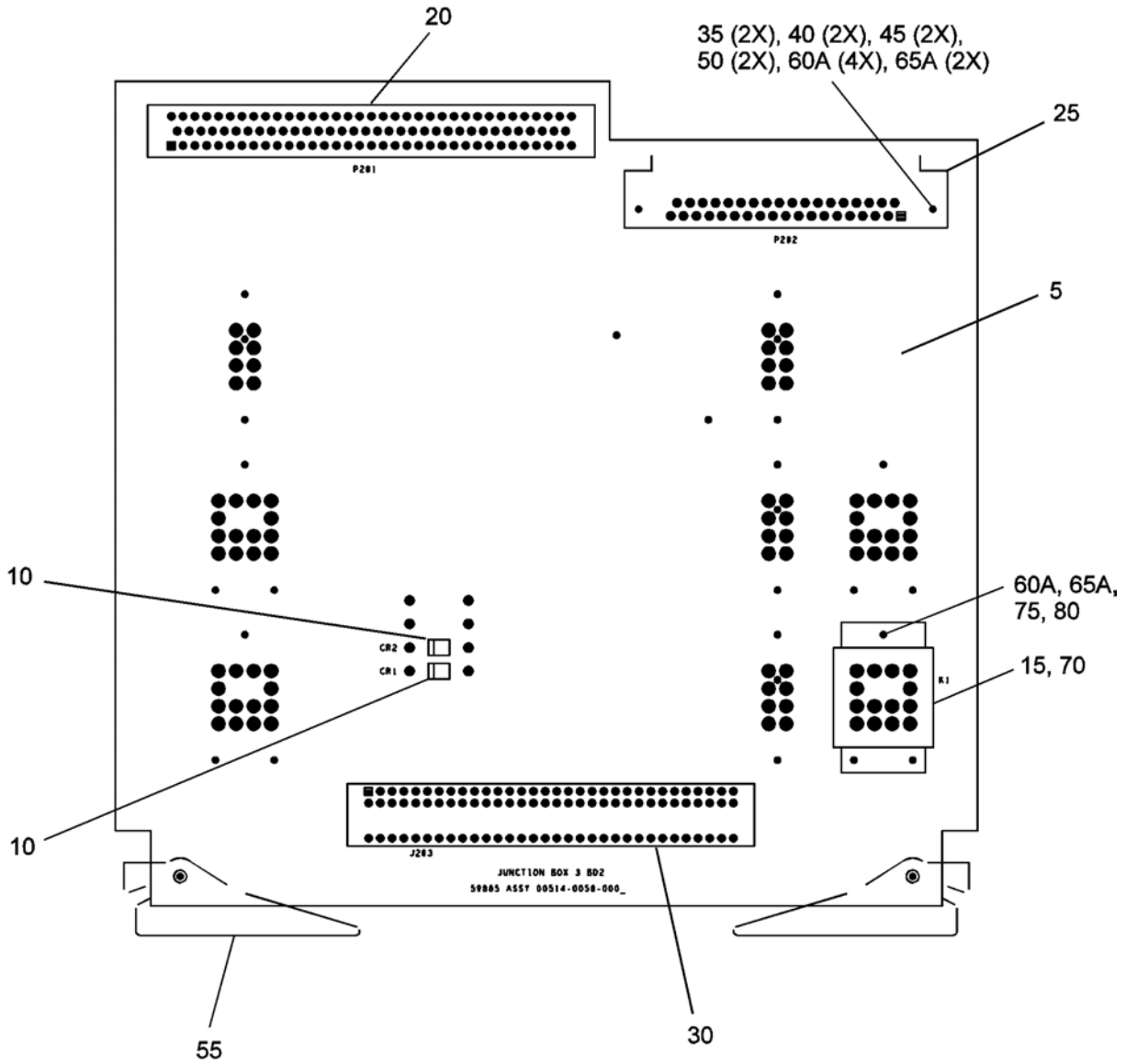
IPL Figure 5. Junction Box 6, DB1 Circuit Card Assembly  
 (Part Number 00514-0118-0004)

**ROSEMOUNT AEROSPACE INC.  
COMPONENT MAINTENANCE MANUAL  
SERIES 0514K**

| FIG<br>ITEM | PART NUMBER     | AIRLINE<br>PART NO. | NOMENCLATURE<br>1 2 3 4 5 6  | EFF.<br>CODE | UNITS<br>PER<br>ASSY |
|-------------|-----------------|---------------------|--|--------------|----------------------|
| 5 - 1       | 00514-0118-0001 |                     | DB1 CCA, JUNCTION BOX 6<br>(SUPERSEDED BY ITEM 1B)<br>(SEE FIGURE 1 FOR NHA)           | A            | REF                  |
| -1A         | 00514-0118-0003 |                     | DB1 CCA, JUNCTION BOX 6<br>(SUPERSEDED BY ITEM 1B)<br>(SEE FIGURE 1 FOR NHA)           | B            | REF                  |
| -1B         | 00514-0118-0004 |                     | DB1 CCA, JUNCTION BOX 6<br>(SUPERSEDES ITEMS 1 AND 1A)<br>(SEE FIGURE 1 FOR NHA)       | C            | REF                  |
| 5           | 00514-0119-0001 |                     | • PWB, DB1, JUNCTION BOX 6   | A            | 1                    |
| -5A         | 00514-0119-0002 |                     | • PWB, DB1, JUNCTION BOX 6   | B            | 1                    |
| -5B         | 00514-0119-0003 |                     | • PWB, DB1, JUNCTION BOX 6   | C            | 1                    |
| 10          | JANTX1N5552     |                     | • DIODE, RECTIFIER   |              | 5                    |
| 15          | M83536-2-024M   |                     | • RELAY, 28V, 5A, DPDT<br>(TRUE PART NUMBER: M83536/2-024M)                            |              | 6                    |
| -15A        | YD4N300M        |                     | • RELAY, 5A, DPDT (V58657)<br>(TRUE PART NUMBER: Y-D4N-300M)<br>(OPT FOR ITEM 15)      |              | 6                    |
| 20          | 9353-0-15-01-18 |                     | • SOCKET, SPRING (V3N087)<br>(OVERLENGTH PART NUMBER:<br>9353-0-15-01-18-27-10-0)      |              | 90                   |
| 25          | M83536-6-022M   |                     | • RELAY, 28V, 5A, 4PDT<br>(TRUE PART NUMBER: M83536/6-022M)                            |              | 2                    |
| -25A        | XD4N300M        |                     | • RELAY, 5A, 4PDT, 28V (V58657)<br>(TRUE PART NUMBER: X-D4N-300M)<br>(OPT FOR ITEM 25) |              | 2                    |
| 30          | WG104PR9SY34216 |                     | • CONNECTOR, PLUG (V10400)<br>(OVERLENGTH PART NUMBER:<br>WG104PR9SY342-16)            |              | 1                    |
| 35          | DCM37PD         |                     | • CONNECTOR, D-SUB (V08718)  |              | 1                    |
| 40          | 534974-5        |                     | • CONNECTOR, RECEPTACLE (V00779)   | A, B         | 1                    |
| -40A        | 534974-4        |                     | • CONNECTOR, RECEPTACLE (V00779)   | C            | 1                    |
| 45          | MS21042-04      |                     | • NUT  |              | 2                    |
| 50          | NAS600-5P       |                     | • SCREW  |              | 2                    |
| 55          | NAS620-4L       |                     | • WASHER   |              | 2                    |
| 60          | MS51957-15      |                     | • SCREW  |              | 2                    |
| 65          | MS51957-17      |                     | • SCREW  |              | 18                   |
| 70          | 9208A115        |                     | • SPACER (V06540)<br>(TRUE PART NUMBER: 9208-A-115)                                    |              | 18                   |
| 75          | 107-50-3        |                     | • EJECTOR (V52094)   |              | 2                    |
| 80          | NAS620C4L       |                     | • WASHER   |              | 22                   |
| 85          | MS21043-04      |                     | • NUT  |              | 20                   |

- Item not illustrated

ROSEMOUNT AEROSPACE INC.  
 COMPONENT MAINTENANCE MANUAL  
 SERIES 0514K



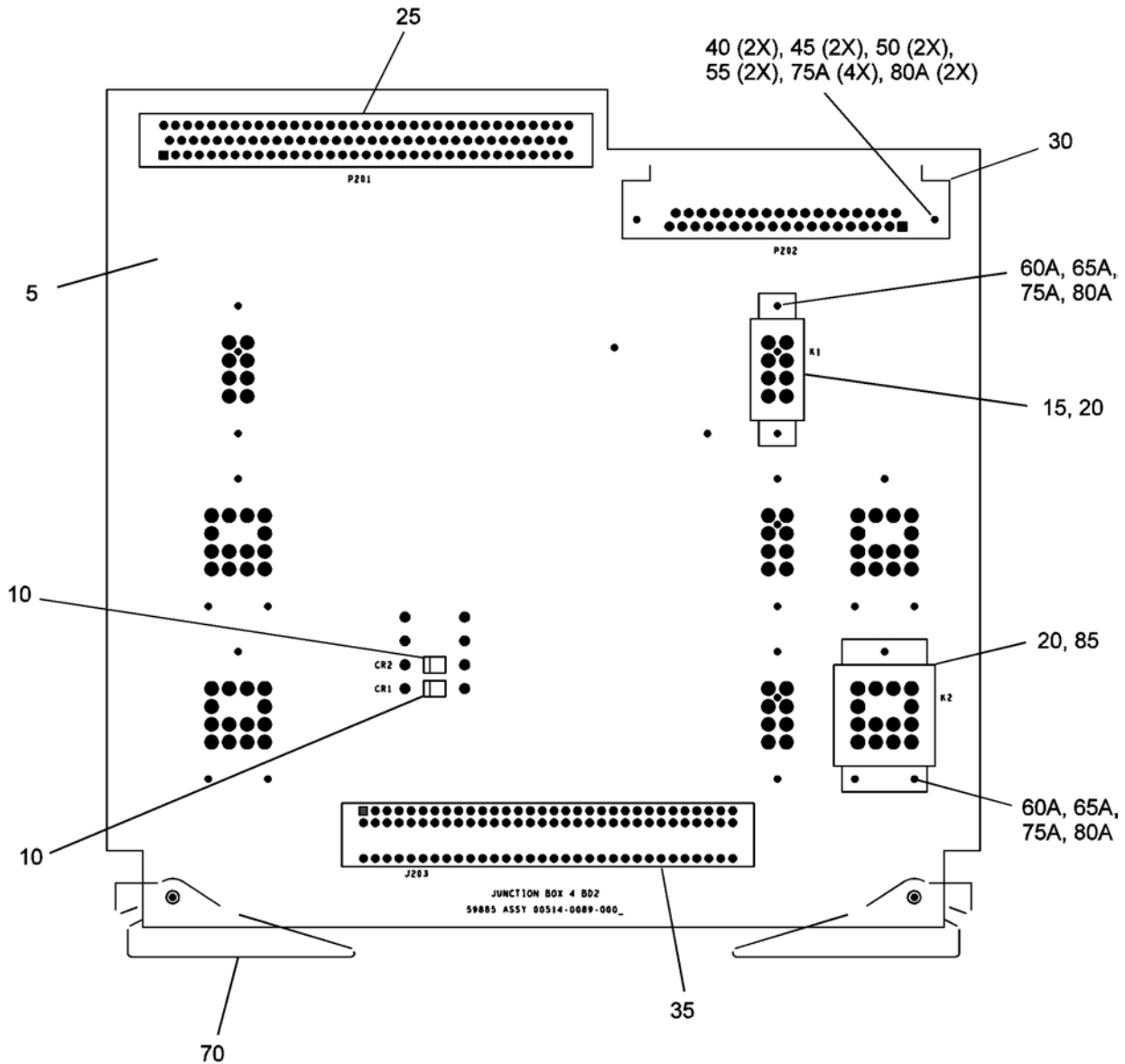
IPL Figure 6. Junction Box 3, DB2 Circuit Card Assembly  
 (Part Number 00514-0058-0005)

**ROSEMOUNT AEROSPACE INC.  
COMPONENT MAINTENANCE MANUAL  
SERIES 0514K**

| FIG<br>ITEM | PART NUMBER     | AIRLINE<br>PART NO. | NOMENCLATURE<br>1 2 3 4 5 6  | EFF.<br>CODE | UNITS<br>PER<br>ASSY |
|-------------|-----------------|---------------------|--|--------------|----------------------|
| 6 -1        | 00514-0058-0001 |                     | DB2 CCA, JUNCTION BOX 3<br>(SUPERSEDED BY ITEM 1B)<br>(SEE FIGURE 1 FOR NHA)           | A            | REF                  |
| -1A         | 00514-0058-0002 |                     | DB2 CCA, JUNCTION BOX 3<br>(SUPERSEDED BY ITEM 1B)<br>(SEE FIGURE 1 FOR NHA)           | B            | REF                  |
| -1B         | 00514-0058-0005 |                     | DB2 CCA, JUNCTION BOX 3<br>(SUPERSEDES ITEMS 1 AND 1A)<br>(SEE FIGURE 1 FOR NHA)       | C            | REF                  |
| 5           | 00514-0059-0001 |                     | • PWB, DB2, JUNCTION BOX 6   | A            | 1                    |
| -5A         | 00514-0059-0002 |                     | • PWB, DB2, JUNCTION BOX 6   | B, C         | 1                    |
| 10          | JANTX1N5552     |                     | • DIODE, RECTIFIER   |              | 2                    |
| 15          | 9353-0-15-01-18 |                     | • SOCKET, SPRING (V3N087)<br>(OVERLENGTH PART NUMBER:<br>9353-0-15-01-18-27-10-0)      |              | 14                   |
| 20          | WG104PR9SY342-2 |                     | • CONNECTOR, PLUG (V10400)   |              | 1                    |
| 25          | DCM37PD         |                     | • CONNECTOR, D-SUB (V08718)  |              | 1                    |
| 30          | 534974-5        |                     | • CONNECTOR, RECEPTACLE (V00779)   | A            | 1                    |
| -30A        | 534974-4        |                     | • CONNECTOR, RECEPTACLE (V00779)   | B, C         | 1                    |
| 35          | MS21042-04      |                     | • NUT  |              | 2                    |
| 40          | NAS600-5P       |                     | • SCREW  |              | 2                    |
| 45          | NAS620-4L       |                     | • WASHER   |              | 2                    |
| 50          | MS51957-15      |                     | • SCREW  |              | 2                    |
| 55          | 107-50-3        |                     | • EJECTOR (V52094)   |              | 2                    |
| -60         | NAS620C4L       |                     | • WASHER   | A            | 4                    |
| 60A         | NAS620C4L       |                     | • WASHER   | B, C         | 7                    |
| -65         | MS21043-04      |                     | • NUT  | A            | 2                    |
| 65A         | MS21043-04      |                     | • NUT  | B, C         | 5                    |
| 70          | M83536-6-022M   |                     | • RELAY, 28V, 5A, 4PDT<br>(TRUE PART NUMBER: M83536/6-022M)                            | B, C         | 1                    |
| -70A        | XD4N300M        |                     | • RELAY, 5A, 4PDT, 28V (V58657)<br>(TRUE PART NUMBER: X-D4N-300M)<br>(OPT FOR ITEM 70) | B, C         | 1                    |
| 75          | MS51957-17      |                     | • SCREW  | B, C         | 3                    |
| 80          | 9208A115        |                     | • SPACER (V06540)<br>(TRUE PART NUMBER: 9208-A-115)                                    | B, C         | 3                    |

- Item not illustrated

ROSEMOUNT AEROSPACE INC.  
 COMPONENT MAINTENANCE MANUAL  
 SERIES 0514K



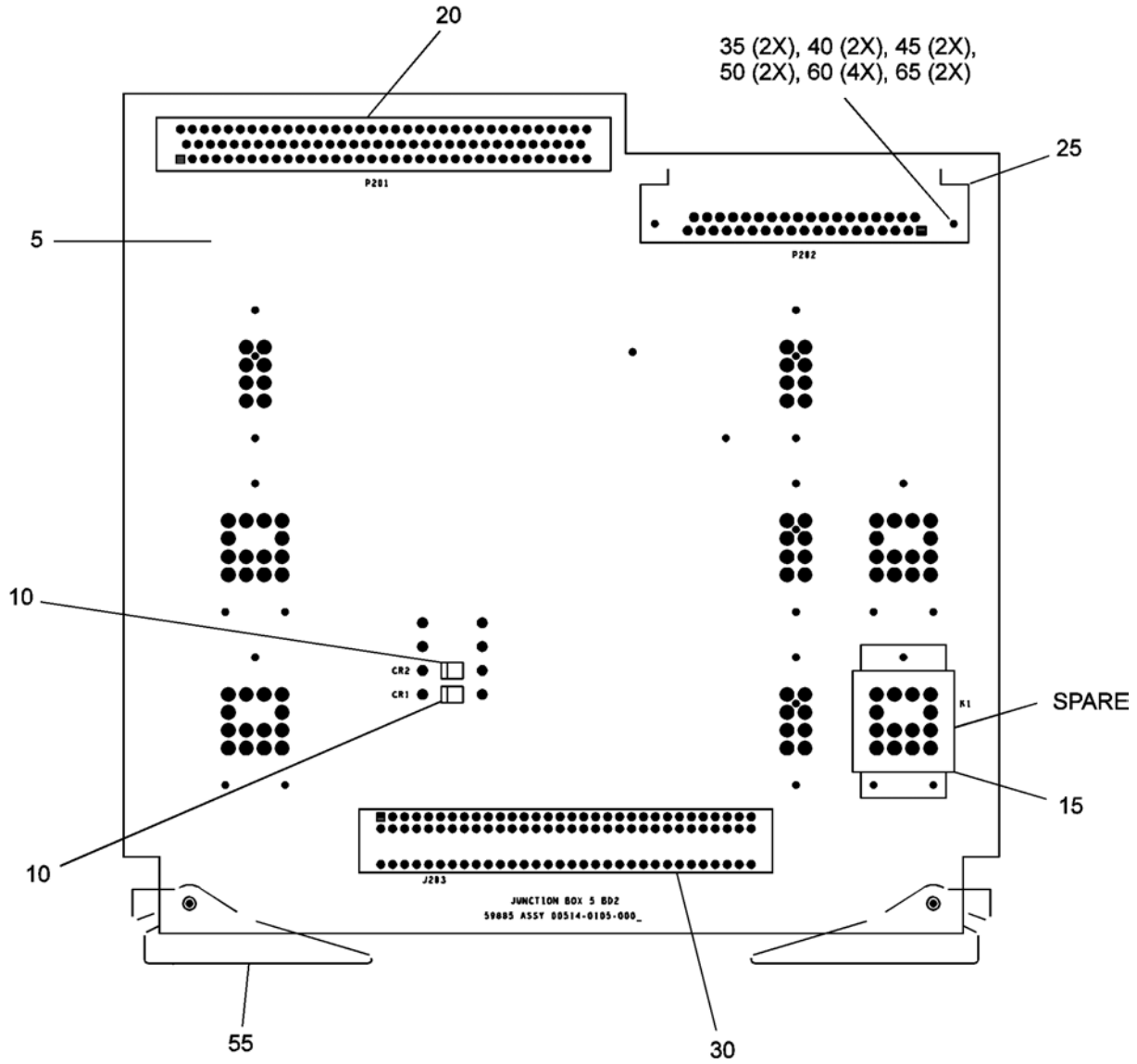
IPL Figure 7. Junction Box 4, DB2 Circuit Card Assembly  
 (Part Number 00514-0089-0005)

**ROSEMOUNT AEROSPACE INC.  
COMPONENT MAINTENANCE MANUAL  
SERIES 0514K**

| FIG<br>ITEM | PART NUMBER     | AIRLINE<br>PART NO. | NOMENCLATURE<br>1 2 3 4 5 6  | EFF.<br>CODE | UNITS<br>PER<br>ASSY |
|-------------|-----------------|---------------------|--|--------------|----------------------|
|             |                 |                     |  |              |                      |
| 7 -1        | 00514-0089-0001 |                     | DB2 CCA, JUNCTION BOX 4<br>(SUPERSEDED BY ITEM 1B)<br>(SEE FIGURE 1 FOR NHA)           | A            | REF                  |
| -1A         | 00514-0089-0002 |                     | DB2 CCA, JUNCTION BOX 4<br>(SUPERSEDED BY ITEM 1B)<br>(SEE FIGURE 1 FOR NHA)           | B            | REF                  |
| -1B         | 00514-0089-0005 |                     | DB2 CCA, JUNCTION BOX 4<br>(SUPERSEDES ITEMS 1 AND 1A)<br>(SEE FIGURE 1 FOR NHA)       | C            | REF                  |
| 5           | 00514-0090-0001 |                     | • PWB, DB2, JUNCTION BOX 6   | A            | 1                    |
| -5A         | 00514-0090-0002 |                     | • PWB, DB2, JUNCTION BOX 6   | B, C         | 1                    |
| 10          | JANTX1N5552     |                     | • DIODE, RECTIFIER   |              | 2                    |
| 15          | M83536-2-024M   |                     | • RELAY, 28V, 5A, DPDT<br>(TRUE PART NUMBER: M83536/2-024M)                            |              | 1                    |
| -15A        | YD4N300M        |                     | • RELAY, 5A, DPDT (V58657)<br>(TRUE PART NUMBER: Y-D4N-300M)<br>(OPT FOR ITEM 15)      |              | 1                    |
| 20          | 9353-0-15-01-18 |                     | • SOCKET, SPRING (V3N087)<br>(OVERLENGTH PART NUMBER:<br>9353-0-15-01-18-27-10-0)      |              | 22                   |
| 25          | WG104PR9SY342-7 |                     | • CONNECTOR, PLUG (V10400)   |              | 1                    |
| 30          | DCM37PD         |                     | • CONNECTOR, D-SUB (V08718)  |              | 1                    |
| 35          | 534974-5        |                     | • CONNECTOR, RECEPTACLE (V00779)   | A            | 1                    |
| -35A        | 534974-4        |                     | • CONNECTOR, RECEPTACLE (V00779)   | B, C         | 1                    |
| 40          | MS21042-04      |                     | • NUT  |              | 2                    |
| 45          | NAS600-5P       |                     | • SCREW  |              | 2                    |
| 50          | NAS620-4L       |                     | • WASHER   |              | 2                    |
| 55          | MS51957-15      |                     | • SCREW  |              | 2                    |
| -60         | MS51957-17      |                     | • SCREW  | A            | 2                    |
| 60A         | MS51957-17      |                     | • SCREW  | B, C         | 5                    |
| -65         | 9208A115        |                     | • SPACER (V06540)<br>(TRUE PART NUMBER: 9208-A-115)                                    | A            | 2                    |
| 65A         | 9208A115        |                     | • SPACER (V06540)<br>(TRUE PART NUMBER: 9208-A-115)                                    | B, C         | 5                    |
| 70          | 107-50-3        |                     | • EJECTOR (V52094)   |              | 2                    |
| -75         | NAS620C4L       |                     | • WASHER   | A            | 6                    |
| 75A         | NAS620C4L       |                     | • WASHER   | B, C         | 9                    |
| -80         | MS21043-04      |                     | • NUT  | A            | 4                    |
| 80A         | MS21043-04      |                     | • NUT  | B, C         | 7                    |
| 85          | M83536-6-022M   |                     | • RELAY, 28V, 5A, 4PDT<br>(TRUE PART NUMBER: M83536/6-022M)                            | B, C         | 1                    |
| -85A        | XD4N300M        |                     | • RELAY, 5A, 4PDT, 28V (V58657)<br>(TRUE PART NUMBER: X-D4N-300M)<br>(OPT FOR ITEM 85) | B, C         | 1                    |

- Item not illustrated

ROSEMOUNT AEROSPACE INC.  
 COMPONENT MAINTENANCE MANUAL  
 SERIES 0514K



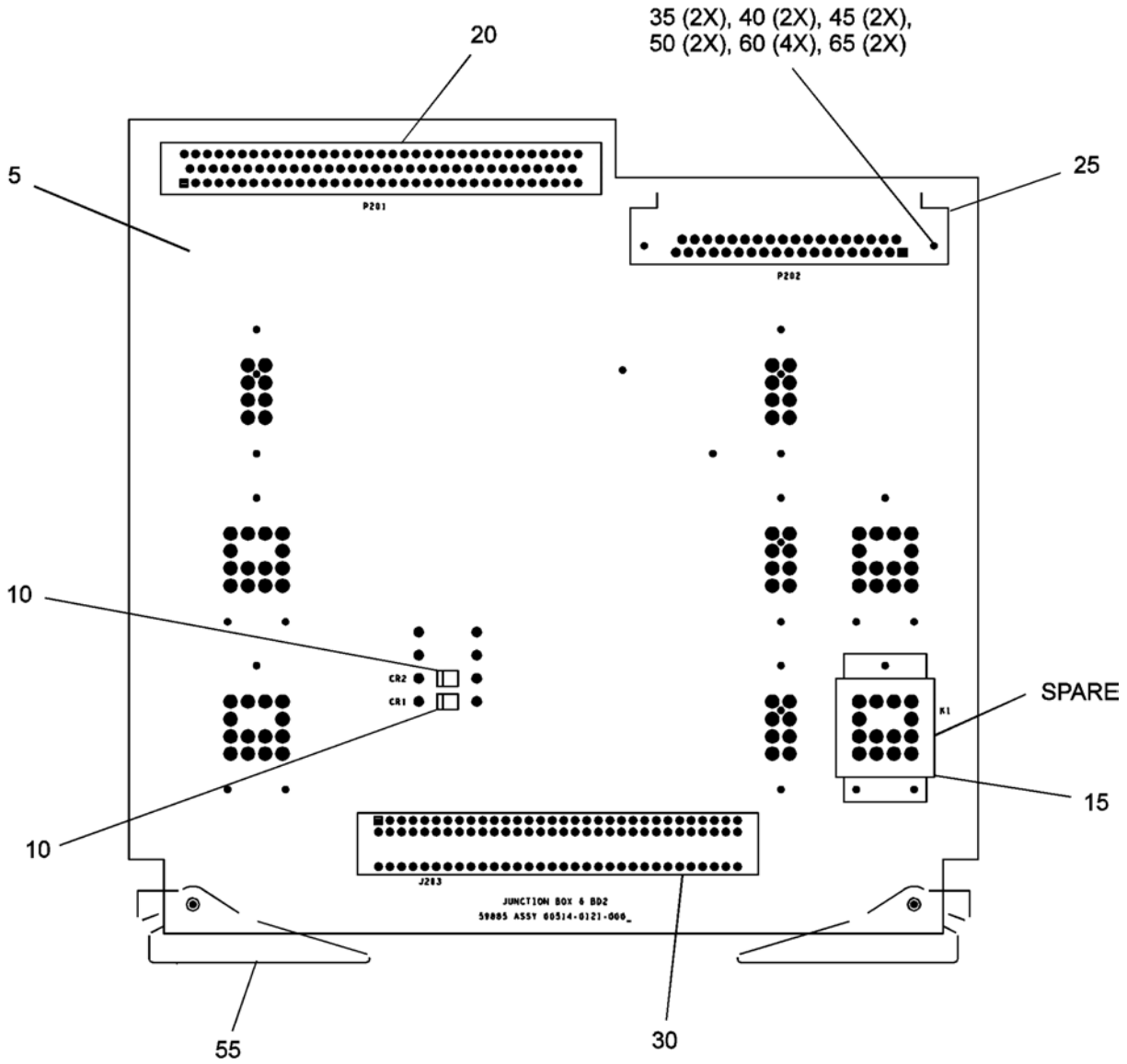
IPL Figure 8. Junction Box 5, DB2 Circuit Card Assembly  
 (Part Number 00514-0105-0006)

**ROSEMOUNT AEROSPACE INC.  
COMPONENT MAINTENANCE MANUAL  
SERIES 0514K**

| FIG<br>ITEM | PART NUMBER     | AIRLINE<br>PART NO. | NOMENCLATURE<br>1 2 3 4 5 6   | EFF.<br>CODE | UNITS<br>PER<br>ASSY |
|-------------|-----------------|---------------------|---|--------------|----------------------|
| 8 -1        | 00514-0105-0001 |                     | DB2 CCA, JUNCTION BOX 5<br>(SUPERSEDED BY ITEM 1B)<br>(SEE FIGURE 1 FOR NHA)      | A            | REF                  |
| -1A         | 00514-0105-0002 |                     | DB2 CCA, JUNCTION BOX 5<br>(SUPERSEDED BY ITEM 1B)<br>(SEE FIGURE 1 FOR NHA)      | B            | REF                  |
| -1B         | 00514-0105-0006 |                     | DB2 CCA, JUNCTION BOX 5<br>(SUPERSEDES ITEMS 1 AND 1A)<br>(SEE FIGURE 1 FOR NHA)  | C            | REF                  |
| 5           | 00514-0106-0001 |                     | • PWB, DB2, JUNCTION BOX 6  | A            | 1                    |
| -5A         | 00514-0106-0002 |                     | • PWB, DB2, JUNCTION BOX 6  | B, C         | 1                    |
| 10          | JANTX1N5552     |                     | • DIODE, RECTIFIER  |              | 2                    |
| 15          | 9353-0-15-01-18 |                     | • SOCKET, SPRING (V3N087)<br>(OVERLENGTH PART NUMBER:<br>9353-0-15-01-18-27-10-0) |              | 14                   |
| 20          | WG104PR9SY34212 |                     | • CONNECTOR, PLUG (V10400)<br>(OVERLENGTH PART NUMBER:<br>WG104PR9SY342-12)       |              | 1                    |
| 25          | DCM37PD         |                     | • CONNECTOR, D-SUB (V08718)   |              | 1                    |
| 30          | 534974-5        |                     | • CONNECTOR, RECEPTACLE (V00779)  | A            | 1                    |
| -30A        | 534974-4        |                     | • CONNECTOR, RECEPTACLE (V00779)  | B, C         | 1                    |
| 35          | MS21042-04      |                     | • NUT   |              | 2                    |
| 40          | NAS600-5P       |                     | • SCREW   |              | 2                    |
| 45          | NAS620-4L       |                     | • WASHER  |              | 2                    |
| 50          | MS51957-15      |                     | • SCREW   |              | 2                    |
| 55          | 107-50-3        |                     | • EJECTOR (V52094)  |              | 2                    |
| 60          | NAS620C4L       |                     | • WASHER  |              | 4                    |
| 65          | MS21043-04      |                     | • NUT   |              | 2                    |

- Item not illustrated

ROSEMOUNT AEROSPACE INC.  
 COMPONENT MAINTENANCE MANUAL  
 SERIES 0514K



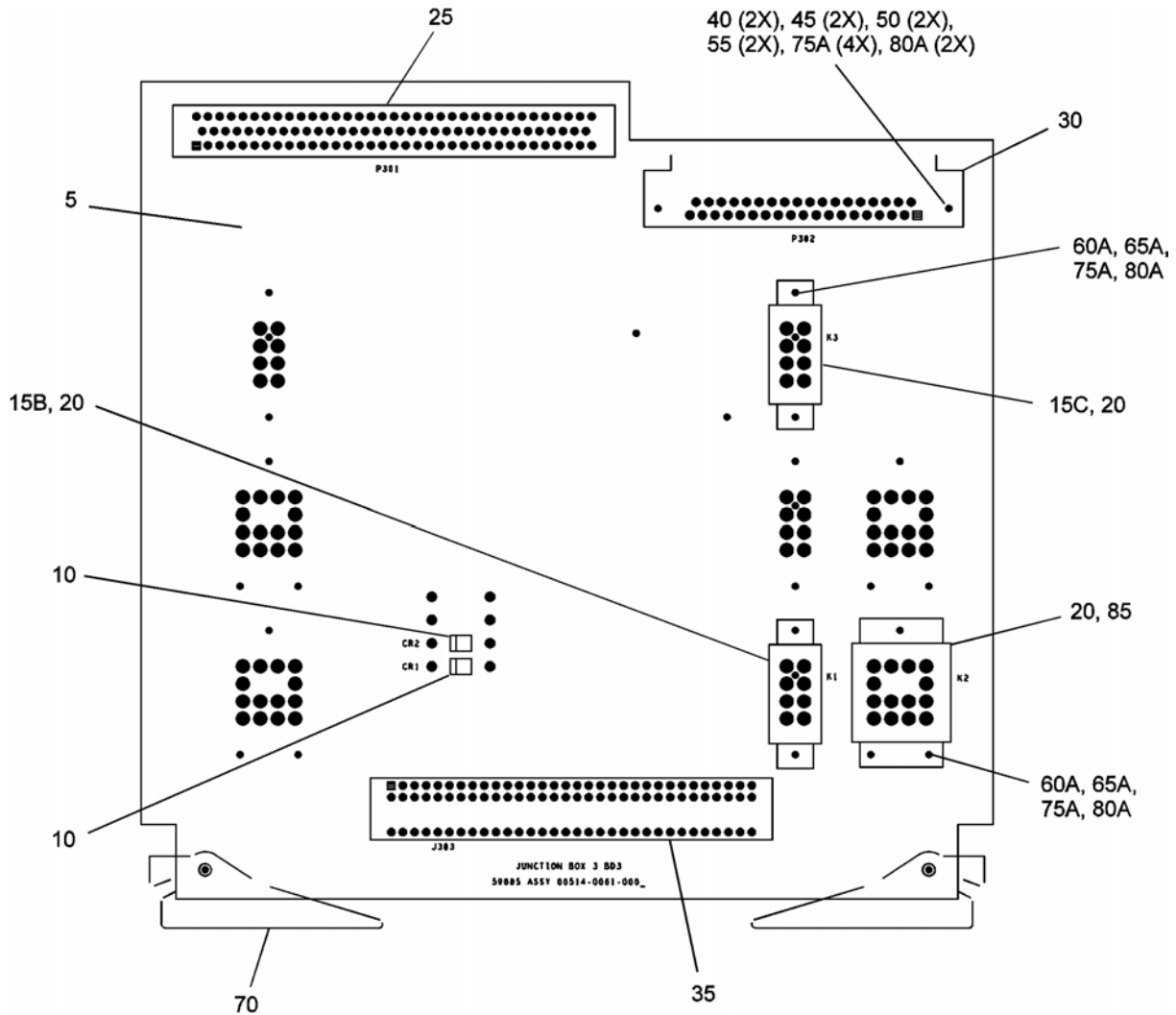
IPL Figure 9. Junction Box 6, DB2 Circuit Card Assembly  
 (Part Number 00514-0121-0004)

**ROSEMOUNT AEROSPACE INC.  
COMPONENT MAINTENANCE MANUAL  
SERIES 0514K**

| FIG<br>ITEM | PART NUMBER     | AIRLINE<br>PART NO. | NOMENCLATURE<br>1 2 3 4 5 6   | EFF.<br>CODE | UNITS<br>PER<br>ASSY |
|-------------|-----------------|---------------------|---|--------------|----------------------|
| 9 -1        | 00514-0121-0001 |                     | DB2 CCA, JUNCTION BOX 6<br>(SUPERSEDED BY ITEM 1B)<br>(SEE FIGURE 1 FOR NHA)      | A            | REF                  |
| -1A         | 00514-0121-0002 |                     | DB2 CCA, JUNCTION BOX 6<br>(SUPERSEDED BY ITEM 1B)<br>(SEE FIGURE 1 FOR NHA)      | B            | REF                  |
| -1B         | 00514-0121-0004 |                     | DB2 CCA, JUNCTION BOX 6<br>(SUPERSEDES ITEMS 1 AND 1A)<br>(SEE FIGURE 1 FOR NHA)  | C            | REF                  |
| 5           | 00514-0122-0001 |                     | • PWB, DB2, JUNCTION BOX 6  | A            | 1                    |
| -5A         | 00514-0122-0002 |                     | • PWB, DB2, JUNCTION BOX 6  | B, C         | 1                    |
| 10          | JANTX1N5552     |                     | • DIODE, RECTIFIER  |              | 2                    |
| 15          | 9353-0-15-01-18 |                     | • SOCKET, SPRING (V3N087)<br>(OVERLENGTH PART NUMBER:<br>9353-0-15-01-18-27-10-0) |              | 14                   |
| 20          | WG104PR9SY34217 |                     | • CONNECTOR, PLUG (V10400)<br>(OVERLENGTH PART NUMBER:<br>WG104PR9SY342-17)       |              | 1                    |
| 25          | DCM37PD         |                     | • CONNECTOR, D-SUB (V08718)   |              | 1                    |
| 30          | 534974-5        |                     | • CONNECTOR, RECEPTACLE (V00779)  | A            | 1                    |
| -30A        | 534974-4        |                     | • CONNECTOR, RECEPTACLE (V00779)  | B, C         | 1                    |
| 35          | MS21042-04      |                     | • NUT   |              | 2                    |
| 40          | NAS600-5P       |                     | • SCREW   |              | 2                    |
| 45          | NAS620-4L       |                     | • WASHER  |              | 2                    |
| 50          | MS51957-15      |                     | • SCREW   |              | 2                    |
| 55          | 107-50-3        |                     | • EJECTOR (V52094)  |              | 2                    |
| 60          | NAS620C4L       |                     | • WASHER  |              | 4                    |
| 65          | MS21043-04      |                     | • NUT   |              | 2                    |

- Item not illustrated

ROSEMOUNT AEROSPACE INC.  
 COMPONENT MAINTENANCE MANUAL  
 SERIES 0514K



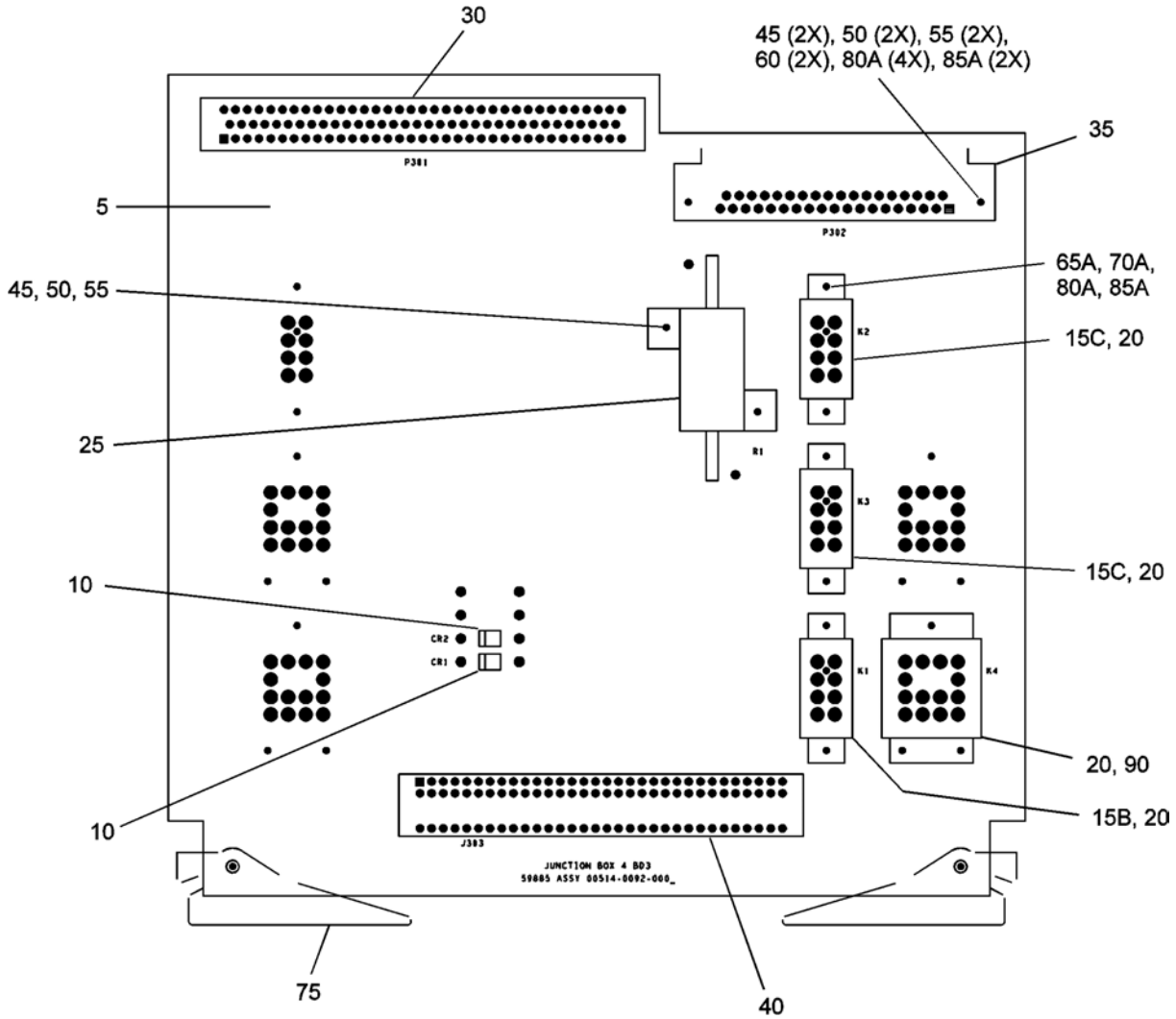
IPL Figure 10. Junction Box 3, DB3 Circuit Card Assembly  
 (Part Number 00514-0061-0005)

**ROSEMOUNT AEROSPACE INC.  
COMPONENT MAINTENANCE MANUAL  
SERIES 0514K**

| FIG<br>ITEM | PART NUMBER     | AIRLINE<br>PART NO. | NOMENCLATURE<br>1 2 3 4 5 6   | EFF.<br>CODE | UNITS<br>PER<br>ASSY |
|-------------|-----------------|---------------------|---|--------------|----------------------|
| 10 -1       | 00514-0061-0001 |                     | DB3 CCA, JUNCTION BOX 3<br>(SUPERSEDED BY ITEM 1C)<br>(SEE FIGURE 1 FOR NHA)          | A            | REF                  |
| -1A         | 00514-0061-0002 |                     | DB3 CCA, JUNCTION BOX 3<br>(SUPERSEDED BY ITEM 1C)<br>(SEE FIGURE 1 FOR NHA)          | B            | REF                  |
| -1B         | 00514-0061-0003 |                     | DB3 CCA, JUNCTION BOX 3<br>(SUPERSEDED BY ITEM 1C)<br>(SEE FIGURE 1 FOR NHA)          | C            | REF                  |
| -1C         | 00514-0061-0005 |                     | DB3 CCA, JUNCTION BOX 3<br>(SUPERSEDES ITEMS 1, 1A AND 1B)<br>(SEE FIGURE 1 FOR NHA)  | D            | REF                  |
| 5           | 00514-0062-0001 |                     | • PWB, DB3, JUNCTION BOX 6  | A            | 1                    |
| -5A         | 00514-0062-0002 |                     | • PWB, DB3, JUNCTION BOX 6  | B, C, D      | 1                    |
| 10          | JANTX1N5552     |                     | • DIODE, RECTIFIER  |              | 2                    |
| 15          | M83536-2-024M   |                     | • RELAY, 28V, 5A, DPDT<br>(TRUE PART NUMBER M83536/2-024M)                            | A, B         | 2                    |
| -15A        | YD4N300M        |                     | • RELAY, 5A, DPDT (V58657)<br>(TRUE PART NUMBER: X-D4N-300M)<br>(OPT FOR ITEM 15)     | A, B         | 2                    |
| 15B         | TDH2038-5000    |                     | • RELAY, 5A, DPDT (V58657)<br>(TRUE PART NUMBER: TDH-2038-5000)                       | C, D         | 1                    |
| 15C         | M83536-2-024M   |                     | • RELAY, 28V, 5A, DPDT<br>(TRUE PART NUMBER M83536/2-024M)                            | C, D         | 1                    |
| -15D        | XD4N300M        |                     | • RELAY, 5A, DPDT (V58657)<br>(OPT FOR ITEM 15C)<br>(TRUE PART NUMBER: X-D4N-300M)    | C, D         | 1                    |
| 20          | 9353-0-15-01-18 |                     | • SOCKET, SPRING (V3N087)<br>(OVERLENGTH PART NUMBER:<br>9353-0-15-01-18-27-10-0)     |              | 30                   |
| 25          | WG104PR9SY342-3 |                     | • CONNECTOR, PLUG (V10400)  |              | 1                    |
| 30          | DCM37PD         |                     | • CONNECTOR, D-SUB (V08718)   |              | 1                    |
| 35          | 534974-5        |                     | • CONNECTOR, RECEPTACLE (V00779)  | A            | 1                    |
| -35A        | 534974-4        |                     | • CONNECTOR, RECEPTACLE (V00779)  | B, C, D      | 1                    |
| 40          | MS21042-04      |                     | • NUT   |              | 2                    |
| 45          | NAS600-5P       |                     | • SCREW   |              | 2                    |
| 50          | NAS620-4L       |                     | • WASHER  |              | 2                    |
| 55          | MS51957-15      |                     | • SCREW   |              | 2                    |
| -60         | MS51957-17      |                     | • SCREW   | A            | 4                    |
| 60A         | MS51957-17      |                     | • SCREW   | B, C, D      | 7                    |
| -65         | 9208A115        |                     | • SPACER (V06540)<br>(TRUE PART NUMBER: 9208-A-115)                                   | A            | 4                    |
| 65A         | 9208A115        |                     | • SPACER (V06540)<br>(TRUE PART NUMBER: 9208-A-115)                                   | B, C, D      | 7                    |
| 70          | 107-50-3        |                     | • EJECTOR (V52094)  |              | 2                    |
| -75         | NAS620C4L       |                     | • WASHER  | A            | 8                    |
| 75A         | NAS620C4L       |                     | • WASHER  | B, C, D      | 11                   |
| -80         | MS21043-04      |                     | • NUT   | A            | 6                    |
| 80A         | MS21043-04      |                     | • NUT   | B, C, D      | 9                    |
| 85          | M83536-6-022M   |                     | • RELAY, 28V, 5A, 4PDT<br>(TRUE PART NUMBER: M83536/6-022M)                           | B, C, D      | 1                    |
| -85A        | XD4N300M        |                     | • RELAY, 5A, 4PDT, 28V (V58657)<br>(TRUE PART NUMBER X-D4N-300M)<br>(OPT FOR ITEM 85) | B            | 1                    |
| -85B        | YD4N300M        |                     | • RELAY, 5A, 4PDT, 28V (V58657)<br>(TRUE PART NUMBER Y-D4N-300M)<br>(OPT FOR ITEM 85) | C, D         | 1                    |

- Item not illustrated

ROSEMOUNT AEROSPACE INC.  
 COMPONENT MAINTENANCE MANUAL  
 SERIES 0514K



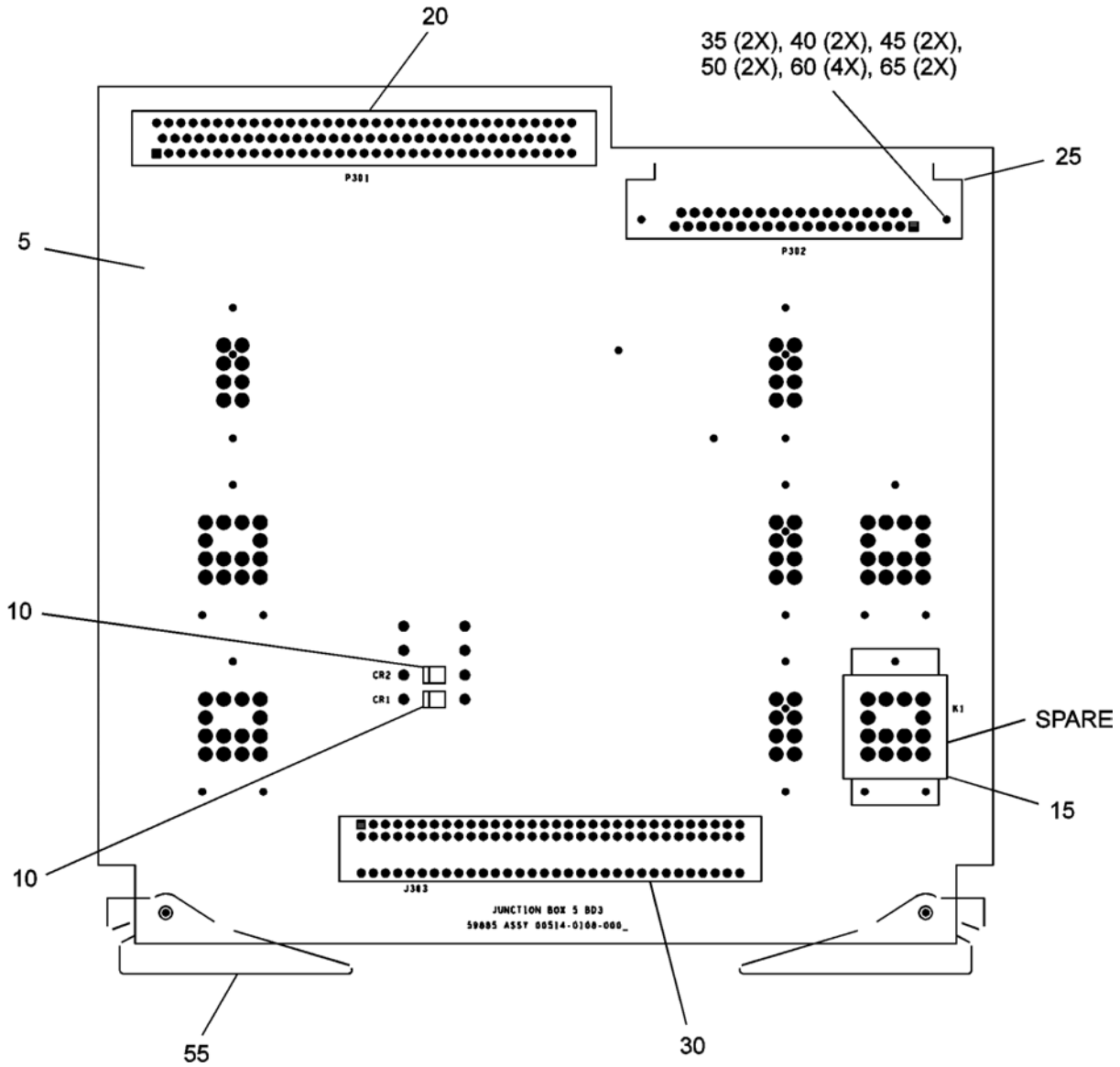
IPL Figure 11. Junction Box 4, DB3 Circuit Card Assembly  
 (Part Number 00514-0092-0005)

**ROSEMOUNT AEROSPACE INC.  
COMPONENT MAINTENANCE MANUAL  
SERIES 0514K**

| FIG<br>ITEM | PART NUMBER     | AIRLINE<br>PART NO. | NOMENCLATURE<br>1 2 3 4 5 6  | EFF.<br>CODE | UNITS<br>PER<br>ASSY |
|-------------|-----------------|---------------------|--|--------------|----------------------|
| 11 -1       | 00514-0092-0001 |                     | DB3 CCA, JUNCTION BOX 4<br>(SUPERSEDED BY ITEM 1C)<br>(SEE FIGURE 1 FOR NHA)           | A            | REF                  |
| -1A         | 00514-0092-0002 |                     | DB3 CCA, JUNCTION BOX 4<br>(SUPERSEDED BY ITEM 1C)<br>(SEE FIGURE 1 FOR NHA)           | B            | REF                  |
| -1B         | 00514-0092-0003 |                     | DB3 CCA, JUNCTION BOX 4<br>(SUPERSEDED BY ITEM 1C)<br>(SEE FIGURE 1 FOR NHA)           | C            | REF                  |
| -1C         | 00514-0092-0005 |                     | DB3 CCA, JUNCTION BOX 4<br>(SUPERSEDES ITEMS 1, 1A AND 1B)<br>(SEE FIGURE 1 FOR NHA)   | D            | REF                  |
| 5           | 00514-0093-0001 |                     | • PWB, DB3, JUNCTION BOX 6   | A            | 1                    |
| -5A         | 00514-0093-0002 |                     | • PWB, DB3, JUNCTION BOX 6   | B, C, D      | 1                    |
| 10          | JANTX1N5552     |                     | • DIODE, RECTIFIER   |              | 2                    |
| 15          | M83536-2-024M   |                     | • RELAY, 28V, 5A, DPDT<br>(TRUE PART NUMBER M83536/2-024M)                             | A, B         | 3                    |
| -15A        | YD4N300M        |                     | • RELAY, 5A, DPDT (V58657)<br>(TRUE PART NUMBER Y-D4N-300M)<br>(OPT FOR ITEM 15)       | A, B         | 3                    |
| 15B         | TDH2038-5000    |                     | • RELAY, 5A, DPDT (V58657)<br>(TRUE PART NUMBER: TDH-2038-5000)                        | C, D         | 1                    |
| 15C         | M83536-2-024M   |                     | • RELAY, 28V, 5A, DPDT<br>(TRUE PART NUMBER M83536/2-024M)                             | C, D         | 2                    |
| -15D        | XD4N300M        |                     | • RELAY, 5A, 4PDT, 28V (V58657)<br>(TRUE PART NUMBER X-D4N-300M)<br>(OPT FOR ITEM 15C) | C, D         | 2                    |
| 20          | 9353-0-15-01-18 |                     | • SOCKET, SPRING (V3N087)<br>(OVERLENGTH PART NUMBER:<br>9353-0-15-01-18-27-10-0)      |              | 38                   |
| 25          | RER70F47R5R     |                     | • RESISTOR, WW, 20W, 47.5 OHM, 1%  |              | 1                    |
| 30          | WG104PR9SY342-8 |                     | • CONNECTOR, PLUG (V10400)   |              | 1                    |
| 35          | DCM37PD         |                     | • CONNECTOR, D-SUB (V08718)  |              | 1                    |
| 40          | 534974-5        |                     | • CONNECTOR, RECEPTACLE (V00779)   | A            | 1                    |
| -40A        | 534974-4        |                     | • CONNECTOR, RECEPTACLE (V00779)   | B, C, D      | 1                    |
| 45          | MS21042-04      |                     | • NUT  |              | 4                    |
| 50          | NAS600-5P       |                     | • SCREW  |              | 4                    |
| 55          | NAS620-4L       |                     | • WASHER   |              | 6                    |
| 60          | MS51957-15      |                     | • SCREW  |              | 2                    |
| -65         | MS51957-17      |                     | • SCREW  | A            | 6                    |
| 65A         | MS51957-17      |                     | • SCREW  | B, C, D      | 9                    |
| -70         | 9208A115        |                     | • SPACER (V06540)<br>(TRUE PART NUMBER: 9208-A-115)                                    | A            | 6                    |
| 70A         | 9208A115        |                     | • SPACER (V06540)<br>(TRUE PART NUMBER: 9208-A-115)                                    | B, C, D      | 9                    |
| 75          | 107-50-3        |                     | • EJECTOR (V52094)   |              | 2                    |
| -80         | NAS620C4L       |                     | • WASHER   | A            | 10                   |
| 80A         | NAS620C4L       |                     | • WASHER   | B, C, D      | 13                   |
| -85         | MS21043-04      |                     | • NUT  | A            | 8                    |
| 85A         | MS21043-04      |                     | • NUT  | B, C, D      | 11                   |
| 90          | M83536-6-022M   |                     | • RELAY, 28V, 5A, 4PDT<br>(TRUE PART NUMBER: M83536/6-022M)                            | B, C, D      | 1                    |
| -90A        | XD4N300M        |                     | • RELAY, 5A, 4PDT, 28V (V58657)<br>(TRUE PART NUMBER X-D4N-300M)<br>(OPT FOR ITEM 90)  | B            | 1                    |
| -90B        | YD4N300M        |                     | • RELAY, 5A, DPDT (V58657)<br>(TRUE PART NUMBER Y-D4N-300M)<br>(OPT FOR ITEM 90)       | C, D         | 1                    |

- Item not illustrated

ROSEMOUNT AEROSPACE INC.  
 COMPONENT MAINTENANCE MANUAL  
 SERIES 0514K



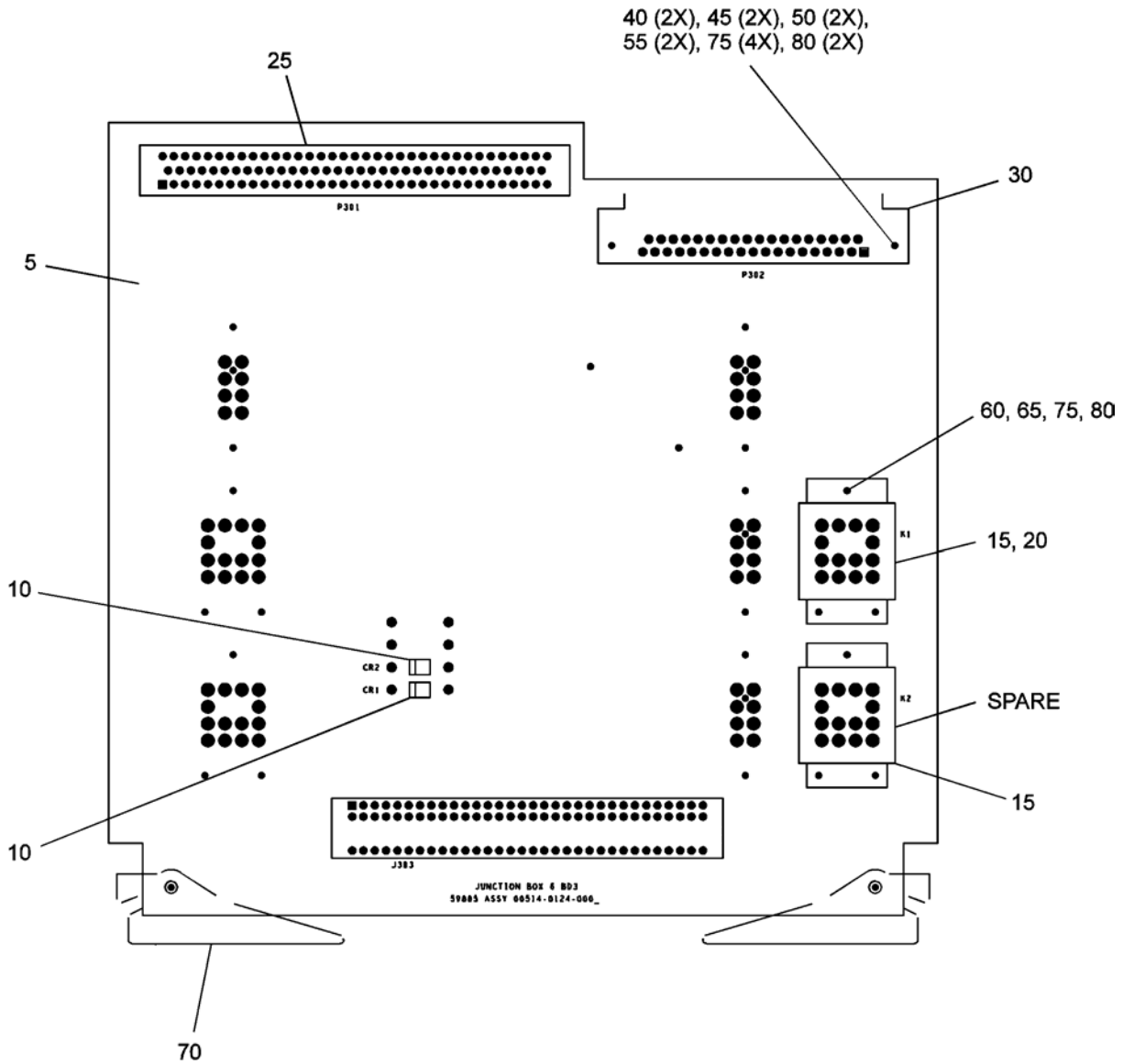
IPL Figure 12. Junction Box 5, DB3 Circuit Card Assembly  
 (Part Number 00514-0108-0006)

**ROSEMOUNT AEROSPACE INC.  
COMPONENT MAINTENANCE MANUAL  
SERIES 0514K**

| FIG<br>ITEM | PART NUMBER     | AIRLINE<br>PART NO. | NOMENCLATURE<br>1 2 3 4 5 6   | EFF.<br>CODE | UNITS<br>PER<br>ASSY |
|-------------|-----------------|---------------------|---|--------------|----------------------|
| 12 -1       | 00514-0108-0001 |                     | DB3 CCA, JUNCTION BOX 5<br>(SUPERSEDED BY ITEM 1B)<br>(SEE FIGURE 1 FOR NHA)      | A            | REF                  |
| -1A         | 00514-0108-0002 |                     | DB3 CCA, JUNCTION BOX 5<br>(SUPERSEDED BY ITEM 1B)<br>(SEE FIGURE 1 FOR NHA)      | B            | REF                  |
| -1B         | 00514-0108-0006 |                     | DB3 CCA, JUNCTION BOX 5<br>(SUPERSEDES ITEMS 1 AND 1A)<br>(SEE FIGURE 1 FOR NHA)  | C            | REF                  |
| 5           | 00514-0109-0001 |                     | • PWB, DB3, JUNCTION BOX 6  | A            | 1                    |
| -5A         | 00514-0109-0002 |                     | • PWB, DB3, JUNCTION BOX 6  | B, C         | 1                    |
| 10          | JANTX1N5552     |                     | • DIODE, RECTIFIER  |              | 2                    |
| 15          | 9353-0-15-01-18 |                     | • SOCKET, SPRING (V3N087)<br>(OVERLENGTH PART NUMBER:<br>9353-0-15-01-18-27-10-0) |              | 14                   |
| 20          | WG104PR9SY34213 |                     | • CONNECTOR, PLUG (V10400)<br>(OVERLENGTH PART NUMBER:<br>WG104PR9SY342-13)       |              | 1                    |
| 25          | DCM37PD         |                     | • CONNECTOR, D-SUB (V08718)   |              | 1                    |
| 30          | 534974-5        |                     | • CONNECTOR, RECEPTACLE (V00779)  | A            | 1                    |
| -30A        | 534974-4        |                     | • CONNECTOR, RECEPTACLE (V00779)  | B, C         | 1                    |
| 35          | MS21042-04      |                     | • NUT   |              | 2                    |
| 40          | NAS600-5P       |                     | • SCREW   |              | 2                    |
| 45          | NAS620-4L       |                     | • WASHER  |              | 2                    |
| 50          | MS51957-15      |                     | • SCREW   |              | 2                    |
| 55          | 107-50-3        |                     | • EJECTOR (V52094)  |              | 2                    |
| 60          | NAS620C4L       |                     | • WASHER  |              | 4                    |
| 65          | MS21043-04      |                     | • NUT   |              | 2                    |

- Item not illustrated

ROSEMOUNT AEROSPACE INC.  
 COMPONENT MAINTENANCE MANUAL  
 SERIES 0514K



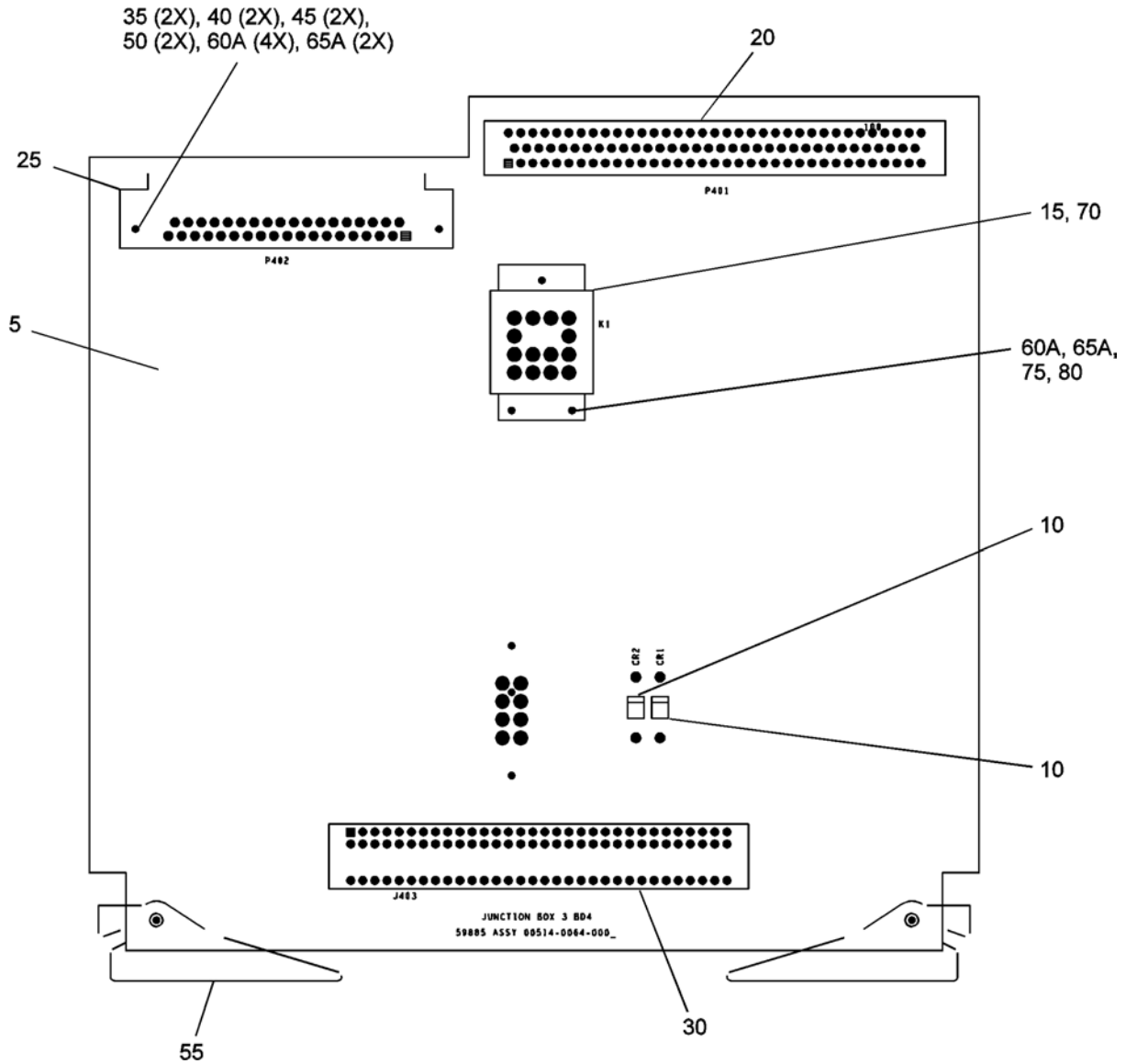
IPL Figure 13. Junction Box 6, DB3 Circuit Card Assembly  
 (Part Number 00514-0124-0004)

**ROSEMOUNT AEROSPACE INC.  
COMPONENT MAINTENANCE MANUAL  
SERIES 0514K**

| FIG<br>ITEM | PART NUMBER     | AIRLINE<br>PART NO. | NOMENCLATURE<br>1 2 3 4 5 6   | EFF.<br>CODE | UNITS<br>PER<br>ASSY |
|-------------|-----------------|---------------------|---|--------------|----------------------|
| 13 -1       | 00514-0124-0001 |                     | DB3 CCA, JUNCTION BOX 6<br>(SUPERSEDED BY ITEM 1B)<br>(SEE FIGURE 1 FOR NHA)          | A            | REF                  |
| -1A         | 00514-0124-0002 |                     | DB3 CCA, JUNCTION BOX 6<br>(SUPERSEDED BY ITEM 1B)<br>(SEE FIGURE 1 FOR NHA)          | B            | REF                  |
| -1B         | 00514-0124-0004 |                     | DB3 CCA, JUNCTION BOX 6<br>(SUPERSEDES ITEMS 1 AND 1A)<br>(SEE FIGURE 1 FOR NHA)      | C            | REF                  |
| 5           | 00514-0125-0001 |                     | • PWB, DB3, JUNCTION BOX 6  | A            | 1                    |
| -5A         | 00514-0125-0002 |                     | • PWB, DB3, JUNCTION BOX 6  | B, C         | 1                    |
| 10          | JANTX1N5552     |                     | • DIODE, RECTIFIER  |              | 2                    |
| 15          | 9353-0-15-01-18 |                     | • SOCKET, SPRING (V3N087)<br>(OVERLENGTH PART NUMBER:<br>9353-0-15-01-18-27-10-0)     |              | 28                   |
| 20          | M83536-6-022M   |                     | • RELAY, 28V, 5A, 4PDT<br>(TRUE PART NUMBER M83536/6-022M)                            |              | 1                    |
| -20A        | XD4N300M        |                     | • RELAY, 5A, 4PDT, 28V (V58657)<br>(TRUE PART NUMBER X-D4N-300M)<br>(OPT FOR ITEM 20) |              | 1                    |
| 25          | WG104PR9SY34218 |                     | • CONNECTOR, PLUG (V10400)<br>(OVERLENGTH PART NUMBER:<br>WG104PR9SY342-18)           |              | 1                    |
| 30          | DCM37PD         |                     | • CONNECTOR, D-SUB (V08718)   |              | 1                    |
| 35          | 534974-5        |                     | • CONNECTOR, RECEPTACLE (V00779)  | A            | 1                    |
| -35A        | 534974-4        |                     | • CONNECTOR, RECEPTACLE (V00779)  | B, C         | 1                    |
| 40          | MS21042-04      |                     | • NUT   |              | 2                    |
| 45          | NAS600-5P       |                     | • SCREW   |              | 2                    |
| 50          | NAS620-4L       |                     | • WASHER  |              | 2                    |
| 55          | MS51957-15      |                     | • SCREW   |              | 2                    |
| 60          | MS51957-17      |                     | • SCREW   |              | 3                    |
| 65          | 9208A115        |                     | • SPACER (V06540)<br>(TRUE PART NUMBER: 9208-A-115)                                   |              | 3                    |
| 70          | 107-50-3        |                     | • EJECTOR (V52094)  |              | 2                    |
| 75          | NAS620C4L       |                     | • WASHER  |              | 7                    |
| 80          | MS21043-04      |                     | • NUT   |              | 5                    |

- Item not illustrated

ROSEMOUNT AEROSPACE INC.  
 COMPONENT MAINTENANCE MANUAL  
 SERIES 0514K



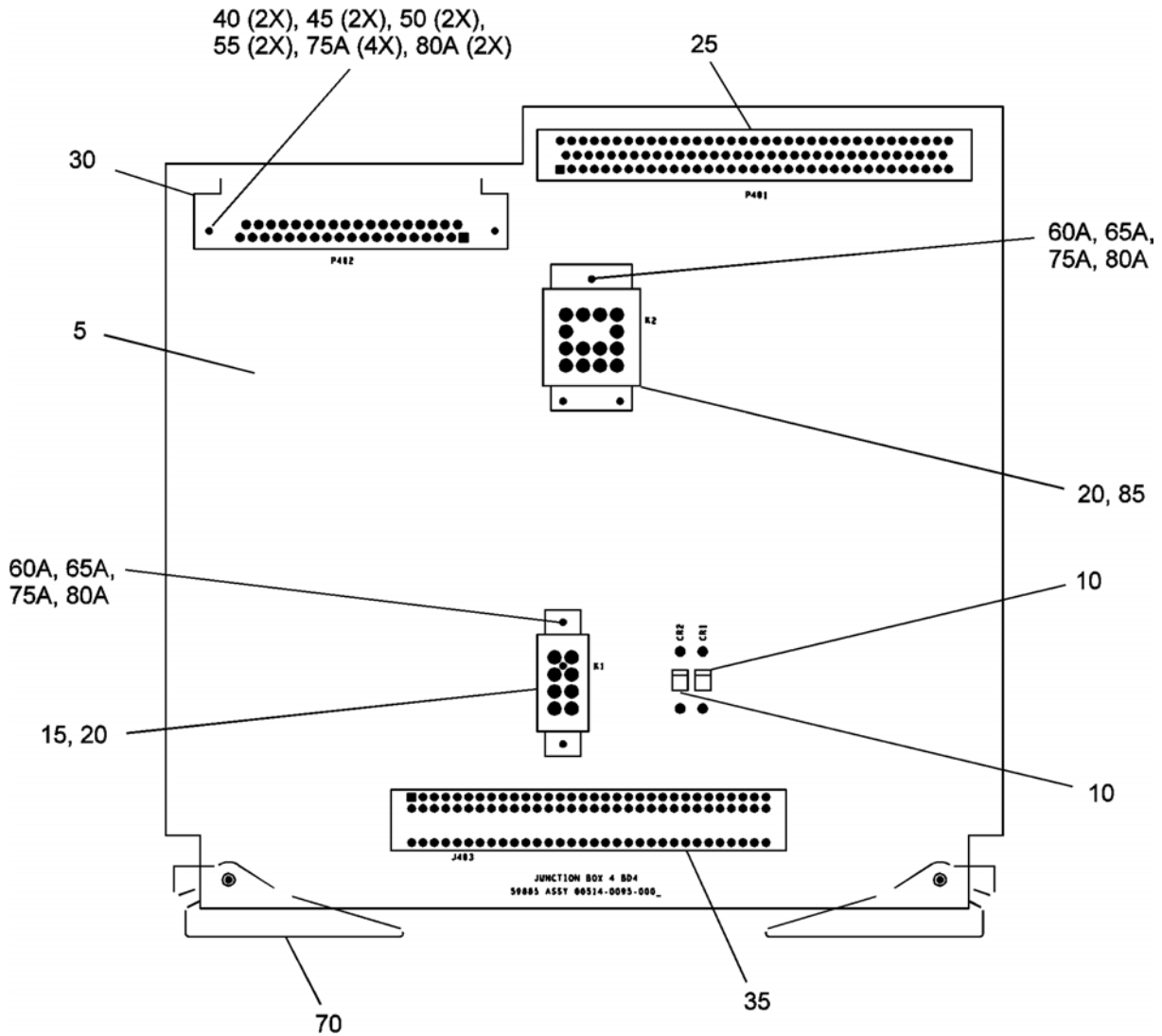
IPL Figure 14. Junction Box 3, DB4 Circuit Card Assembly  
 (Part Number 00514-0064-0005)

**ROSEMOUNT AEROSPACE INC.  
COMPONENT MAINTENANCE MANUAL  
SERIES 0514K**

| FIG<br>ITEM | PART NUMBER     | AIRLINE<br>PART NO. | NOMENCLATURE<br>1 2 3 4 5 6   | EFF.<br>CODE | UNITS<br>PER<br>ASSY |
|-------------|-----------------|---------------------|---|--------------|----------------------|
| 14 - 1      | 00514-0064-0001 |                     | DB4 CCA, JUNCTION BOX 3<br>(SUPERSEDED BY ITEM 1B)<br>(SEE FIGURE 1 FOR NHA)          | A            | REF                  |
| -1A         | 00514-0064-0002 |                     | DB4 CCA, JUNCTION BOX 3<br>(SUPERSEDED BY ITEM 1B)<br>(SEE FIGURE 1 FOR NHA)          | B            | REF                  |
| -1B         | 00514-0064-0005 |                     | DB4 CCA, JUNCTION BOX 3<br>(SUPERSEDES ITEMS 1 AND 1A)<br>(SEE FIGURE 1 FOR NHA)      | C            | REF                  |
| 5           | 00514-0065-0001 |                     | • PWB, DB4, JUNCTION BOX 6  | A            | 1                    |
| -5A         | 00514-0065-0002 |                     | • PWB, DB4, JUNCTION BOX 6  | B, C         | 1                    |
| 10          | JANTX1N5552     |                     | • DIODE, RECTIFIER  |              | 2                    |
| 15          | 9353-0-15-01-18 |                     | • SOCKET, SPRING (V3N087)<br>(OVERLENGTH PART NUMBER:<br>9353-0-15-01-18-27-10-0)     |              | 14                   |
| 20          | WG104PR9SY342-4 |                     | • CONNECTOR, PLUG (V10400)  |              | 1                    |
| 25          | DCM37PD         |                     | • CONNECTOR, D-SUB (V08718)   |              | 1                    |
| 30          | 534974-5        |                     | • CONNECTOR, RECEPTACLE (V00779)  | A            | 1                    |
| -30A        | 534974-4        |                     | • CONNECTOR, RECEPTACLE (V00779)  | B, C         | 1                    |
| 35          | MS21042-04      |                     | • NUT   |              | 2                    |
| 40          | NAS600-5P       |                     | • SCREW   |              | 2                    |
| 45          | NAS620-4L       |                     | • WASHER  |              | 2                    |
| 50          | MS51957-15      |                     | • SCREW   |              | 2                    |
| 55          | 107-50-3        |                     | • EJECTOR (V52094)  |              | 2                    |
| -60         | NAS620C4L       |                     | • WASHER  | A            | 4                    |
| 60A         | NAS620C4L       |                     | • WASHER  | B, C         | 7                    |
| -65         | MS21043-04      |                     | • NUT   | A            | 2                    |
| 65A         | MS21043-04      |                     | • NUT   | B, C         | 5                    |
| 70          | M83536-6-022M   |                     | • RELAY, 28V, 5A, 4PDT<br>(TRUE PART NUMBER: M83536/6-022M)                           | B, C         | 1                    |
| -70A        | XD4N300M        |                     | • RELAY, 5A, 4PDT, 28V (V58657)<br>(TRUE PART NUMBER X-D4N-300M)<br>(OPT FOR ITEM 70) | B, C         | 1                    |
| -75         | MS51957-17      |                     | • SCREW   | B, C         | 3                    |
| -80         | 9208A115        |                     | • SPACER (V06540)<br>(TRUE PART NUMBER: 9208-A-115)                                   | B, C         | 3                    |

- Item not illustrated

ROSEMOUNT AEROSPACE INC.  
 COMPONENT MAINTENANCE MANUAL  
 SERIES 0514K



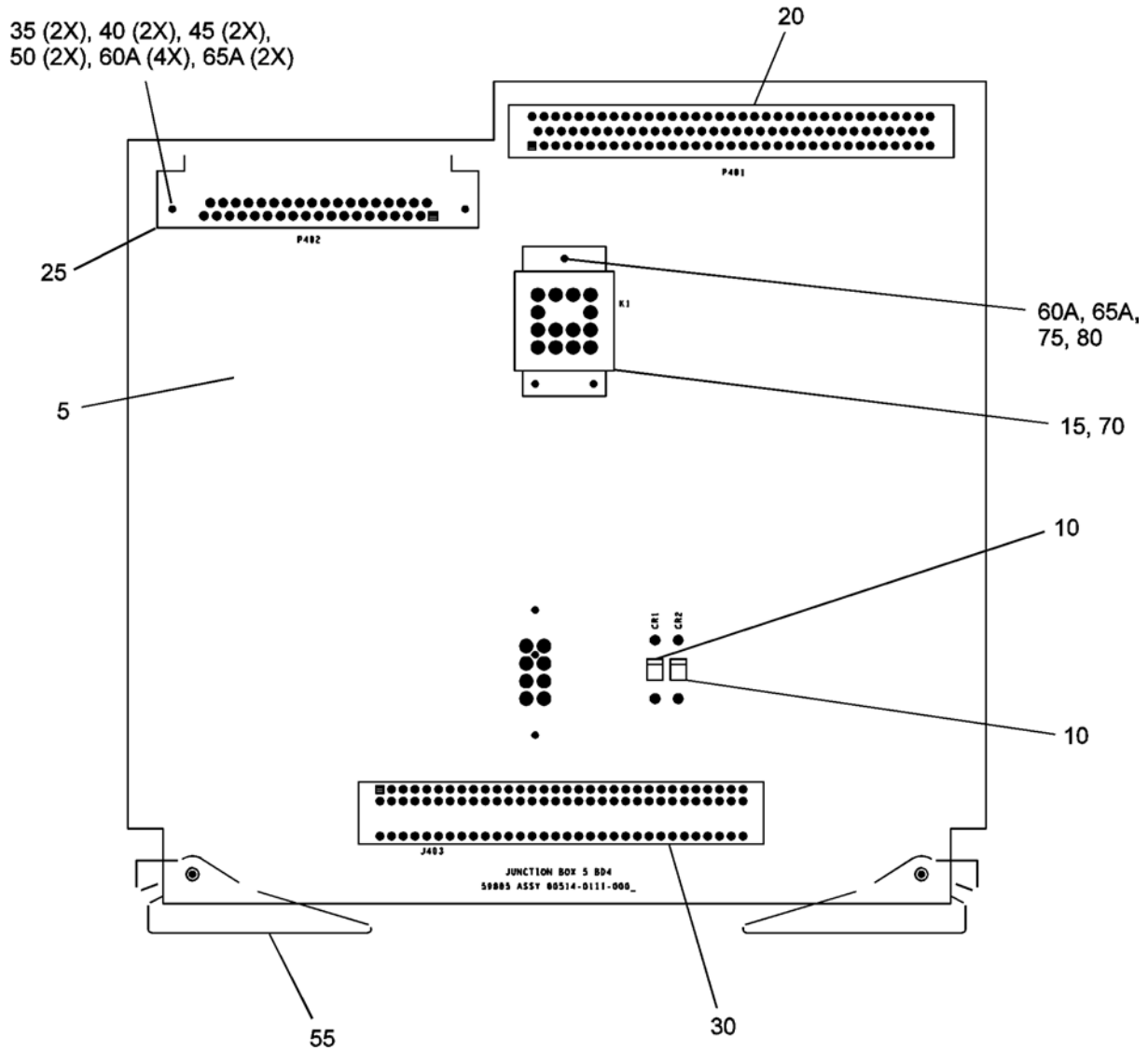
IPL Figure 15. Junction Box 4, DB4 Circuit Card Assembly  
 (Part Number 00514-0095-0005)

**ROSEMOUNT AEROSPACE INC.  
COMPONENT MAINTENANCE MANUAL  
SERIES 0514K**

| FIG<br>ITEM | PART NUMBER     | AIRLINE<br>PART NO. | NOMENCLATURE<br>1 2 3 4 5 6   | EFF.<br>CODE | UNITS<br>PER<br>ASSY |
|-------------|-----------------|---------------------|---|--------------|----------------------|
| 15 -1       | 00514-0095-0001 |                     | DB4 CCA, JUNCTION BOX 4<br>(SUPERSEDED BY ITEM 1B)<br>(SEE FIGURE 1 FOR NHA)          | A            | REF                  |
| -1A         | 00514-0095-0002 |                     | DB4 CCA, JUNCTION BOX 4<br>(SUPERSEDED BY ITEM 1B)<br>(SEE FIGURE 1 FOR NHA)          | B            | REF                  |
| -1B         | 00514-0095-0005 |                     | DB4 CCA, JUNCTION BOX 4<br>(SUPERSEDES ITEMS 1 AND 1A)<br>(SEE FIGURE 1 FOR NHA)      | C            | REF                  |
| 5           | 00514-0096-0001 |                     | • PWB, DB4, JUNCTION BOX 6  | A            | 1                    |
| -5A         | 00514-0096-0002 |                     | • PWB, DB4, JUNCTION BOX 6  | B, C         | 1                    |
| 10          | JANTX1N5552     |                     | • DIODE, RECTIFIER  |              | 2                    |
| 15          | M83536-2-024M   |                     | • RELAY, 28V, 5A, DPDT<br>(TRUE PART NUMBER M83536/2-024M)                            |              | 1                    |
| -15A        | YD4N300M        |                     | • RELAY, 5A, DPDT (V58657)<br>(TRUE PART NUMBER Y-D4N-300M)<br>(OPT FOR ITEM 15)      |              | 1                    |
| 20          | 9353-0-15-01-18 |                     | • SOCKET, SPRING (V3N087)<br>(OVERLENGTH PART NUMBER:<br>9353-0-15-01-18-27-10-0)     |              | 22                   |
| 25          | WG104PR9SY342-9 |                     | • CONNECTOR, PLUG (V10400)  |              | 1                    |
| 30          | DCM37PD         |                     | • CONNECTOR, D-SUB (V08718)   |              | 1                    |
| 35          | 534974-5        |                     | • CONNECTOR, RECEPTACLE (V00779)  | A            | 1                    |
| -35A        | 534974-4        |                     | • CONNECTOR, RECEPTACLE (V00779)  | B, C         | 1                    |
| 40          | MS21042-04      |                     | • NUT   |              | 2                    |
| 45          | NAS600-5P       |                     | • SCREW   |              | 2                    |
| 50          | NAS620-4L       |                     | • WASHER  |              | 2                    |
| 55          | MS51957-15      |                     | • SCREW   |              | 2                    |
| -60         | MS51957-17      |                     | • SCREW   | A            | 2                    |
| 60A         | MS51957-17      |                     | • SCREW   | B, C         | 5                    |
| -65         | 9208-A-115      |                     | • SPACER (V06540)<br>(TRUE PART NUMBER: 9208-A-115)                                   | A            | 2                    |
| 65A         | 9208-A-115      |                     | • SPACER (V06540)<br>(TRUE PART NUMBER: 9208-A-115)                                   | B, C         | 5                    |
| 70          | 107-50-3        |                     | • EJECTOR (V52094)  |              | 2                    |
| -75         | NAS620C4L       |                     | • WASHER  | A            | 6                    |
| 75A         | NAS620C4L       |                     | • WASHER  | B, C         | 9                    |
| -80         | MS21043-04      |                     | • NUT   | A            | 4                    |
| 80A         | MS21043-04      |                     | • NUT   | B, C         | 7                    |
| 85          | M83536-6-022M   |                     | • RELAY, 28V, 5A, 4PDT<br>(TRUE PART NUMBER: M83536/6-022M)                           | B, C         | 1                    |
| -85A        | XD4N300M        |                     | • RELAY, 5A, 4PDT, 28V (V58657)<br>(TRUE PART NUMBER X-D4N-300M)<br>(OPT FOR ITEM 85) | B, C         | 1                    |

- Item not illustrated

ROSEMOUNT AEROSPACE INC.  
 COMPONENT MAINTENANCE MANUAL  
 SERIES 0514K



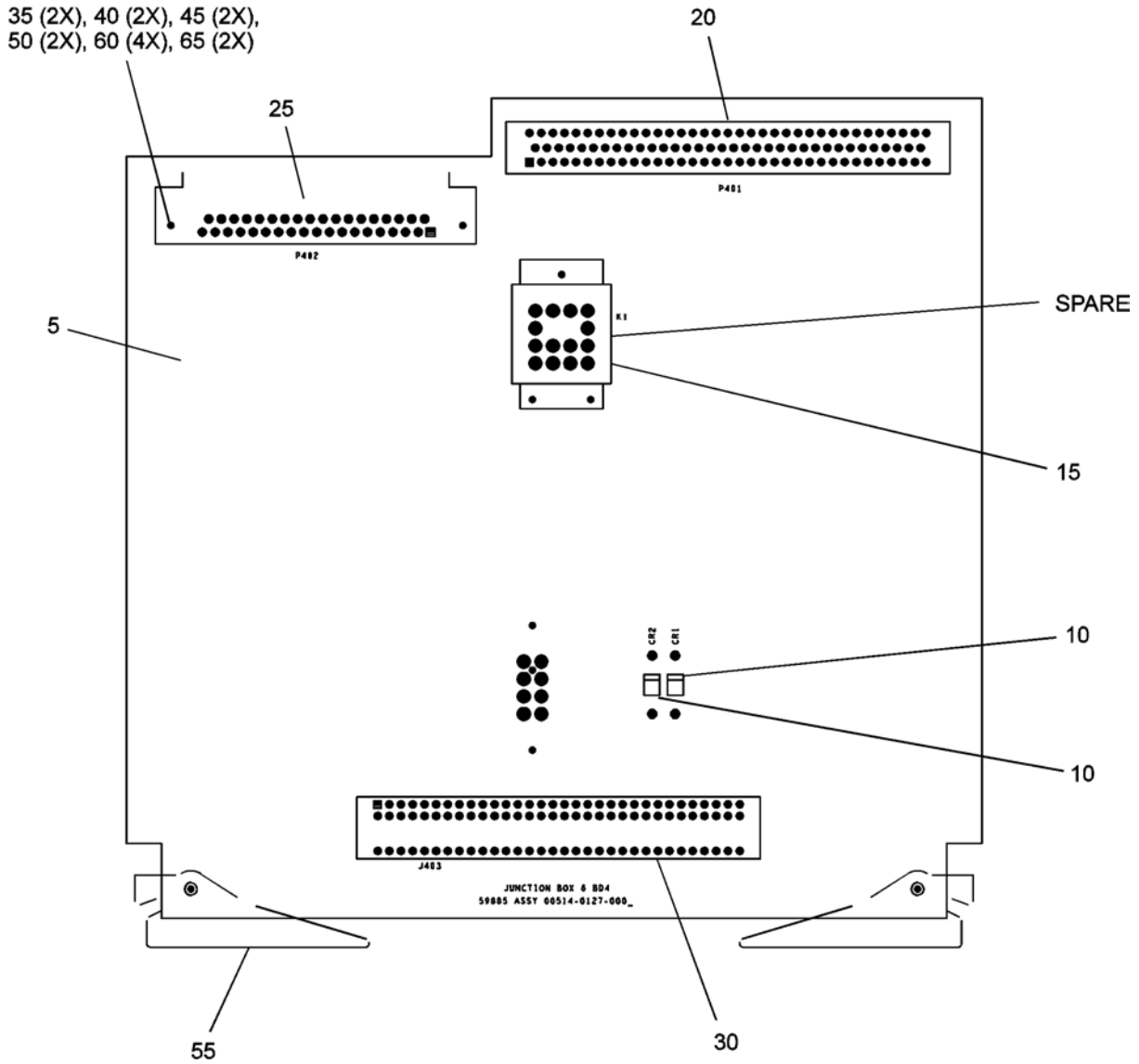
IPL Figure 16. Junction Box 5, DB4 Circuit Card Assembly  
 (Part Number 00514-0111-0006)

**ROSEMOUNT AEROSPACE INC.  
COMPONENT MAINTENANCE MANUAL  
SERIES 0514K**

| FIG<br>ITEM | PART NUMBER     | AIRLINE<br>PART NO. | NOMENCLATURE<br>1 2 3 4 5 6   | EFF.<br>CODE | UNITS<br>PER<br>ASSY |
|-------------|-----------------|---------------------|---|--------------|----------------------|
| 16 -1       | 00514-0111-0001 |                     | DB4 CCA, JUNCTION BOX 5<br>(SUPERSEDED BY ITEM 1B)<br>(SEE FIGURE 1 FOR NHA)          | A            | REF                  |
| -1A         | 00514-0111-0002 |                     | DB4 CCA, JUNCTION BOX 5<br>(SUPERSEDED BY ITEM 1B)<br>(SEE FIGURE 1 FOR NHA)          | B            | REF                  |
| -1B         | 00514-0111-0006 |                     | DB4 CCA, JUNCTION BOX 5<br>(SUPERSEDES ITEMS 1 AND 1A)<br>(SEE FIGURE 1 FOR NHA)      | C            | REF                  |
| 5           | 00514-0112-0001 |                     | • PWB, DB4, JUNCTION BOX 6  | A            | 1                    |
| -5A         | 00514-0112-0002 |                     | • PWB, DB4, JUNCTION BOX 6  | B, C         | 1                    |
| 10          | JANTX1N5552     |                     | • DIODE, RECTIFIER  |              | 2                    |
| 15          | 9353-0-15-01-18 |                     | • SOCKET, SPRING (V3N087)<br>(OVERLENGTH PART NUMBER:<br>9353-0-15-01-18-27-10-0)     |              | 14                   |
| 20          | WG104PR9SY34214 |                     | • CONNECTOR, PLUG (V10400)<br>(OVERLENGTH PART NUMBER:<br>WG104PR9SY342-14)           |              | 1                    |
| 25          | DCM37PD         |                     | • CONNECTOR, D-SUB (V08718)   |              | 1                    |
| 30          | 534974-5        |                     | • CONNECTOR, RECEPTACLE (V00779)  | A            | 1                    |
| -30A        | 534974-4        |                     | • CONNECTOR, RECEPTACLE (V00779)  | B, C         | 1                    |
| 35          | MS21042-04      |                     | • NUT   |              | 2                    |
| 40          | NAS600-5P       |                     | • SCREW   |              | 2                    |
| 45          | NAS620-4L       |                     | • WASHER  |              | 2                    |
| 50          | MS51957-15      |                     | • SCREW   |              | 2                    |
| 55          | 107-50-3        |                     | • EJECTOR (V52094)  |              | 2                    |
| -60         | NAS620C4L       |                     | • WASHER  | A            | 4                    |
| 60A         | NAS620C4L       |                     | • WASHER  | B, C         | 7                    |
| -65         | MS21043-04      |                     | • NUT   | A            | 2                    |
| 65A         | MS21043-04      |                     | • NUT   | B, C         | 5                    |
| 70          | M83536-6-022M   |                     | • RELAY, 28V, 5A, 4PDT<br>(TRUE PART NUMBER: M83536/6-022M)                           | B, C         | 1                    |
| -70A        | XD4N300M        |                     | • RELAY, 5A, 4PDT, 28V (V58657)<br>(TRUE PART NUMBER X-D4N-300M)<br>(OPT FOR ITEM 70) | B, C         | 1                    |
| 75          | MS51957-17      |                     | • SCREW   | B, C         | 3                    |
| 80          | 9208A115        |                     | • SPACER (V06540)<br>(TRUE PART NUMBER: 9208-A-115)                                   | B, C         | 3                    |

- Item not illustrated

ROSEMOUNT AEROSPACE INC.  
 COMPONENT MAINTENANCE MANUAL  
 SERIES 0514K



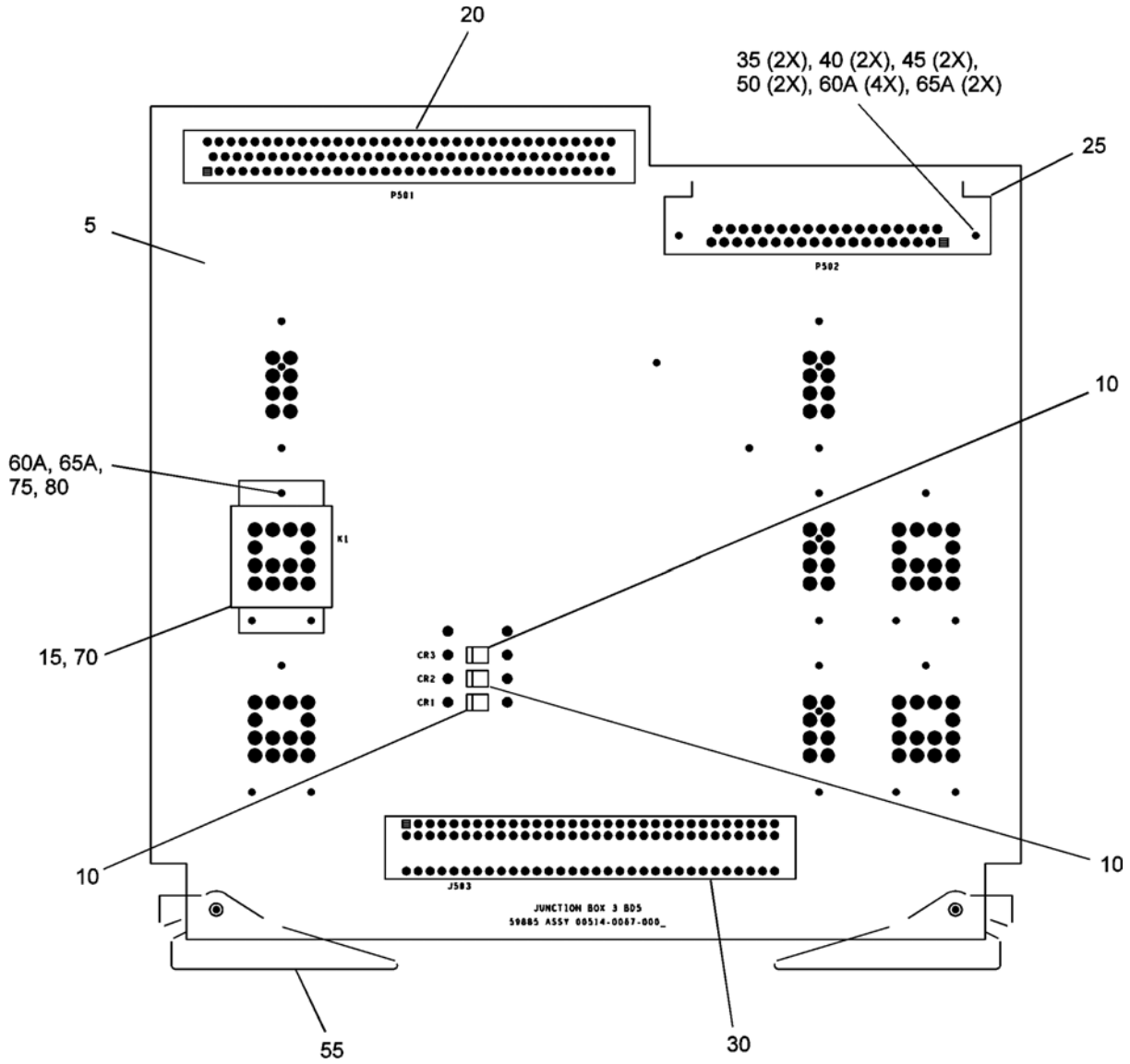
IPL Figure 17. Junction Box 6, DB4 Circuit Card Assembly  
 (Part Number 00514-0127-0004)

**ROSEMOUNT AEROSPACE INC.  
COMPONENT MAINTENANCE MANUAL  
SERIES 0514K**

| FIG<br>ITEM | PART NUMBER     | AIRLINE<br>PART NO. | NOMENCLATURE<br>1 2 3 4 5 6   | EFF.<br>CODE | UNITS<br>PER<br>ASSY |
|-------------|-----------------|---------------------|---|--------------|----------------------|
| 17 -1       | 00514-0127-0001 |                     | DB4 CCA, JUNCTION BOX 6<br>(SUPERSEDED BY ITEM 1B)<br>(SEE FIGURE 1 FOR NHA)      | A            | REF                  |
| -1A         | 00514-0127-0002 |                     | DB4 CCA, JUNCTION BOX 6<br>(SUPERSEDED BY ITEM 1B)<br>(SEE FIGURE 1 FOR NHA)      | B            | REF                  |
| -1B         | 00514-0127-0004 |                     | DB4 CCA, JUNCTION BOX 6<br>(SUPERSEDES ITEMS 1 AND 1A)<br>(SEE FIGURE 1 FOR NHA)  | C            | REF                  |
| 5           | 00514-0128-0001 |                     | • PWB, DB4, JUNCTION BOX 6  | A            | 1                    |
| -5A         | 00514-0128-0002 |                     | • PWB, DB4, JUNCTION BOX 6  | B, C         | 1                    |
| 10          | JANTX1N5552     |                     | • DIODE, RECTIFIER  |              | 2                    |
| 15          | 9353-0-15-01-18 |                     | • SOCKET, SPRING (V3N087)<br>(OVERLENGTH PART NUMBER:<br>9353-0-15-01-18-27-10-0) |              | 14                   |
| 20          | WG104PR9SY34223 |                     | • CONNECTOR, PLUG (V10400)<br>(OVERLENGTH PART NUMBER:<br>WG104PR9SY342-23)       |              | 1                    |
| 25          | DCM37PD         |                     | • CONNECTOR, D-SUB (V08718)   |              | 1                    |
| 30          | 534974-5        |                     | • CONNECTOR, RECEPTACLE (V00779)  | A            | 1                    |
| -30A        | 534974-4        |                     | • CONNECTOR, RECEPTACLE (V00779)  | B, C         | 1                    |
| 35          | MS21042-04      |                     | • NUT   |              | 2                    |
| 40          | NAS600-5P       |                     | • SCREW   |              | 2                    |
| 45          | NAS620-4L       |                     | • WASHER  |              | 2                    |
| 50          | MS51957-15      |                     | • SCREW   |              | 2                    |
| 55          | 107-50-3        |                     | • EJECTOR (V52094)  |              | 2                    |
| 60          | NAS620C4L       |                     | • WASHER  |              | 4                    |
| 65          | MS21043-04      |                     | • NUT   |              | 2                    |

- Item not illustrated

ROSEMOUNT AEROSPACE INC.  
 COMPONENT MAINTENANCE MANUAL  
 SERIES 0514K



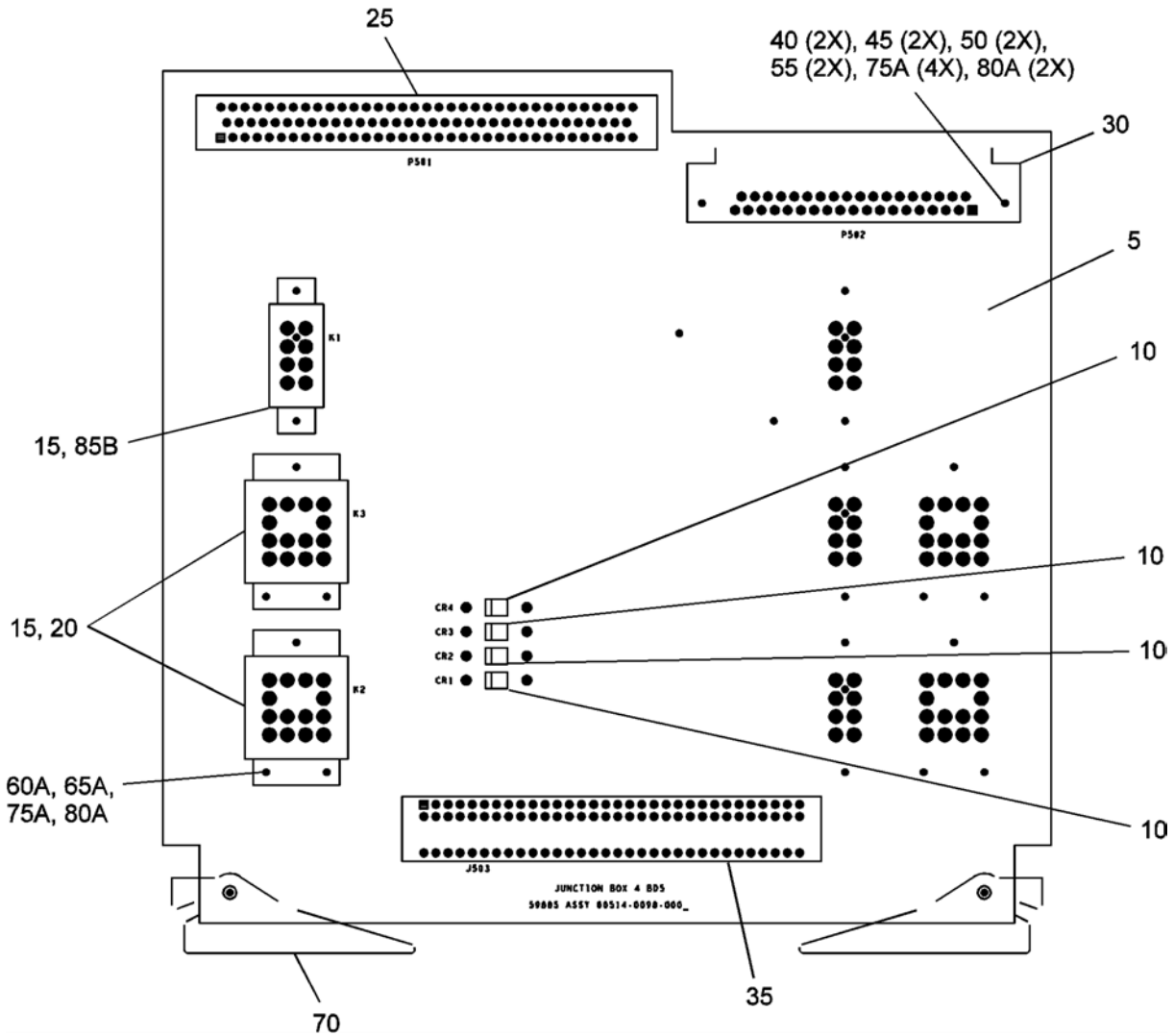
IPL Figure 18. Junction Box 3, DB5 Circuit Card Assembly  
 (Part Number 00514-0067-0005)

**ROSEMOUNT AEROSPACE INC.  
COMPONENT MAINTENANCE MANUAL  
SERIES 0514K**

| FIG<br>ITEM | PART NUMBER     | AIRLINE<br>PART NO. | NOMENCLATURE<br>1 2 3 4 5 6  | EFF.<br>CODE | UNITS<br>PER<br>ASSY |
|-------------|-----------------|---------------------|--|--------------|----------------------|
| 18 -1       | 00514-0067-0001 |                     | DB5 CCA, JUNCTION BOX 3<br>(SUPERSEDED BY ITEM 1B)<br>(SEE FIGURE 1 FOR NHA)           | A            | REF                  |
| -1A         | 00514-0067-0002 |                     | DB5 CCA, JUNCTION BOX 3<br>(SUPERSEDED BY ITEM 1B)<br>(SEE FIGURE 1 FOR NHA)           | B            | REF                  |
| -1B         | 00514-0067-0005 |                     | DB5 CCA, JUNCTION BOX 3<br>(SUPERSEDES ITEMS 1 AND 1A)<br>(SEE FIGURE 1 FOR NHA)       | C            | REF                  |
| 5           | 00514-0068-0001 |                     | • PWB, DB5, JUNCTION BOX 6   | A            | 1                    |
| -5A         | 00514-0068-0002 |                     | • PWB, DB5, JUNCTION BOX 6   | B, C         | 1                    |
| 10          | JANTX1N5552     |                     | • DIODE, RECTIFIER   |              | 3                    |
| 15          | 9353-0-15-01-18 |                     | • SOCKET, SPRING (V3N087)<br>(OVERLENGTH PART NUMBER:<br>9353-0-15-01-18-27-10-0)      |              | 14                   |
| 20          | WG104PR9SY342-5 |                     | • CONNECTOR, PLUG (V10400)   |              | 1                    |
| 25          | DCM37PD         |                     | • CONNECTOR, D-SUB (V08718)  |              | 1                    |
| 30          | 534974-5        |                     | • CONNECTOR, RECEPTACLE (V00779)   | A            | 1                    |
| -30A        | 534974-4        |                     | • CONNECTOR, RECEPTACLE (V00779)   | B, C         | 1                    |
| 35          | MS21042-04      |                     | • NUT  |              | 2                    |
| 40          | NAS600-5P       |                     | • SCREW  |              | 2                    |
| 45          | NAS620-4L       |                     | • WASHER   |              | 2                    |
| 50          | MS51957-15      |                     | • SCREW  |              | 2                    |
| 55          | 107-50-3        |                     | • EJECTOR (V52094)   |              | 2                    |
| -60         | NAS620C4L       |                     | • WASHER   | A            | 4                    |
| 60A         | NAS620C4L       |                     | • WASHER   | B, C         | 7                    |
| -65         | MS21043-04      |                     | • NUT  | A            | 2                    |
| 65A         | MS21043-04      |                     | • NUT  | B, C         | 5                    |
| 70          | M83536-6-022M   |                     | • RELAY, 28V, 5A, 4PDT<br>(TRUE PART NUMBER: M83536/6-022M)                            | B, C         | 1                    |
| -70A        | XD4N300M        |                     | • RELAY, 5A, 4PDT, 28V (V58657)<br>(TRUE PART NUMBER: X-D4N-300M)<br>(OPT FOR ITEM 70) | B, C         | 1                    |
| 75          | MS51957-17      |                     | • SCREW  | B, C         | 3                    |
| 80          | 9208A115        |                     | • SPACER (V06540)<br>(TRUE PART NUMBER: 9208-A-115)                                    | B, C         | 3                    |

- Item not illustrated

ROSEMOUNT AEROSPACE INC.  
 COMPONENT MAINTENANCE MANUAL  
 SERIES 0514K



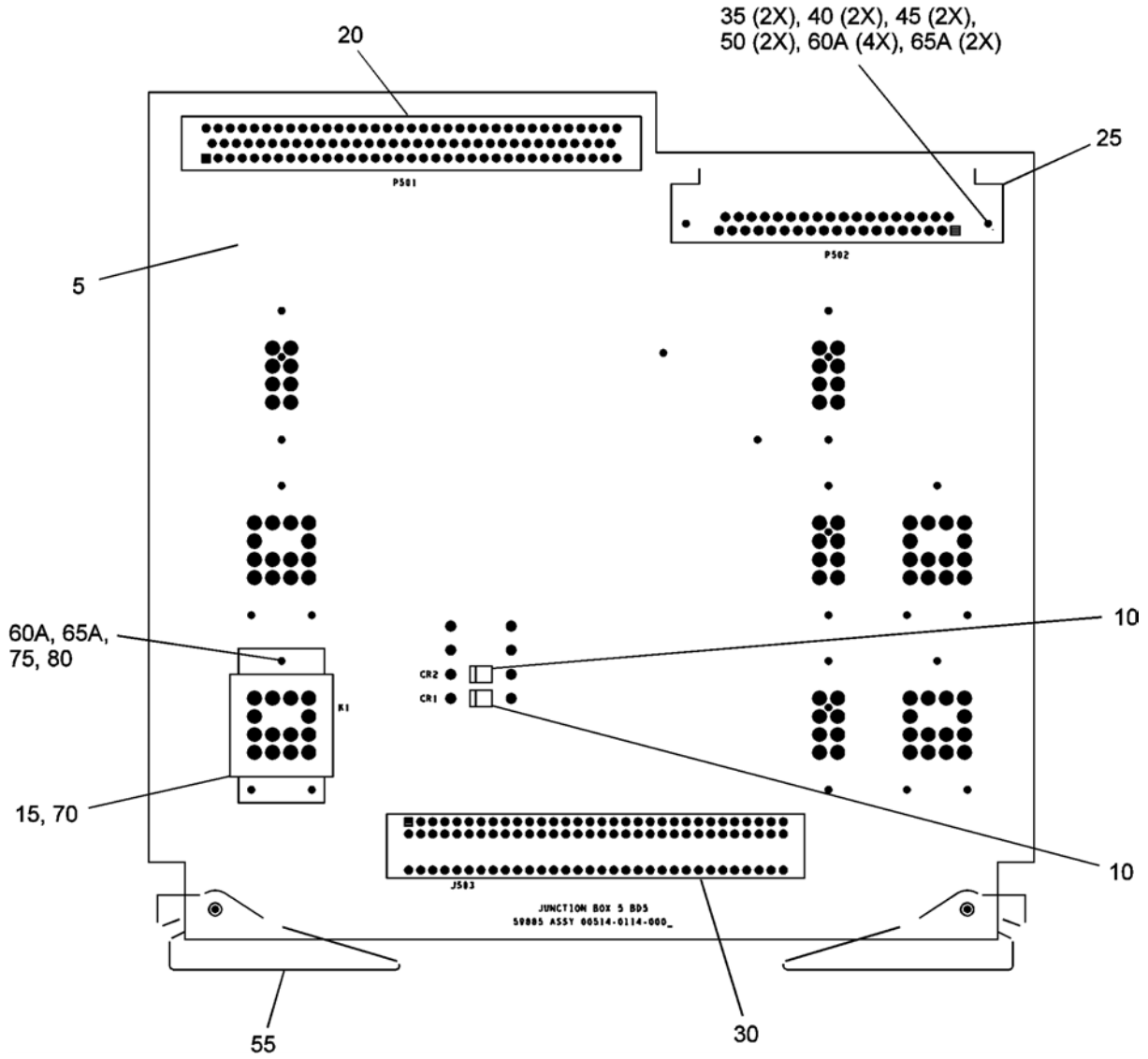
IPL Figure 19. Junction Box 4, DB5 Circuit Card Assembly  
 (Part Number 00514-0098-0005)

**ROSEMOUNT AEROSPACE INC.  
COMPONENT MAINTENANCE MANUAL  
SERIES 0514K**

| FIG<br>ITEM | PART NUMBER     | AIRLINE<br>PART NO. | NOMENCLATURE<br>1 2 3 4 5 6   | EFF.<br>CODE | UNITS<br>PER<br>ASSY |
|-------------|-----------------|---------------------|---|--------------|----------------------|
| 19 -1       | 00514-0098-0001 |                     | DB5 CCA, JUNCTION BOX 4<br>(SUPERSEDED BY ITEM 1C)<br>(SEE FIGURE 1 FOR NHA)                          | A            | REF                  |
| -1A         | 00514-0098-0002 |                     | DB5 CCA, JUNCTION BOX 4<br>(SUPERSEDED BY ITEM 1C)<br>(SEE FIGURE 1 FOR NHA)                          | B            | REF                  |
| -1B         | 00514-0098-0003 |                     | DB5 CCA, JUNCTION BOX 4<br>(SUPERSEDED BY ITEM 1C)<br>(SEE FIGURE 1 FOR NHA)                          | C            | REF                  |
| -1C         | 00514-0098-0005 |                     | DB5 CCA, JUNCTION BOX 4<br>(SUPERSEDES ITEMS 1, 1A AND 1B)<br>(SEE FIGURE 1 FOR NHA)                  | D            | REF                  |
| 5           | 00514-0099-0001 |                     | • PWB, DB5, JUNCTION BOX 6  | A            | 1                    |
| -5A         | 00514-0099-0002 |                     | • PWB, DB5, JUNCTION BOX 6  | B, C, D      | 1                    |
| 10          | JANTX1N5552     |                     | • DIODE, RECTIFIER  |              | 4                    |
| 15          | 9353-0-15-01-18 |                     | • SOCKET, SPRING (V3N087)<br>(OVERLENGTH PART NUMBER:<br>9353-0-15-01-18-27-10-0)                     |              | 36                   |
| 20          | M83536-6-022M   |                     | • RELAY, 28V, 5A, 4PDT<br>(TRUE PART NUMBER: M83536/6-022M)   |              | 2                    |
| -20A        | XD4N300M        |                     | • RELAY, 5A, 4PDT, 28V (V58657)<br>(TRUE PART NUMBER: X-D4N-300M)<br>(OPT FOR ITEM 20)                | A, B         | 2                    |
| -20B        | YD4N300M        |                     | • RELAY, 5A, 4PDT, 28V (V58657)<br>(TRUE PART NUMBER: Y-D4N-300M)<br>(OPT FOR ITEM 20)                | C, D         | 2                    |
| 25          | WG104PR9SY34210 |                     | • CONNECTOR, PLUG (V10400)<br>(OVERLENGTH PART NUMBER:<br>WG104PR9SY342-10)                           |              | 1                    |
| 30          | DCM37PD         |                     | • CONNECTOR, D-SUB (V08718)   |              | 1                    |
| 35          | 534974-5        |                     | • CONNECTOR, RECEPTACLE (V00779)  | A            | 1                    |
| -35A        | 534974-4        |                     | • CONNECTOR, RECEPTACLE (V00779)  | B, C, D      | 1                    |
| 40          | MS21042-04      |                     | • NUT   |              | 2                    |
| 45          | NAS600-5P       |                     | • SCREW   |              | 2                    |
| 50          | NAS620-4L       |                     | • WASHER  |              | 2                    |
| 55          | MS51957-15      |                     | • SCREW   |              | 2                    |
| -60         | MS51957-17      |                     | • SCREW   | A            | 6                    |
| 60A         | MS51957-17      |                     | • SCREW   | B, C, D      | 8                    |
| -65         | 9208A115        |                     | • SPACER (V06540)<br>(TRUE PART NUMBER: 9208-A-115)   | A            | 6                    |
| 65A         | 9208A115        |                     | • SPACER (V06540)<br>(TRUE PART NUMBER: 9208-A-115)   | B, C, D      | 8                    |
| 70          | 107-50-3        |                     | • EJECTOR (V52094)  |              | 2                    |
| -75         | NAS620C4L       |                     | • WASHER  | A            | 10                   |
| 75A         | NAS620C4L       |                     | • WASHER  | B, C, D      | 12                   |
| -80         | MS21043-04      |                     | • NUT   | A            | 8                    |
| 80A         | MS21043-04      |                     | • NUT   | B, C, D      | 10                   |
| -85         | M83536-2-024M   |                     | • RELAY, 28V, 5A, DPDT<br>(SUPERSEDED BY ITEM 85B)<br>(TRUE PART NUMBER: M83536/2-024M)               | B            | 1                    |
| -85A        | YD4N300M        |                     | • RELAY, 5A, DPDT (V58657)<br>(TRUE PART NUMBER: Y-D4N-300M)<br>(OPT FOR ITEM 85)                     | B            | 1                    |
| 85B         | TDH2037-2000    |                     | • RELAY, 28V, 5A, DPDT (V58657)<br>(SUPERSEDES ITEMS 85 AND 85A)<br>(TRUE PART NUMBER: TDH-2037-2000) | C, D         | 1                    |

- Item not illustrated

ROSEMOUNT AEROSPACE INC.  
 COMPONENT MAINTENANCE MANUAL  
 SERIES 0514K



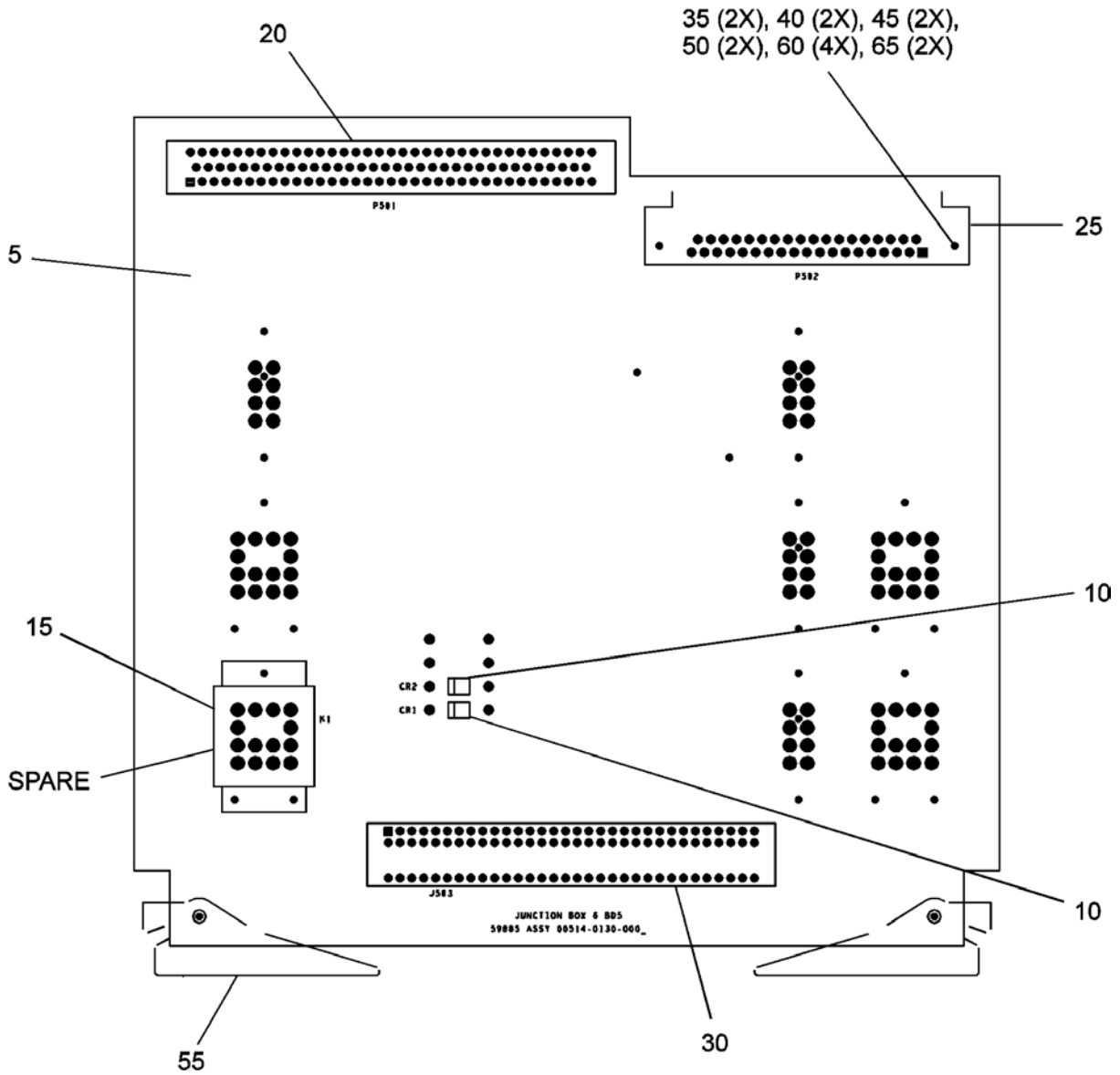
IPL Figure 20. Junction Box 5, DB5 Circuit Card Assembly  
 (Part Number 00514-0114-0006)

**ROSEMOUNT AEROSPACE INC.  
COMPONENT MAINTENANCE MANUAL  
SERIES 0514K**

| FIG<br>ITEM | PART NUMBER     | AIRLINE<br>PART NO. | NOMENCLATURE<br>1 2 3 4 5 6  | EFF.<br>CODE | UNITS<br>PER<br>ASSY |
|-------------|-----------------|---------------------|--|--------------|----------------------|
| 20 -1       | 00514-0114-0001 |                     | DB5 CCA, JUNCTION BOX 5<br>(SUPERSEDED BY ITEM 1B)<br>(SEE FIGURE 1 FOR NHA)           | A            | REF                  |
| -1A         | 00514-0114-0002 |                     | DB5 CCA, JUNCTION BOX 5<br>(SUPERSEDED BY ITEM 1B)<br>(SEE FIGURE 1 FOR NHA)           | B            | REF                  |
| -1B         | 00514-0114-0006 |                     | DB5 CCA, JUNCTION BOX 5<br>(SUPERSEDES ITEMS 1 AND 1A)<br>(SEE FIGURE 1 FOR NHA)       | C            | REF                  |
| 5           | 00514-0115-0001 |                     | • PWB, DB5, JUNCTION BOX 6   | A            | 1                    |
| -5A         | 00514-0115-0002 |                     | • PWB, DB5, JUNCTION BOX 6   | B, C         | 1                    |
| 10          | JANTX1N5552     |                     | • DIODE, RECTIFIER   |              | 2                    |
| 15          | 9353-0-15-01-18 |                     | • SOCKET, SPRING (V3N087)<br>(OVERLENGTH PART NUMBER:<br>9353-0-15-01-18-27-10-0)      |              | 14                   |
| 20          | WG104PR9SY34215 |                     | • CONNECTOR, PLUG (V10400)<br>(OVERLENGTH PART NUMBER:<br>WG104PR9SY342-15)            |              | 1                    |
| 25          | DCM37PD         |                     | • CONNECTOR, D-SUB (V08718)  |              | 1                    |
| 30          | 534974-5        |                     | • CONNECTOR, RECEPTACLE (V00779)   | A            | 1                    |
| -30A        | 534974-4        |                     | • CONNECTOR, RECEPTACLE (V00779)   | B, C         | 1                    |
| 35          | MS21042-04      |                     | • NUT  |              | 2                    |
| 40          | NAS600-5P       |                     | • SCREW  |              | 2                    |
| 45          | NAS620-4L       |                     | • WASHER   |              | 2                    |
| 50          | MS51957-15      |                     | • SCREW  |              | 2                    |
| 55          | 107-50-3        |                     | • EJECTOR (V52094)   |              | 2                    |
| -60         | NAS620C4L       |                     | • WASHER   |              | 4                    |
| 60A         | NAS620C4L       |                     | • WASHER   |              | 7                    |
| -65         | MS21043-04      |                     | • NUT  | A            | 2                    |
| 65A         | MS21043-04      |                     | • NUT  | B, C         | 5                    |
| 70          | M83536-6-022M   |                     | • RELAY, 28V, 5A, 4PDT<br>(TRUE PART NUMBER: M83536/6-022M)                            | B, C         | 1                    |
| -70A        | XD4N300M        |                     | • RELAY, 5A, 4PDT, 28V (V58657)<br>(TRUE PART NUMBER: X-D4N-300M)<br>(OPT FOR ITEM 70) | B, C         | 1                    |
| 75          | MS51957-17      |                     | • SCREW  | B, C         | 3                    |
| 80          | 9208A115        |                     | • SPACER (V06540)<br>(TRUE PART NUMBER: 9208-A-115)                                    | B, C         | 3                    |

- Item not illustrated

ROSEMOUNT AEROSPACE INC.  
 COMPONENT MAINTENANCE MANUAL  
 SERIES 0514K



IPL Figure 21. Junction Box 6, DB5 Circuit Card Assembly  
 (Part Number 00514-0130-0004)

**ROSEMOUNT AEROSPACE INC.  
COMPONENT MAINTENANCE MANUAL  
SERIES 0514K**

| FIG<br>ITEM | PART NUMBER     | AIRLINE<br>PART NO. | NOMENCLATURE<br>1 2 3 4 5 6   | EFF.<br>CODE | UNITS<br>PER<br>ASSY |
|-------------|-----------------|---------------------|---|--------------|----------------------|
| 21 -1       | 00514-0130-0001 |                     | DB5 CCA, JUNCTION BOX 6<br>(SUPERSEDED BY ITEM 1B)<br>(SEE FIGURE 1 FOR NHA)      | A            | REF                  |
| -1A         | 00514-0130-0002 |                     | DB5 CCA, JUNCTION BOX 6<br>(SUPERSEDED BY ITEM 1B)<br>(SEE FIGURE 1 FOR NHA)      | B            | REF                  |
| -1B         | 00514-0130-0004 |                     | DB5 CCA, JUNCTION BOX 6<br>(SUPERSEDES ITEMS 1 AND 1A)<br>(SEE FIGURE 1 FOR NHA)  | C            | REF                  |
| 5           | 00514-0131-0001 |                     | • PWB, DB5, JUNCTION BOX 6  | A            | 1                    |
| -5A         | 00514-0131-0002 |                     | • PWB, DB5, JUNCTION BOX 6  | B, C         | 1                    |
| 10          | JANTX1N5552     |                     | • DIODE, RECTIFIER  |              | 2                    |
| 15          | 9353-0-15-01-18 |                     | • SOCKET, SPRING (V3N087)<br>(OVERLENGTH PART NUMBER:<br>9353-0-15-01-18-27-10-0) |              | 14                   |
| 20          | WG104PR9SY34228 |                     | • CONNECTOR, PLUG (V10400)<br>(OVERLENGTH PART NUMBER:<br>WG104PR9SY342-28)       |              | 1                    |
| 25          | DCM37PD         |                     | • CONNECTOR, D-SUB (V08718)   |              | 1                    |
| 30          | 534974-5        |                     | • CONNECTOR, RECEPTACLE (V00779)  | A            | 1                    |
| -30A        | 534974-4        |                     | • CONNECTOR, RECEPTACLE (V00779)  | B, C         | 1                    |
| 35          | MS21042-04      |                     | • NUT   |              | 2                    |
| 40          | NAS600-5P       |                     | • SCREW   |              | 2                    |
| 45          | NAS620-4L       |                     | • WASHER  |              | 2                    |
| 50          | MS51957-15      |                     | • SCREW   |              | 2                    |
| 55          | 107-50-3        |                     | • EJECTOR (V52094)  |              | 2                    |
| 60          | NAS620C4L       |                     | • WASHER  |              | 4                    |
| 65          | MS21043-04      |                     | • NUT   |              | 2                    |

- Item not illustrated