

SERVICE BULLETIN SUMMARY

This Service Bulletin is available at:

www.cic.bombardier.com

MODEL BD-700-1A10 (BD-700)

ATA 25-11

EQUIPMENT / FURNISHINGS

**MODIFICATION – FLIGHT CREW SEATS –
 INTRODUCTION OF NEW GOODRICH CREW SEATS**

The information below is provided for your reference. For full details, please see corresponding paragraph contained within this bulletin.

OPTIONAL CUSTOMER CONVENIENCE/PREFERENCE	COMPLIANCE TIME Not applicable		
EFFECTIVITY: A/C Serial No. 9002 to 9334			
MANPOWER: 3 man-hours per seat			
KITS and/or PARTS	YES <input checked="" type="checkbox"/>	NO <input type="checkbox"/>	
TOOLING/GSE	YES <input type="checkbox"/>	NO <input checked="" type="checkbox"/>	
PLANNING INFORMATION: See important information at the start of Paragraph 1.	YES <input type="checkbox"/>	NO <input checked="" type="checkbox"/>	
DEDICATED SCHEDULE	YES <input type="checkbox"/>	NO <input checked="" type="checkbox"/>	
PREREQUISITE SERVICE BULLETINS: N/A			

To place an order for parts or kits, please call Bombardier Parts Logistics at:

514-855-2999 or 1-866-538-1247

SERVICE BULLETIN

This Service Bulletin is available at:
www.cic.bombardier.com

MODEL BD-700-1A10 (BD-700)

ATA 25-11

EQUIPMENT / FURNISHINGS

MODIFICATION – FLIGHT CREW SEATS – INTRODUCTION OF NEW GOODRICH CREW SEATS

1. PLANNING INFORMATION

A. Effectivity

BD-700-1A10 aircraft, Serial No. **9002** to **9334**.

All other subsequent BD-700-1A10 aircraft are scheduled for the modification in production (ref.: Modification Summary 700T02374).

NOTE: The instructions given in this Service Bulletin are only applicable to the systems and parts installed at the time of delivery of the aircraft or as changed by Bombardier Aerospace Service Bulletin(s).

Before you do this bulletin, examine all STC, STA or equivalent action changes to make sure that this bulletin can be completed.

B. Reason

Some customers expressed dissatisfaction with the reliability and comfort of the existing crew seats during long flights.

This Service Bulletin introduces new Goodrich crew seats with wide range Lumbar support and headrest adjustments, with improved armrest padding and cushion (wider and more durable), suitable for extended flights.

The ergonomic design provides comfort enhancements and performance improvements of the new model seats which will significantly minimize the fatigue of the crew during long flights.

Refer to applicable governmental agency regulations and requirements and make sure that the work described in this Service Bulletin is performed in compliance with manufacturer's recommendations and/or acceptable industry standards.

This document is proprietary to Bombardier Inc. and/or its affiliates and may not be reproduced or copied in any form or by any means without the prior written consent of Bombardier Inc. and/or its affiliates.

© 2008 Bombardier Inc. All rights reserved
Challenger*, Global Express*, Global Express^{XRS}*, Global 5000*, Learjet* are Trademarks of Bombardier Inc.

C. Description

This Service Bulletin gives instruction in Part A to:

- Remove and discard the existing pilot seat,
- Install the Goodrich pilot seat and,
- Do the necessary tests to make sure the system operates correctly.

This Service Bulletin gives instruction in Part B to:

- Remove and discard the existing copilot seat,
- Install the Goodrich copilot seat and,
- Do the necessary tests to make sure the system operates correctly.

D. Compliance

Optional – Customer Convenience/Preference.

E. Approval

The technical content of this Service Bulletin has been approved under the authority of Transport Canada Civil Aviation (TCCA) Design Approval Organization (DAO) No. DAO #93-Q-02.

- NOTES:**
1. The technical content of this Service Bulletin is accepted by the FAA under the Canada/USA bilateral Aviation Safety Agreement.
 2. The technical content of this Service Bulletin is accepted by the JAA and by EASA in accordance with established procedures.

F. Manpower

- NOTES:**
1. The man-hours given are estimates to help you schedule the tasks given in this bulletin. The estimates are for direct labor performed by an experienced crew and do not include the time for familiarization, planning, aircraft preparation in hangar such as towing and positioning of scaffolds, removal of interior furnishings, repainting, supervision and inspection.

For more information related to the manpower estimates, refer to SB 700-00-002.

2. This Service Bulletin may require consumable materials that have specific curing times (refer to Paragraph 3.). The accumulated curing time is not included in the labor estimates and should be considered for planning purposes before you schedule this Service Bulletin.

3 man-hours are necessary to remove and install one seat.

Bombardier Aerospace does not pay for the labor to do this modification.

G. Material - Cost and Availability

Kit 700K25-024 is necessary to do this modification for each seat.

In addition to the kit shown above, the parts in Paragraph 3 are necessary to do this modification.

Due to the lead-time for obtaining kits and parts, operators are advised to order the kits and parts in advance before scheduling the incorporation of this Service Bulletin. Please contact Parts Logistics, in Montreal, for price and delivery lead times.

The price of each new crew seat for this Service Bulletin is initially US \$15,794.00. This price, excluding escalation costs, will be held until 31 Dec. 2011. This price does not include the kit or the other additional parts.

The above price can change. For the prices outside of the U.S., refer to the last applicable Spare Parts Price Catalog. This data is also available from Bombardier Business Aviation Services (BBAS) at the addresses shown in the catalog.

Bombardier Aerospace does not pay for the kit or parts to do this modification.

H. Tooling - Price and Availability

No equipment or special tools are necessary.

I. Weight and Balance

The calculations given in the table below are for both combined pilot and copilot seats.

WEIGHT	MOMENT
-11.41 pounds (-5.17 kg)	-2915.7pound-inches (-33.5 kgm)

J. Electrical Load Data

No change.

K. References

- Bombardier Aerospace, Modification Summary, 700T97428, Rev. C.
- Bombardier Aerospace, Modification Summary 700T02374 Rev. C.
- Bombardier Aerospace, Kit Drawing KGC-1350, Rev. B.
- Global Express BD-700 Aircraft Maintenance Manual, Chapters 6 and 25.
- Global Express XRS BD-700 Aircraft Maintenance Manual, Chapters 6 and 25.

L. Other Publications Affected

- Global Express BD-700 Aircraft Illustrated Parts Catalog (AIPC), Chapter 25.
- Global Express XRS BD-700 Aircraft Illustrated Parts Catalog (AIPC), Chapter 25.
- Global Express BD-700-1A10 Flight Crew Operating Manual, CSP700-6.

M. Equivalent Service Bulletin

For the Global 5000 BD-700-1A11 aircraft, use SB 700-1A11-25-020.

2. ACCOMPLISHMENT INSTRUCTIONS

- NOTES:
1. All TASKs given in the procedures that follow are from the Global Express or Global Express XRS Aircraft Maintenance Manual unless otherwise specified.
 2. All references made to zones, access panels and/or doors, are from the Global Express or Global Express XRS Aircraft Maintenance Manual, Chapter 6.

A. PART A – Modification of the Pilot Seat

- (1) Remove the pilot seat from the aircraft. Refer to TASK 25-11-00-000-801.
- (2) Do the modification to the seat track stops. Refer to kit drawing KGC991-1350.
- (3) Install the new pilot seat in the aircraft. Refer to TASK 25-11-00-400-801 and to the kit drawing KGC991-1350.

NOTE: Install the screw P/N MS27039-1-19 with the screw head on the inboard side of seat track.

- (4) Do the operational test of the pilot seat. Refer to TASK 25-11-00-710-801.

B. PART B – Modification of the Copilot Seat

- (1) Remove the copilot seat from the aircraft. Refer to TASK 25-11-00-000-801.
- (2) Do the modification to the seat track stops. Refer to kit drawing KGC991-1350.
- (3) Install the new copilot seat in the aircraft. Refer to TASK 25-11-00-400-801 and to the kit drawing KGC991-1350.

NOTE: Install the screw P/N MS27039-1-19 with the screw head on the inboard side of seat track.

- (4) Do the operational test of the copilot seat. Refer to TASK 25-11-00-710-801.

C. Close-out

Remove all tools, equipment and unwanted materials from the aircraft.

D. Recording

You can do each PART of this Service Bulletin independently. When any PART of this Service Bulletin is completed, make an entry in the aircraft log and send the attached Incorporation Notice to Bombardier Business Aircraft Customer Services (BBACS).

3. MATERIAL INFORMATION

A. Kit

Kit 700K25-024 is necessary to do each seat in this Service Bulletin and contains the parts that follow:

NEW PART NO.	QTY	ITEM	USED PART NO.	INSTRUCTIONS DISPOSITION
GC727-7005-1	2	Half, Stop fitting	GC727-0005-1	Discard
GC727-7006-1	2	Half, Stop fitting	GC727-0006-1	Discard
MS27039-1-19	4	Screw	-	-
NAS1149D0332J	4	Washer	-	-
B0309008-03-024	4	Bushing, Plain	-	-

- NOTES:**
1. In case of discrepancy between this list and the "Service Bulletin Kit Parts List" contained in the respective kit, then the latter list prevails.
 2. The actual quantity for some of the hardware contained in the kit can be greater than the amount shown in the table as these items are supplied in pre-packaged quantities.
 3. The above kit is necessary to do one seat. If both seats are replaced, two kits are required.

B. Parts

The parts that follow are necessary to do this Service Bulletin and can be purchased from Bombardier Aerospace Parts Logistics, Montréal:

NEW PART NO.	QTY	ITEM	USED PART NO.	INSTRUCTIONS DISPOSITION
GC721-1001-1	1	Pilot's Seat	Various	Discard
GC721-1001-2	1	Copilot's Seat	Various	Discard
GC727-0058-9	1	Stop Fitting Aft Pilot	GC727-0058-5	Discard
GC727-0058-10	1	Stop Fitting Aft Copilot	GC727-0058-6	Discard

- NOTE:** The part numbers for the items listed above are subject to change without revision to this Service Bulletin. In case of discrepancy between this list and any other list, the Illustrated Parts Catalog prevails and shall be used to determine the latest part number.

BOMBARDIER
GLOBAL EXPRESS
BOMBARDIER
GLOBAL EXPRESS^{XRS}

MODEL BD-700-1A10 (BD-700)

C. Material

No materials required.

D. Publications

No publications required.

BOMBARDIER
GLOBAL EXPRESS
BOMBARDIER
GLOBAL EXPRESS XRS
 MODEL BD-700-1A10 (BD-700)

LES RENSEIGNEMENTS, LES DONNÉES ET LES Dessins TECHNIQUES D'IMAGES DANS LES PRÉSENTES SONT LA PROPRIÉTÉ DE BOMBARDIER INC. ET NE DOIVENT ÊTRE REPRODUITS, NI UTILISÉS PAR UN TROISIÈME PARTI SANS LE CONSENTEMENT ÉCRIT DE BOMBARDIER INC. LES DONNÉES ET LES Dessins TECHNIQUES D'IMAGES CONTIENNENT DE LA PROPRIÉTÉ DE BOMBARDIER INC. ET NE DOIVENT ÊTRE REPRODUITS, NI UTILISÉS PAR UN TROISIÈME PARTI SANS LE CONSENTEMENT ÉCRIT DE BOMBARDIER INC.

THIS DRAWING PREPARED FOR
 BOMBARDIER INC. BY
 BOMBARDIER INC.
 MONTREAL
 CAGE CODE 88308

BOMBARDIER
AEROSPACE

Bombardier Inc., Downsview
 Gerrard Boulevard MS N46-08
 Downsview, Ontario, Canada M3K 1Y5

DRAWN BY:
 S. MEAS
 TITLE
 KIT - CREW SEAT REPLACEMENT
 CAGE CODE 71867 MODEL VERSION: 08 MODEL TYPE: MAST

SHEET MS CODE
 1 OF 2 C PL KGC991-1350
 REV -B

QTY REQ'D PER RH LH	FIND NO.	ZONE SHEET	CAGE CODE	PART, DASH OR IDENTIFYING NO.	DESCRIPTION	SIZE	MATERIAL SPEC	FNSH CODE	P N C O T N E
1			88308	KGC991-1350-1	SEAT CREW INSTL				
2			88308	KGC991-1350-2	SEAT CREW INSTL				
1	3	5B/1	88308	GC721-1001-1	PILOT'S SEAT				
1	4	5B/1	88308	GC721-1001-2	CO-PILOT'S SEAT				
2	2	5C/1	88308	GC727-7005-1	HALF, STOP FITTING, SEAT TRACK				
2	2	5C/1	88308	GC727-7006-1	HALF, STOP FITTING, SEAT TRACK				
1	7	3D/1	88308	GC727-0058-9	STOP FITTING, AFT - SEAT TRACK				
1	8	3D/1	88308	GC727-0058-10	STOP FITTING, AFT - SEAT TRACK				
4	4	3D/1	88308	MS27039-1-19	SCREW			X130	
4	4	3D/1	88308	NAS1149D0332J	WASHER				
4	4	3D/1	96906	B0309008-03-024	BUSHING PLAIN			X101	

BOMBARDIER INC. BY ITS GROUPS, DIVISIONS AND/OR CORPORATE SUBSIDIARIES, PROVIDES THIS INFORMATION TO THE USER OF THIS DRAWING AS A SERVICE TO THE USER. THIS INFORMATION IS PROVIDED "AS IS" WITHOUT WARRANTY OF ANY KIND, EXPRESS OR IMPLIED, INCLUDING BUT NOT LIMITED TO THE WARRANTIES OF MERCHANTABILITY, FITNESS FOR A PARTICULAR PURPOSE AND NONINFRINGEMENT. IN NO EVENT SHALL BOMBARDIER INC. OR ITS GROUPS, DIVISIONS AND/OR CORPORATE SUBSIDIARIES, BE LIABLE FOR ANY DAMAGES, INCLUDING CONSEQUENTIAL DAMAGES, ARISING OUT OF OR IN CONNECTION WITH THE USE OF THIS INFORMATION, EVEN IF ADVISED OF THE POSSIBILITY OF SUCH DAMAGE. THE INFORMATION TECHNICAL DATA AND DESIGNS DISCLOSED HEREIN ARE THE EXCLUSIVE PROPERTY OF BOMBARDIER INC. NO PART OF THIS INFORMATION SHALL BE REPRODUCED OR TRANSMITTED IN ANY FORM OR BY ANY MEANS, ELECTRONIC OR MECHANICAL, INCLUDING PHOTOCOPYING, RECORDING, OR BY ANY INFORMATION STORAGE AND RETRIEVAL SYSTEM, WITHOUT THE WRITTEN PERMISSION OF BOMBARDIER INC. BOMBARDIER INC. AND ITS GROUPS, DIVISIONS AND/OR CORPORATE SUBSIDIARIES, WILL NOT BE RESPONSIBLE FOR ANY DAMAGES, INCLUDING CONSEQUENTIAL DAMAGES, ARISING OUT OF OR IN CONNECTION WITH THE USE OF THIS INFORMATION, EVEN IF ADVISED OF THE POSSIBILITY OF SUCH DAMAGE. THE INFORMATION TECHNICAL DATA AND DESIGNS CONTAINED HEREIN, INCLUDING BUT NOT LIMITED TO, PATENTS, TRADEMARKS, AND SERVICE MARKS, ARE THE PROPERTY OF BOMBARDIER INC. OR ITS GROUPS, DIVISIONS AND/OR CORPORATE SUBSIDIARIES. BOMBARDIER INC. AND ITS GROUPS, DIVISIONS AND/OR CORPORATE SUBSIDIARIES, WILL NOT BE RESPONSIBLE FOR ANY DAMAGES, INCLUDING CONSEQUENTIAL DAMAGES, ARISING OUT OF OR IN CONNECTION WITH THE USE OF THIS INFORMATION, EVEN IF ADVISED OF THE POSSIBILITY OF SUCH DAMAGE. © 2004 Bombardier Inc.

ID: GX KGC991-1350 -B REL MAST 8 2008-10-29
 SB700-25-024-1350-B-S-1-PL

PL KGC991-1350 – Kit – Crew Seat Replacement
 (Sheet 1 of 2, Rev. B)

**BOMBARDIER
GLOBAL EXPRESS**
**BOMBARDIER
GLOBAL EXPRESS^{XRS}**
MODEL BD-700-1A10 (BD-700)

**BOMBARDIER
AEROSPACE**
Bombardier Inc., Montreal
P.O. Box 6087, Station Centre-ville
Montreal, Quebec, Canada H3C 3G9

DRAWN BY: S. MEAS	SHEET 2	MS CODE C	PL KGC991-1350	REV -B
CAGE CODE 88308	MODEL VERSION: 08		MODEL TYPE: MAST	

NOTES

1. FINISH SPEC PER BAERD BA700-001
2. FINISH CODE PER BAERD GEN-004
3. IDENTIFY PER BAPS 144-005
4. REMOVAL OF NOTED PARTS IS REQ'D TO ALLOW INSTALLATION OF CREW SEATS, AS DESCRIBED IN NOTE 5
5. CHANGE CREW SEATS AS FOLLOWS (ALL QUANTITIES ARE PER SEAT)
 - (1) REMOVE & DISCARD OLD FWD STOP FITTING QTY(2) (REF : GC727-0005 & GC727-0006) AND ATTACHING BOLTS QTY (2)
 - (2) REMOVE OLD AFT STOP FITTING QTY (1) (REF : GC727-0058-5 PILOT & GC727-0058-6 CO-PILOT) AND ATTACHING BOLTS QTY (2), DISCARD OLD AFT STOP FITTING AND RETAIN ATTACHING BOLTS
 - (3) REMOVE REMOVABLE SEAT TRACK SECTION QTY (2) (REF : GC727-0059) AND ATTACHING BOLTS QTY (12) AND RETAIN ALL PARTS.
 - (4) REMOVE OLD SEAT AND INSTALL NEW SEAT AT FWD END OF TRACK WITH AFT ROLLER ASSEMBLY INSTALLING WHERE SECTION OF SEAT TRACK WAS REMOVED PER STEP 3
 - (5) VISUALLY INSPECT ALL ATTACHING BOLTS PREVIOUSLY REMOVED AND REPLACE IF DAMAGED. GRIP LENGTH OF FASTENERS MAY ONLY BE CHANGED IN ACCORDANCE WITH GC729-0003
 - (6) INSTALL NEW AFT STOP FITTING QTY (1) (REF : GC727-0058-9 PILOT AND GC727-0058-10 CO-PILOT) WITH ATTACHING BOLTS FROM STEP 2
 - (7) REINSTALL ITEMS REMOVED IN STEP 3
 - (8) INSTALL NEW FWD STOP FITTING QTY (2) (REF : GC727-7005 & GC727-7006) WITH THE APPROPRIATE HARDWARE

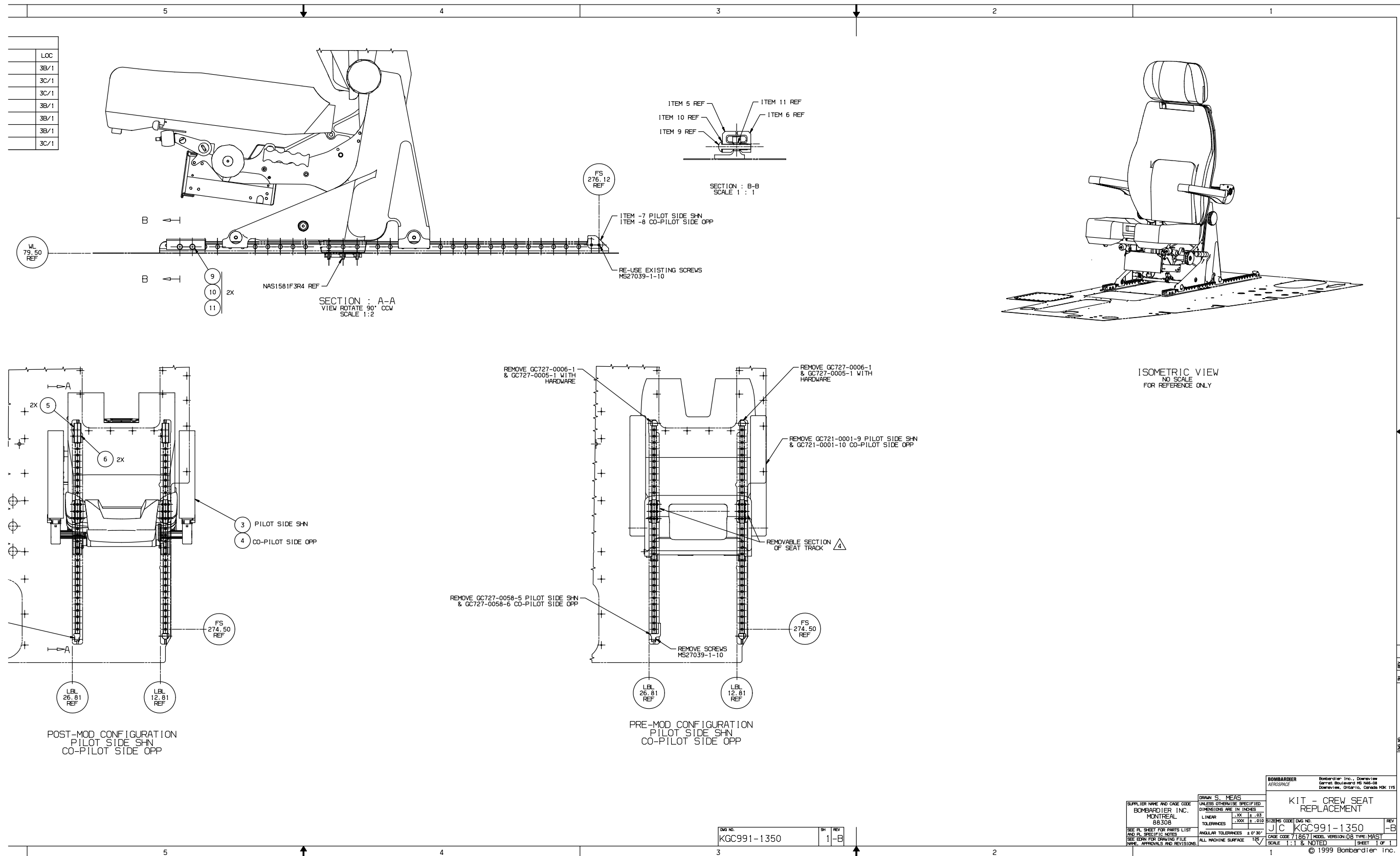
©2004 Bombardier Inc.

BT0501-2 C14 REV 2004-06

ID: GX KGC991-1350 -B REL MAST 8 2008-10-29

SB700-25-024-1350-B-S-S2-PL

PL KGC991-1350 – Kit – Crew Seat Replacement
(Sheet 2 of 2, Rev. B)



KGC991-1350 – Kit –Crew Seat Replacement
(Sheet 1 of 1, Rev. B)

Basic Issue: Dec 15/2008

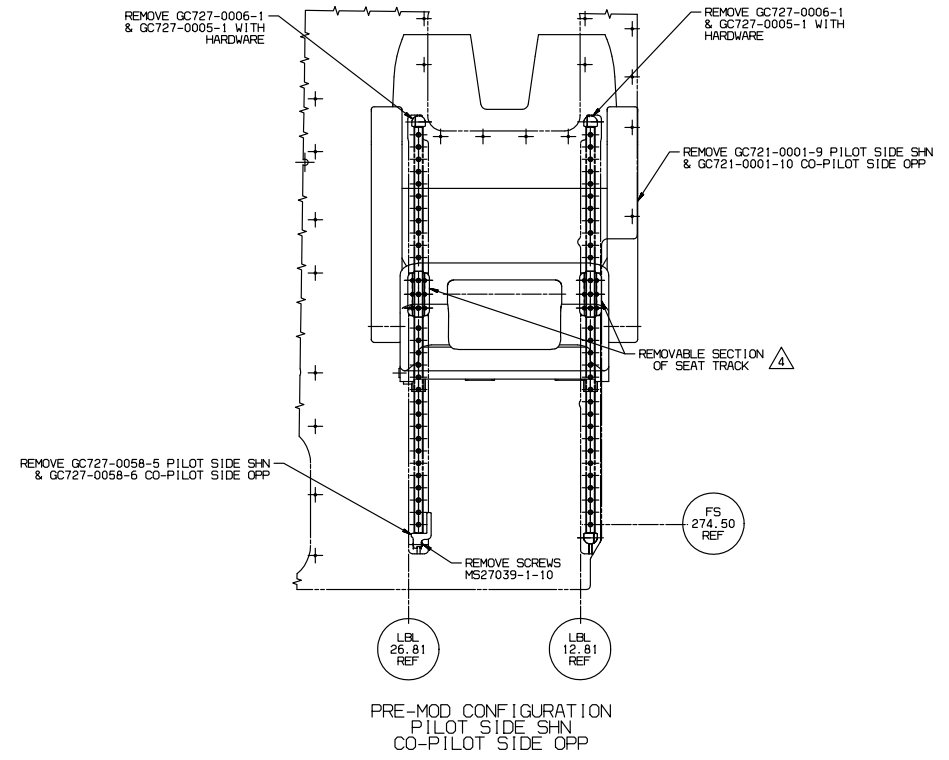
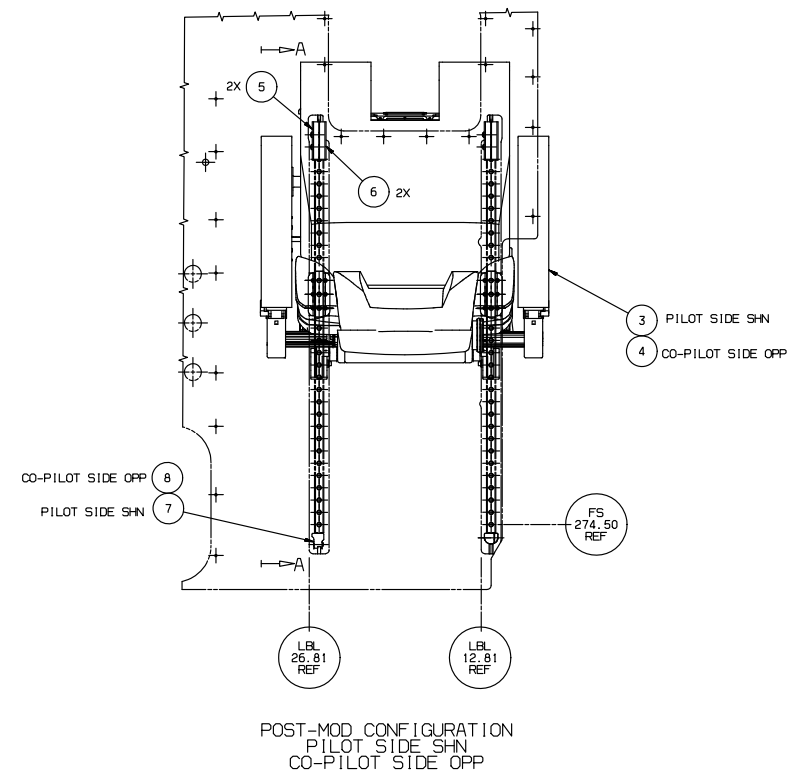
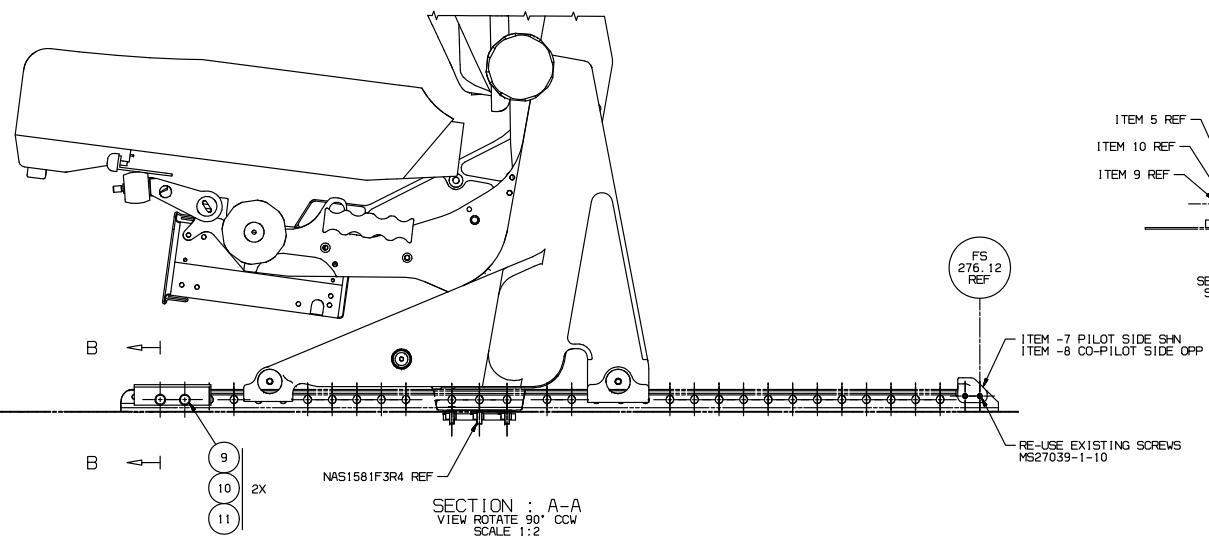
700-25-024
Page 9 of 10

BOMBARDIER AEROSPACE		BOMBARDIER Inc., Dorval/View Centre: 7000-160 Ave. 160 Dorval/View, Ontario, Canada M9K 1Y5	
DRAWN S. MEAS		UNLESS OTHERWISE SPECIFIED	
DIMENSIONS ARE IN INCHES		DIMENSIONS ARE IN INCHES	
LINEAR .125 ±.003		LINEAR .125 ±.003	
TOLERANCES .XXX ±.010		TOLERANCES .XXX ±.010	
ANGULAR TOLERANCES ± 0°30'		ANGULAR TOLERANCES ± 0°30'	
ALL MACHINE SURFACE 125		ALL MACHINE SURFACE 125	
SCALE 1:1 & NOTED		SCALE 1:1 & NOTED	
© 1999 Bombardier Inc.		© 1999 Bombardier Inc.	

DWG NO.	REV
KGC991-1350	1-B

DRAWING NO. KGC991-1350
 SHEET 1 OF 1

PARTS TO BE REMOVED OR MODIFIED				
PART NUMBER	DESCRIPTION	QTY	DISPOSITION	LOC
GC721-0001	CREW SEAT	2	DISCARD	3B/1
GC727-0005-1	FWD STOP FITTING	4	DISCARD	3C/1
GC727-0006-1	FWD STOP FITTING	4	DISCARD	3C/1
GC727-0058-5	AFT STOP FITTING	1	DISCARD	3B/1
GC727-0058-6	AFT STOP FITTING	1	DISCARD	3B/1
MS207039-1-10	SCREW	4	RE-USE	3B/1
MS207039-1-15	SCREW	4	DISCARD	3C/1



ORG. NO.	REV
KGC991-1350	1-B

10: GX KGC991-1350 -B REL MAST 8 2008-10-29

SUPPL. B SB700-25-024-1350-B-S1-2

KGC991-1350 – Kit –Crew Seat Replacement
(Sheet 1 of 1, Rev. B, continued)

Basic Issue: Dec 15/2008

700-25-024
Page 10 of 10

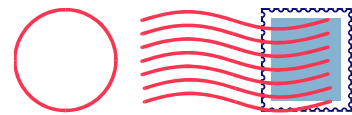
SERVICE BULLETIN EVALUATION FORM
 (YOUR IDEAS WILL HELP US PROVIDE BETTER BULLETINS)

SERVICE BULLETIN: <u>700-25-024</u>	ISSUE: <u>Basic</u>	DATED: <u>Dec 15/2008</u>
TITLE: Modification – Flight Crew Seats – Introduction of New Goodrich Crew Seats		

	STRONGLY DISAGREE	DISAGREE	NEUTRAL	AGREE	STRONGLY AGREE
<ul style="list-style-type: none"> • Instructions to do the Service Bulletin were accurate. Comments: 	<input type="checkbox"/>	<input type="checkbox"/>	<input type="checkbox"/>	<input type="checkbox"/>	<input type="checkbox"/>
<ul style="list-style-type: none"> • Illustration(s), figure(s), and/or kit drawing(s) were helpful to carry out instructions. Comments: 	<input type="checkbox"/>	<input type="checkbox"/>	<input type="checkbox"/>	<input type="checkbox"/>	<input type="checkbox"/>
<ul style="list-style-type: none"> • If a kit was required, did the kit contents received agree with the contents listed in the bulletin? Comments: 	<input type="checkbox"/>	<input type="checkbox"/>	<input type="checkbox"/>	<input type="checkbox"/>	<input type="checkbox"/>
<ul style="list-style-type: none"> • The loose parts listed under Paragraph 3 were easily procured. Comments: 	<input type="checkbox"/>	<input type="checkbox"/>	<input type="checkbox"/>	<input type="checkbox"/>	<input type="checkbox"/>
<ul style="list-style-type: none"> • Work was accomplished in the prescribed time. Comments: 	<input type="checkbox"/>	<input type="checkbox"/>	<input type="checkbox"/>	<input type="checkbox"/>	<input type="checkbox"/>
<ul style="list-style-type: none"> • Overall, I was satisfied with this Service Bulletin. Comments: 	<input type="checkbox"/>	<input type="checkbox"/>	<input type="checkbox"/>	<input type="checkbox"/>	<input type="checkbox"/>

<i>For administrative use only</i>	PLEASE SUPPLY US WITH THE FOLLOWING DATA AND FAX TO: (514) 855-7634 or E-MAIL TO: MTL_BBAD_SB_Evaluation@aero.bombardier.com	
522CZ	OPERATOR:	
	AIRCRAFT SERIAL NO.:	
	TELEPHONE:	
	FACSIMILE:	
	NAME: (Please print)	

THANK YOU FOR YOUR RESPONSE!
 PLEASE RETURN THIS COMPLETED EVALUATION FORM BY MAIL OR FAX



Bombardier Business Aircraft Customer Services (BBACS)

P.O. Box 6087, Station Centre-ville
Montréal, Québec, Canada H3C 3G9

Attention: Customer Support Department

SERVICE BULLETIN INCORPORATION SHEET – “700-25-024”

Upon completion of the Service Bulletin, please fill in this form and either fold and mail in the envelope provided, or fax to:(514) 855-8798, or e-mail to Fracas at fracas.montreal@aero.bombardier.com

NOTE: For configuration control purposes, please fill out one form for each Service Bulletin.

Service Bulletin Number	Rev.	* Parts Completed	COMPLIED WITH		Remarks
			YES	NO	
700-25-024	Basic	PART A	<input type="checkbox"/>	<input type="checkbox"/>	_____
“	“	PART B	<input type="checkbox"/>	<input type="checkbox"/>	_____
-	-	-	<input type="checkbox"/>	<input type="checkbox"/>	_____
-	-	-	<input type="checkbox"/>	<input type="checkbox"/>	_____

Actual hours to accomplish Service Bulletin: _____

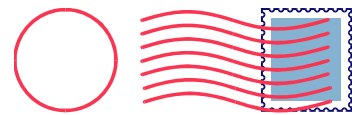
* **NOTES:** 1. Where the Service Bulletin is divided into a number of parts (e.g., PARTS A, B, C, D, etc.) which can be carried out separately, indicate only those parts completed at this time.

2. For repetitive checks (usually PART A) only the initial check should be reported unless otherwise stated in the Service Bulletin.

3. When more than one part is carried out at the same time, each part should be reported.

Is the aircraft enrolled on the CAMP computerized maintenance program?	Yes	No
	<input type="checkbox"/>	<input type="checkbox"/>

Aircraft Serial No.	_____	Aircraft Reg. No.	_____
Airframe Landings:	_____	Airframe Hours	_____
Incorporation Date	_____	Service Order No.	_____
	(dd/mm/yy)		
Facility & Location of Incorporation	_____		
Name	_____	Signature	_____
		Date	_____
			(dd/mm/yy)



Bombardier Business Aircraft Customer Services (BBACS)

P.O. Box 6087, Station Centre-ville
Montréal, Québec, Canada H3C 3G9

Attention: Customer Support Department, Maintenance Engineering
