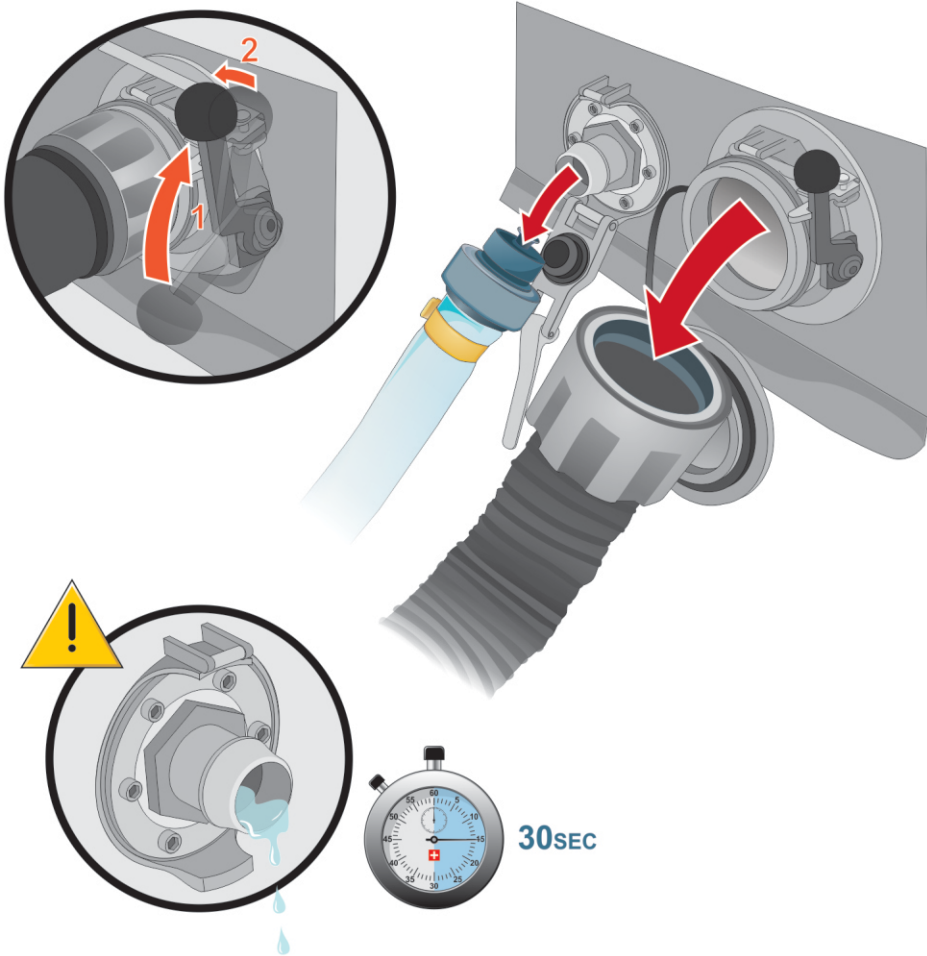
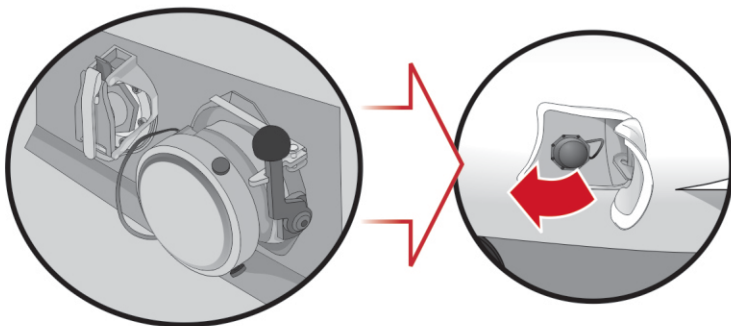


6



7



BOMBARDIER

© 2021 BOMBARDIER INC.

GLOBAL_Waste_Servicing_Guide

WASTE SERVICING GUIDE



Global 5500

Global 6500

GLOBAL 5000

GLOBAL 5000

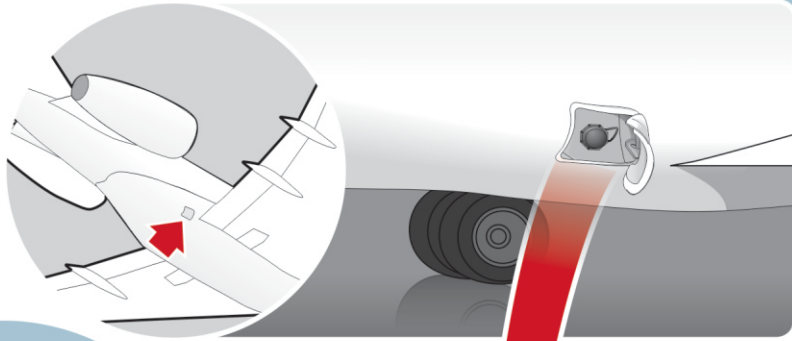
FEATURING GLOBAL VISION FLIGHT DECK

GLOBAL 6000

GLOBAL EXPRESS XRS

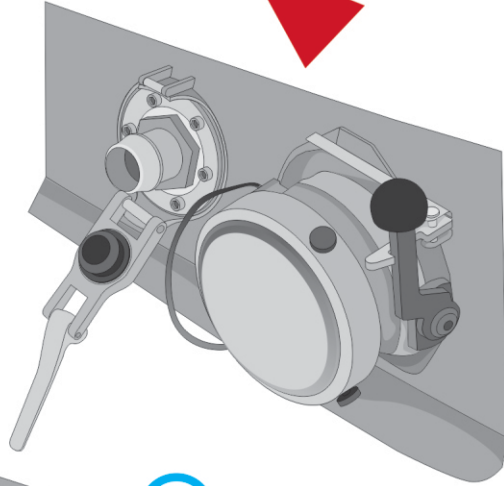
GLOBAL EXPRESS

This guide is intended only to assist ground personnel. Always follow the applicable instructions in the Supplemental Maintenance Manual (SMM) and obey all safety precautions when performing waste servicing procedures. In the event of a conflict between the instructions in this guide and the SMM, the SMM shall take precedence over this guide.

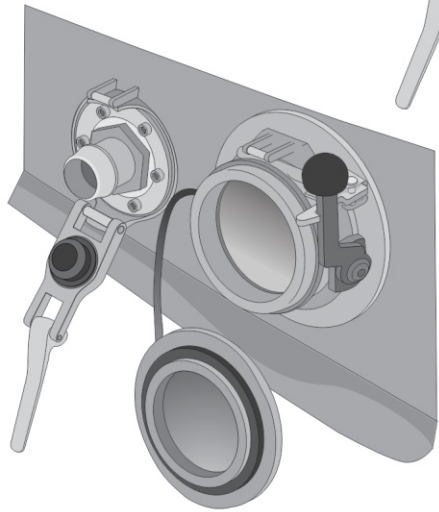


WEAR PROTECTIVE GLOVES AND GOGGLES

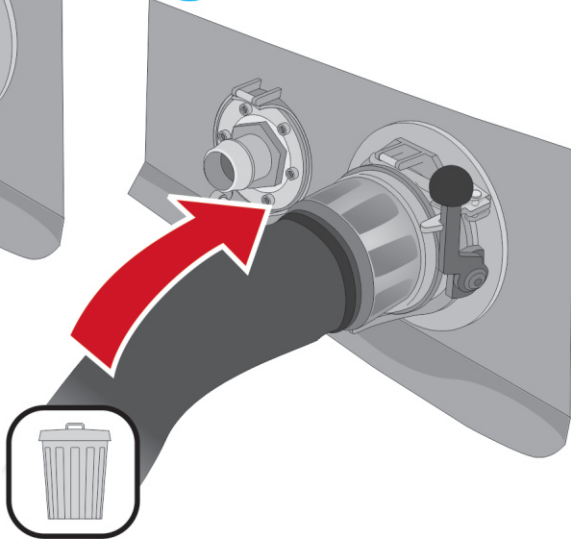
1



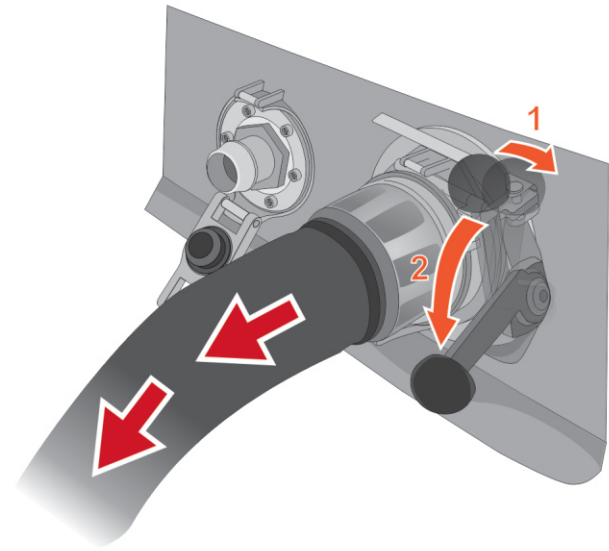
2



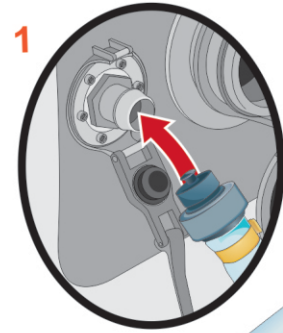
3



4



5

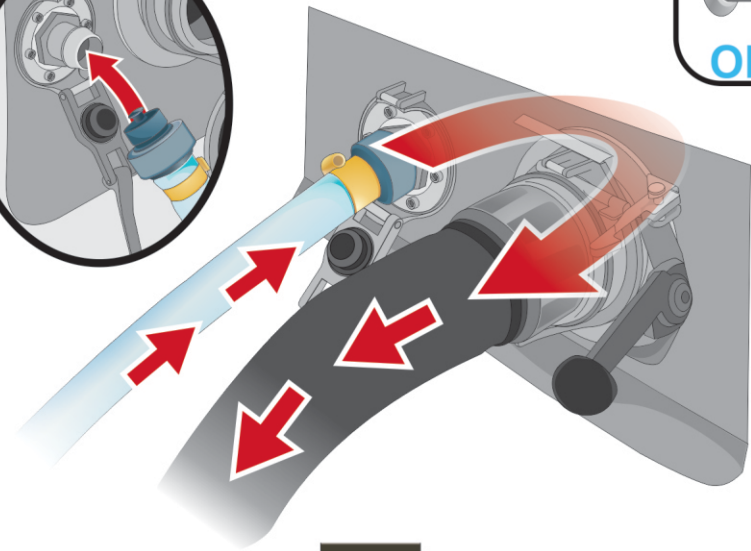


RINSE



1

2



2mins.

3

