

PIN #	COMPONENT	DESCRIPTION
J	RESISTOR (R1)	29.8K OHMS \pm 1%
H	RESISTOR (R2)	32.4K OHMS \pm 1%
X	RESISTOR (R3)	32.4K OHMS \pm 1%
G & W	THERMOSTAT (T1)	OPEN ON RISE \odot 71°C \pm 2.8°C
A & U	THERMOSTAT (T2)	OPEN ON RISE \odot 14°C \pm 2.8°C
A & E	THERMOSTAT (T3)	OPEN ON RISE \odot 14°C \pm 2.8°C
A, E & U	HEATER BLANKET	290 WATTS \odot 115 VAC
Y & K	THERMISTOR (S1)	2460 OHMS \pm 1%
M & a	THERMISTOR (S2)	2460 OHMS \pm 1%

Figure 2002 Electrical Connectors for Sensor Check

This page block gives all electrical schematics of the battery sensor.

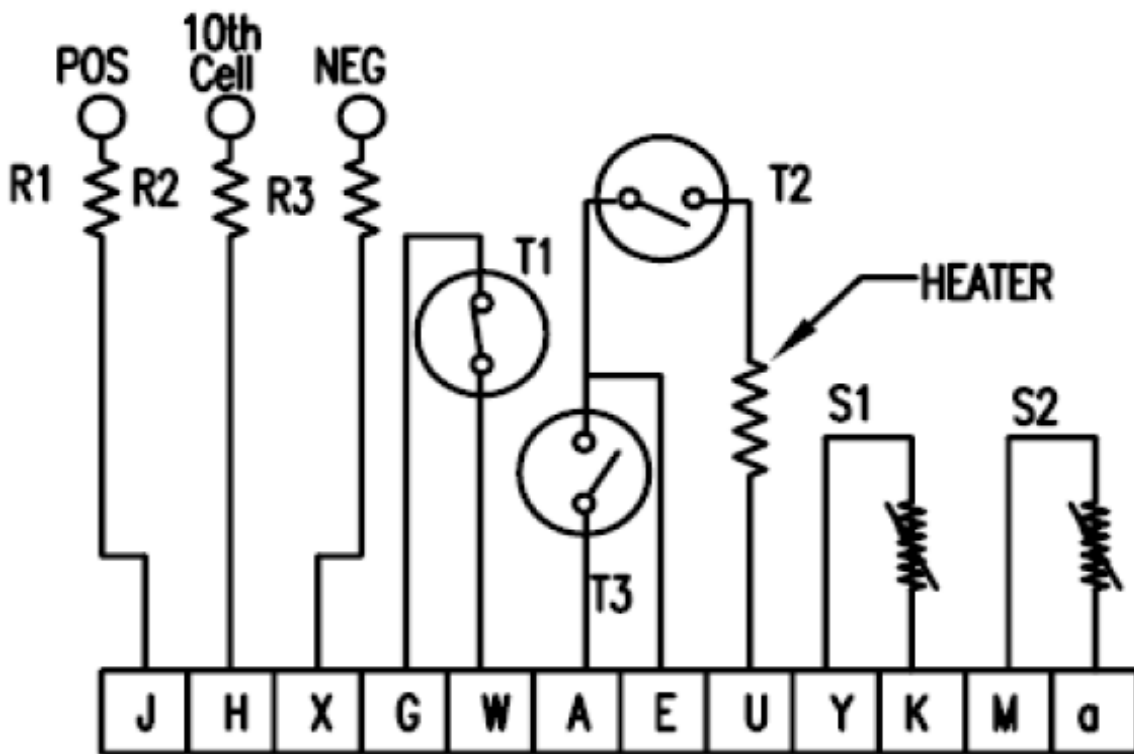


Figure 2001 Electrical sensor schematic